



**XT-912 MK2
ILLUSTRATED PARTS CATALOGUE**

Version # 1.3
Issue Date 09-07-07
Applicability: XT912B MK2 and MK1

Unit 22/30 Kalaroo Rd
Redhead 2290
New South Wales
Australia
Phone (+61) 2 49449199
Fax (+61) 2 49449399

Part # 108687

Copyright Notice

© Copyright Airborne Windsports Pty. Ltd. 2007

All rights reserved.

Except where the Copyright Act otherwise allows, no part of this parts catalogue may be reproduced, stored in a retrieval system in any form or transmitted by any means without prior permission in writing of Airborne Windsports Pty Ltd.

INTRODUCTION

WARNING

SOME PARTS WHICH ARE LISTED ARE COMPONENTS OF PARTS WHICH ARE NOT USER SERVICABLE. ONLY MAINTENANCE WHICH IS SPECIFIED IN THE MAINTENANCE MANUAL SHOULD BE ATTEMPTED AND ONLY THE EXACT SPARE SHOULD BE USED TO REPLACE PARTS. THE FOLLOWING DRAWINGS ARE PROVIDED AS A CONVIENIENCE TO AID IDENTIFICATION OF PARTS WHICH ARE USER MAINTAINABLE.

This manual should be used in conjunction with the correct maintenance manual, and repairs should only be carried out by competent people. Read the maintenance manual before proceeding.

This parts catalogue has been prepared to aid in the identification of components that may effect the airworthiness of the Airborne Edge XT 912-B Series of Trikes.

Drawings with various levels of detail are supplied that include all of the spare parts available – specific to the serial number identification of the base.

Most of the parts listed are available as spare parts. If a component is not listed then it may only be available as a complete assembly. For example spare parts are not available for the throttle cable, only the entire throttle cable assembly is supplied as a spare part.

All parts available are named and have part numbers, this is the identification system that should be used to order spares, eg: Shackle RF615 4mm, Part Number 100406, and the quantity required.

NB. Some parts may have been used from other trikes, and therefore have other model names in the title. The most important thing in ordering spare parts is the part number.

NOTE

Airborne data packages will be revised from time to time. Owners registered on AirBorne's database will be notified of any changes to data and directed to the AirBorne web site (<http://www.airborne.com.au/>) for the applicable pages. The amended pages should be printed and the prior page replaced in the folder as soon as possible. The amendment table should at that time be updated with the appropriate details and date. Revised pages will be sent by mail if requested.

TABLE OF CONTENTS

- 1 ASSY XT912 MK2 - Drawing # 7413**
 - 2 FRAME ASSY XT912 TYPE 3 - Drawing # 7411**
 - 2.1 Frame Sub-Assembly XT-912 MK2 - Drawing # 7406
 - 2.2 Seat Frame Sub-Assembly - Drawing # 5634
 - 2.3 Mast Assembly - Drawing # 5564
 - 2.4 Front Pole - Drawing # 5712
 - 2.5 Fuel Tank Sub Assem - Drawing # 5923
 - 2.6 Steering Linkage Sub-Asm - Drawing # 5627
 - 3 FRAME SUB-ASSEMBLY XT-912 MK1 - Drawing # 5787**
 - 3.1 Rear End Sub Assem XT-912 - Drawing # 5659
 - 3.2 Base Tube Sub Assem XT Grey - Drawing # 5632
 - 3.3 Seat Front Mount Sub Assem XT - Drawing # 5657
 - 3.4 Rear Swing Arm Sub Assem XT LHS - Drawing # 5635
 - 3.5 Rear Swing Arm Sub Assem XT RHS - Drawing # 5636
 - 3.6 Compression Strut Rear Assem XT - Drawing # 5606
- OWNERS OF TRIKE SERIAL NUMBERS 1 THRU 179 MANUFACTURED PRIOR TO MAY 2007 SHOULD REFER TO THE SUPPLEMENT CHAPTER 3. “Frame Sub-Assembly XT-912 MK1”. THESE DRAWINGS SHOULD BE CONSULTED INSTEAD OF SECTION 2.1 – “Frame Sub-Assembly XT-912 MK2”.**
- 4 SEAT, BELTS, SOFT SIDE ASSEMBLY XT - Drawing # 6225**
 - 5 ELECTRICAL WIRING - Drawing # 6300**
 - 5.1 Capacitor Regulator Sub-Assembly XT - Drawing # 6282
 - 5.2 Please read the note on the drawing for the new location of wires.
 - 6 WINDSCREEN / DASH SUB ASSEM - Drawing # 6899**
 - 6.1 Dash Sub Assem - Drawing # 5969
 - 6.2 Consol Assem - Drawing # 6578
 - 7 ENGINE XT-912 FOR ASSEM - Drawing # 6945**
 - 7.1 XT912-B Unique Engine Parts - Drawing # 6772
 - 8 ENGINE COMPONENTS ASSEM - Drawing # 5791**
 - 8.1 Engine Mount Isolation Assem - Drawing # 5400
 - 8.2 Radiator Assem - Drawing # 5685
 - 8.3 Radiator Overflow Bottle Assem - Drawing # 5698
 - 8.4 Exhaust Assem - Drawing # 5771
 - 8.5 Water Pipes Assem - Drawing # 5882
 - 8.6 Fuel Hose Assem - Drawing # 5897
 - 9 OIL TANK ASSEM - Drawing # 5857**

- 10 CHOKE CABLES - Drawing # 5426**

11 FRONT END SUB ASM XT STD TYPE 3 - Drawing # 7409

- 11.1 Fork Carrier Incl Bearings - Drawing # 6436
- 11.2 Front Fork Sub-Asm XT-Eyebolt - Drawing # 6736
- 11.3 Steering Dampener Asm - Drawing # 5610

12 MAST BRACE LOWER XT-912 - Drawing # 5713

13 PLACARDS AND STICKERS XT-912 - Drawing # 6590

- 13.1 Placard Set Generic XT-912 - Drawing # 6855
- 13.2 Sticker Set XT-912 Silver / Black - Drawing # 6860

14 POD ASSEMBLY XT912 - Drawing # 5965

- 14.1 Bracket Sub Assem - Drawing # 5755

15 WHEEL SPAT SUB ASSEM LHS MK2 - Drawing # 7403

- 15.1 WHEEL SPAT SUB ASSEM LHS MK1 - Drawing # 5789

NOTE:

OWNERS OF TRIKE SERIAL NUMBERS 1 THRU 179 MANUFACTURED PRIOR TO MAY 2007 SHOULD REFER TO THE SUPPLEMENT DWG # 5789 "WHEEL SPAT SUB ASSEM LHS MK1" INSTEAD OF DRAWING # 7403 – "WHEEL SPAT SUB ASSEM LHS MK2".

16 WHEEL SPAT SUB ASSEM RHS MK2 - Drawing # 7405

- 16.1 WHEEL SPAT SUB ASSEM RHS MK1 - Drawing # 5790

NOTE:

OWNERS OF TRIKE SERIAL NUMBERS 1 THRU 179 MANUFACTURED PRIOR TO MAY 2007 SHOULD REFER TO THE SUPPLEMENT DWG # 5790 "WHEEL SPAT SUB ASSEM RHS MK1" INSTEAD OF DRAWING # 7405 – "WHEEL SPAT SUB ASSEM RHS MK2".

17 BRAKE KIT DISK XT STD FITTED - Drawing # 7416

- 17.1 Gremica Front Wheel Asm XT No Brake - Drawing # 7414
- 17.2 Wheel 6IN Incl Tyre For Disk Brake - Drawing # 7400
- 17.3 Foot Throttle Lever Asm XT Disk Brake - Drawing # 7365
- 17.4 Brake Lever Asm XT Disk Brake - Drawing # 7362
- 17.5 Disk Brake Line Asm - Drawing # 7422
- 17.6 Disk Brake Small Parts For Spares - Drawing # 7420

18 BRAKE KIT DRUM XT STD FITTED - Drawing # 7418

- 18.1 Gremica Front Wheel Asm XT Drum Brake - Drawing # 7415
- 18.2 Foot Throttle Lever Asm XT 3 Hole - Drawing # 6774
- 18.3 Brake Lever Sub Asm XT Grey - Drawing # 5550
- 18.4 Wheel 6IN Incl Tyre for Disk Brake - Drawing # 7400

19 PROP BOLLY CARBON XT-912 - Drawing # 7424

20 PROP WARP DRIVE XT-912 - Drawing # 7439

21 CERTIFICATION KITS XT-912 BASE - Drawing # 6925

22 MISCELLANEOUS – NUTS AND BOLTS ETC

- 22.1 AN-3 Bolts - Drawing # 5449
- 22.2 AN-4 Bolts - Drawing # 5450
- 22.3 AN-5 Bolts - Drawing # 5493
- 22.4 AN-6 Bolts - Drawing # 5494
- 22.5 Metric Nuts - Drawing # 5495
- 22.6 UNF Nut Design Table - Drawing # 5506
- 22.7 Pop Rivets - Drawing # 5515
- 22.8 Roll Pins - Drawing # 5516
- 22.9 Socket Cap Screws UNF - Drawing # 5517
- 22.10 AN Wingnuts - Drawing # 5534
- 22.11 AN Nuts Full Nyloc - Drawing # 5535
- 22.12 Washers - Drawing # 5540
- 22.13 AN Nuts Half Nyloc - Drawing # 5561
- 22.14 Thimbles - Drawing # 5565
- 22.15 Socket Cap Screws Metric - Drawing # 5603
- 22.16 Metric Nuts Full Nyloc - Drawing # 5604
- 22.17 Cable Ties - Drawing # 5605
- 22.18 Metric Grub Screws - Drawing # 5631
- 22.19 Endcaps - Drawing # 5633
- 22.20 Glues and Sealants - Drawing # 5637
- 22.21 UNC Bolts - Drawing # 5660
- 22.22 Socket Cap Screws – Countersunk - Drawing # 5668
- 22.23 Socket Button Screws - Drawing # 5677
- 22.24 Spring Washers - Drawing # 5679
- 22.25 Split Rings - Drawing # 5720
- 22.26 Screws Self Tapping - Drawing # 5909
- 22.27 O-Rings - Drawing # 5932
- 22.28 Metric Bolts - Drawing # 5935
- 22.29 Axle Bolt Gremica Wheel - Drawing # 5962

23 OPTIONS – PARACHUTE, RADIO, SERVICE KIT

- 23.1 Parachute Sub-Assembly - Drawing # 5904
- 23.2 Radio Sub-Assembly - Drawing # 6587
- 23.3 Lynx Radio Options - Drawing # 6588
- 23.4 Rotax 912 25 Hour Service Kit - Drawing # 6714

24 RETROFIT KITS

- 24.1 RETRO KIT XTMK1 STD TO MK2 DISK - Drawing # 7457
- 24.2 RETRO KIT XTMK2 STD TO MK2 DISK - Drawing # 7465

NAVIGATING

This manual is constructed in a hierarchal manner, which is the same as a family tree, where the “Highest Level Drawing” of assembly is at the front of the manual, which is equivalent to the oldest member of the family tree, and it contains “Main Sub Chapters”, which are the equivalent of its children. In turn each of these “Main Sub Chapters” operates in the same way, whereby the order of the drawings that it contains defines the order “underneath” it, and so on.

NOTE

The item numbers do not always apply because not all of the next level of drawings are required. With some attention to the method of the system this manual is simple to navigate. The main thing to recognise is that each drawing underneath the “Main Sub Chapter” is pointed out by the balloon number on it so that the general area of the trike may be visually identified, and then the drawing number which is needed can be found.

EXAMPLE

For example if you were to require a new safety pin for the backup loop wingnut.

Step 1. Identify that it is a part of the frame assembly , which means that it is in chapter 1.

ITEM NO.	NAME	DWG	PART NO.	QTY.
1	FRAME ASSY XT912	5600	105320	1
2	POD ASSEMBLY XT-912 - COLOUR	5965	105790	1
3	SEAT, BELTS & SOFT SIDE ASSEMBLY XT	6225	105860	1
4	WIRING ELECTRICAL ASSEM XT	6300	105900	1

**Item # 1
Frame Assy,
Drawing # 5600**

Rev	AMENDMENTS	Date

PART NO. 105485
 LAST ACCESSED: Friday, 19 November 2004
 ALL DIMENSIONS IN MILLIMETERS UNLESS STATED OTHERWISE

XT 912 TRIKE BASE			
Drawn By	Scale	Date	
Cris	1:15	02/06/03	

5703
SHEET 1 of 1

Step 2. So now if you go to that drawing (5600) then you may use the balloon identifiers to find the next drawing number that is required. It could be on either 3 or 4, so try 3 (5564) first.

ITEM NO.	NAME	DWG	PART NO.	QTY.
1	FRAME SUB-ASSEM XT 912	5787	105586	1
2	SEAT FRAME SUB-ASSEM GREY	5634	105429	1
3	MAST ASSEMBLY EDGE XT	5564	105283	1
4	FRONT POLE SUB-ASSEM XT	5712	105499	1
5	LOWER MAST BRACE SUB-ASSEM XT	5713	105500	1
6	WHEEL SPAT SUB-ASSEM LHS XT	5789	105598	1
7	WHEEL SPAT SUB-ASSEM RHS XT	5790	105599	1
8	ENGINE COMPONENTS ASSEMBLY XT-912	5791	105600	1
9	GREMICA FRONT WHEEL ASSEMBLY XT	5950	105781	1
10	BATTERY SUB-ASSEMBLY XT	6226	105851	1
11	THROTTLE CABLE SUB-ASSEMBLY XT-912	5425	105773	1
12	CHOKE CABLE ASSEM XT912 RHS	5426	105757	1
13	PARACHUTE SUB-ASSEM BRS XT	5904	105723	1

NOTE:
WHEN ATTACHING SPATS, TIGHTEN WHEEL RETAINING BOLT TO APPROXIMATE POSITION. ATTACH SPAT THEN FULLY TIGHTEN THE INSIDE AXLE NUT TO LOCK IN PLACE

Use Balloon Identifier for the 1st Level Drawing. In this case Item 3 - Mast Assembly, Drawing # 5564.

NOTE: SPAT NOT SHOWN

UPDATE GJP FORMS WITH REV CHANGE

REV	AMENDMENTS	DATE
1	UPDATE TO REFLECT MANUFACTURE	10/07/03

FRAME ASSY XT912: PART NO. 105320 -

Drawn By	Scale	Date		5600 SHEET 1 of 1
C/s	1:15	06/05/03		

Figure 2 Chapter 1. Frame Assembly, Drawing # 5600

Step 3. Order!

Now that the actual component has been found the Part Number **AND THE DESCRIPTION** can be recorded in order to make the spare part order.

E.g. Safety Pin, Part # 100920.

ITEM NO.	NAME	DWG	PART NO.	QTY.
1	MAST TUBE VERT SUB ASSY XT	5588	105321	1
2	BACKUP LOOP - TRIKE	4640	100865	1
3	MAST TOP ADAPTER SUB-ASSEM XT	5792	105602	1
4	BOLT MAST TOP SAFETY EDGE	5555	102579	1
5	BRACKET A FRAME TOP TYPE 1 STAIN	7179	100762	1
6	SADDLE 60MM TUBE	7166	100080	1
7	BOLT AN5-31 a	5493	100022	1
8	BOLT AN4-20	5450	105330	1
9	WASHER SS 3-8X 3-4"	5540	100924	1
10	WASHER AN6	5540	100044	8
11	WASHER AN5	5540	100043	1
12	NUT NYLOC AN6 FULL	5535	100038	1
13	NUT NYLOC AN5 FULL	5535	100036	1
15	Washer SS Square A-Frame	3047	101185	1
16	WINGNUT AN6	5534	101065	1
17	SAFETY PIN	5545	100920	2
18	WINGNUT AN4	5534	102472	1
19	HEART BOLT 35 ASSEMBLY	6559	106671	1

ITEM # 2 "BACKUP LOOP TRIKE" IS ASSEMBLED WITH THE MAST BETWEEN THE TWO SETS OF AN6 WASHERS (ITEM 10). WHERE THERE ARE SEVEN ON THE RHS AND 1 ON THE LHS.

**Visually identify the component
And match it to the part number given in the Bill of Materials.**

Rev	AMENDMENTS	Date	PART NO. 105283
1	MAST TOP ADAPTER SUB-ASSEM ADDED	11/7/03	LAST ACESSED: Friday, 26 November 2004 ALL DIMENSIONS IN MILLIMETERS UNLESS STATED OTHERWISE
2	BOLT AND DIRECTION CHANGED	4/02/04	

Drawn By	Scale	Date
Simon	1:12	05/05/03

5564
SHEET 2 of 2

Figure 3 Identify the actual component required

1 ASSY XT912 MK2

- Drawing # 7413

NOTE THAT ITEM # 6 PLACARDS AND STICKERS XT-912 SILVER MAY BE SUBSTITUTED WITH PART NO. 107377, WHERE BLACK STICKERS ARE REQUIRED.

NOTE:
ALTERNATIVES AND OPTIONS ARE LISTED AT THE BOTTOM OF THE BOM, BEGINNING AT THE MUDGUARD ASM.

OPTIONS ONLY AVAILABLE FOR LIGHTSPORT AIRCRAFT ARE NOT LISTED ON THIS DRAWING SEE O106044.doc

ITEM NO.	NAME	DWG PART NO.	QTY.
1	TRIKE BASE FRAME ASM XT-912 TYPE 3	7411 108358	1
2	SOFT SIDE ASM XT STD	6225 108850	1
3	WIRING ELECTRICAL ASSEM XT	6300 105900	1
4	WINDSCREEN / DASH SUB ASSEM XT	6899 107514	1
5	TUBE PVC CLEAR 6mm x 45L	5583 105424	4
6	CABLE TIE (SHORT) 98MM	5605 101192	8
7	ENGINE 912XT FOR TRIKE BASE ASM	6945 107814	1
8	ENGINE COMPONENTS ASSEMBLY XT-912	5791 105600	1
9	OIL TANK ASSEMBLY XT-912	5857 105664	1
10	CHOKE CABLE ASSEMBLY XT-912 LHS	5426 105756	1
11	CHOKE CABLE ASSEMBLY XT-912 RHS	5426 105757	1
12	FRONT END SUBASM XT STD TYPE 3	7409 108360	1
13	MAST BRACE LOWER SUBASM XT912	5713 105500	1
14	BATTERY SUB-ASSEMBLY XT	6226 105851	1
15	PLACARDS AND STICKERS XT-912	6590 106782	1
16	MUDGUARD EDGE XT COMPLETE TBA	6922 102933	1
17	POD ASSEMBLY XT-912 - COLOUR	5965 105790	1
18	WHEEL SPAT SUBASM LHS XT MK2	7403 108438	1
19	WHEEL SPAT SUBASM RHS XT MK2	7405 108439	1
20	BRAKE KIT DISK XT STD FITTED	7416 108419	1
21	BRAKE KIT DRUM XT STD FITTED	7418 108418	1
22	PROP INSTALLATION BOLLY LH 912 D-TUF	7424 108422	1
23	PROP INSTALLATION BOLLY LH 912 STND	7424 108421	1
24	PARACHUTE SUB-ASSEMBLY BRS XT	5904 105723	1

- NOTES:
- DATA PLATE IS RIVETED TO THE MAST BLOCK. SEE DWG # 5658 FOR MORE DETAIL IF NECESSARY.
 - THE BOLTS FOR THE WINDSCREEN ARE SUPPLIED WITH THE POD KIT.
 - A CERTIFICATION KIT MUST BE SUPPLIED WITH THIS BASE; SEE DWG # 6925.
 - THE CABLE TIES AND PVC TUBES LISTED ARE ADDED TO THE CARBURETTORS AFTER THE ENGINE IS TEST RUN. SEE DWGS 5833 AND 5834 FOR DETAILED PLACEMENT INFORMATION.

COLOUR VARIATION PART NUMBERS EXIST:

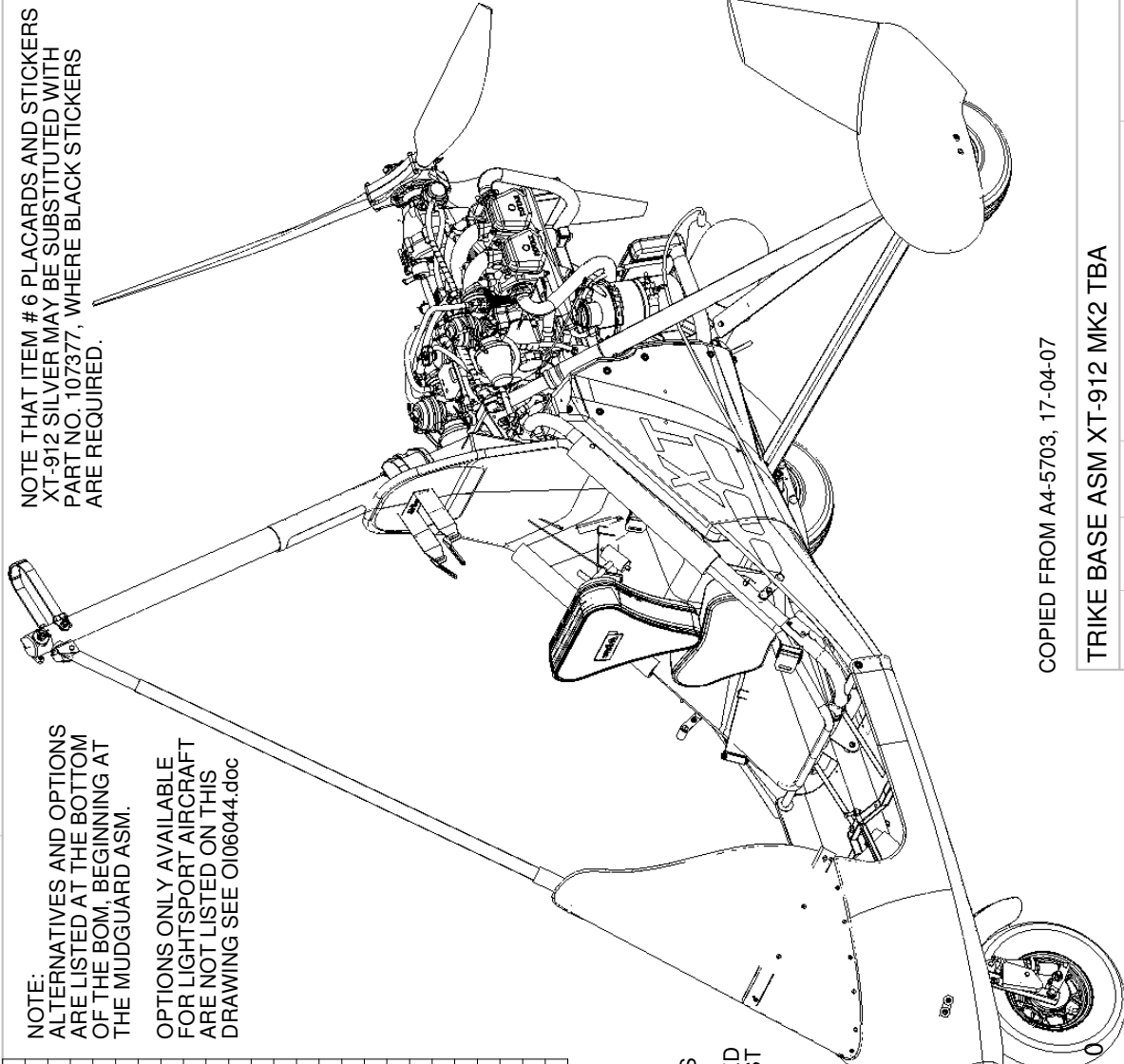
- SEE 0604401.doc FOR OTHER OPTIONS
- TRIKE BASE ASSEM XT-912 MK2 - BLACK 108399
- TRIKE BASE ASSEM XT-912 MK2 - BLUE 108397
- TRIKE BASE ASSEM XT-912 MK2 - CUSTOM 108401
- TRIKE BASE ASSEM XT-912 MK2 - MET SILVER 108400
- TRIKE BASE ASSEM XT-912 MK2 - RED FERRARI 108395
- TRIKE BASE ASSEM XT-912 MK2 - RED MICA 108394
- TRIKE BASE ASSEM XT-912 MK2 - WHITE 108396
- TRIKE BASE ASSEM XT-912 MK2 - YELLOW 108398
- TRIKE BASE ASSEM XT-912 MK2 - TBA 108354

Rev	AMENDMENTS	Date

PART NO. 108354 - 0

LAST ACCESSED: Monday, 9 July 2007

ALL DIMENSIONS IN MILLIMETERS UNLESS STATED OTHERWISE



COPIED FROM A4-5703, 17-04-07

TRIKE BASE ASM XT-912 MK2 TBA

Drawn By	Scale	Date	7413
Simon	1:15	17-04-07	SHEET 1 of 1



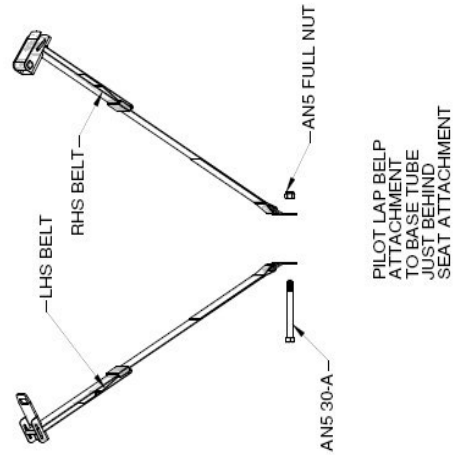
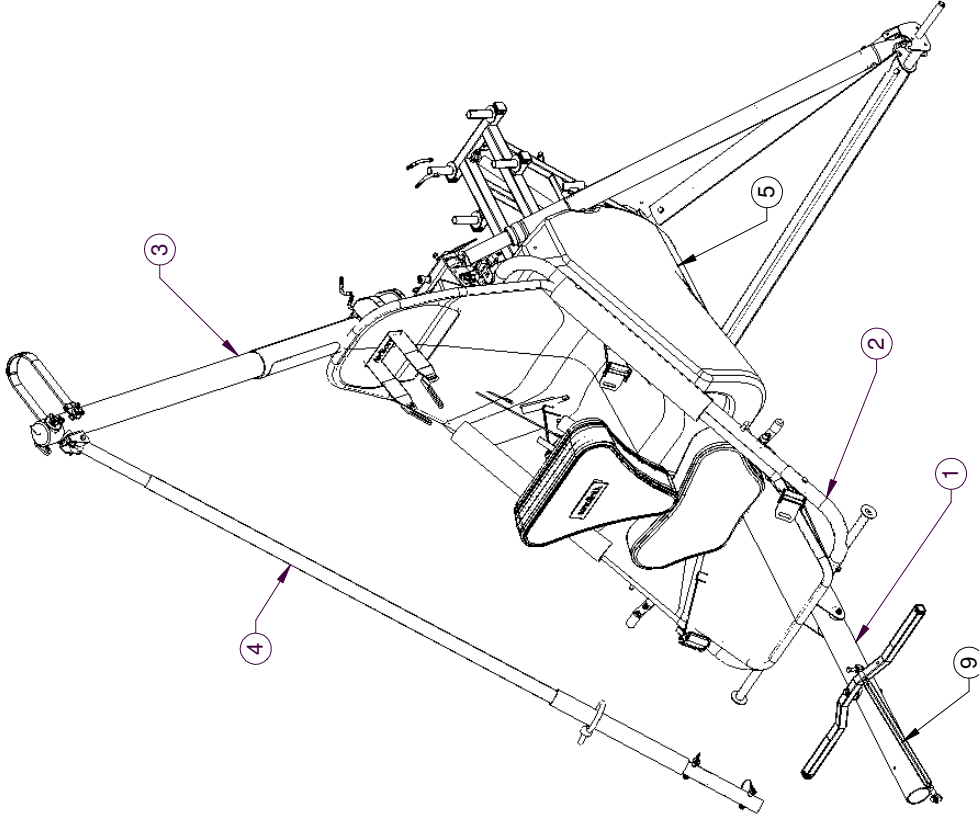
2 FRAME ASSY XT912 TYPE 3 - Drawing # 7411

2.1	<i>Frame Sub-Assembly XT-912 MK2</i>	-	<i>Drawing # 7406</i>
2.1.1	Rear End Sub-Assembly	-	Drawing # 5659
2.1.1.1	Seat Mast Block Sub Assem XT	-	Drawing # 5658
2.1.2	Base Tube Sub-Assembly	-	Drawing # 5632
2.1.3	Seat Front Mount	-	Drawing # 5657
2.1.4	Rear Swing Arm LHS MK2	-	Drawing # 7398
2.1.4.1	Hub Assembly Rear Edge XT LHS MK2	-	Drawing # 7392
2.1.5	Rear Swing Arm RHS MK2	-	Drawing # 7399
2.1.5.1	Hub Assembly Rear Edge XT RHS MK2	-	Drawing # 7391
2.1.6	Compression Strut Rear Assembly MK2	-	Drawing # 7397
2.2	<i>Seat Frame Sub-Assembly</i>	-	<i>Drawing # 5634</i>
2.2.1	Over Centre Latch With Safety	-	Drawing # 5708
2.2.2	Throttle Lever Sub-Assembly	-	Drawing # 5676
2.2.3	Choke Lever Sub-Assembly	-	Drawing # 5675
2.2.4	Ignition Switch Sub-Assembly	-	Drawing # 5670
2.2.5	Fuel Tap Bracket	-	Drawing # 5669
2.3	<i>Mast Assembly</i>	-	<i>Drawing # 5564</i>
2.3.1	Mast Tube Vert Sub-Assembly	-	Drawing # 5588
2.3.1.1	Heart Bolt 35 Assembly	-	Drawing # 6559
2.4	<i>Front Pole</i>	-	<i>Drawing # 5712</i>
2.5	<i>Fuel Tank Sub Assem</i>	-	<i>Drawing # 5923</i>
2.6	<i>Steering Linkage Sub-Asm</i>	-	<i>Drawing # 5627</i>

NOTE:

OWNERS OF TRIKE SERIAL NUMBERS 1 THRU 179 MANUFACTURED PRIOR TO MAY 2007 SHOULD REFER TO THE SUPPLEMENT CHAPTER 3. "Frame Sub-Assembly XT-912 MK1". THESE DRAWINGS SHOULD BE CONSULTED INSTEAD OF SECTION 2.1 – "Frame Sub-Assembly XT-912 MK2".

ITEM NO.	NAME	DWG	PART NO.	QTY.
1	FRAME SUBASM XT-912 MK2	7406	108444	1
2	SEAT FRAME SUB-ASSEMBLY XT GREY	5634	105429	1
3	MAST ASSEMBLY EDGE XT	5564	105283	1
4	FRONT POLE SUB-ASSEMBLY XT	5712	105499	1
5	FUEL TANK SUB-ASSEM XT	5923	105729	1
6	FUEL TANK BREATHER ASSEM XT	5938	105762	1
7	SKT CAP SCREW M 10 X 30 DRILLED	5603	105944	1
8	WASHER SS 3-8 X 3-4"	5540	100924	1
9	STEERING LINKAGE SUB-ASSEMBLY GREY	5627	105398	1
10	WIRING LOOM MAIN SUB-ASSEM XT	6280	105953	1
11	SEAT BELT LAP FRONT XT SUB-ASSEM LHS	5645	105407	1
12	SEAT BELT LAP FRONT XT SUB-ASSEM RHS	5646	105408	1
13	BOLT AN5-30 a	5493	100021	1
14	MAST HEAD REST PADDING COMPLETE XT	6290	106532	1
15	NUT NYLOC AN5 FULL	5535	100036	1
16	SEAT CUSHION COMPLETE - GREY	5981	103348	1
17	SEAT BACK REST COMPLETE - BLACK	6200	102050	1
18	THROTTLE CABLE SUB-ASSEMBLY XT-912	5425	105773	1
19	WIRING LOOM IGNITION WITH CRIMPS XT	6287	106655	1



NOTE: WHERE A TUNDRA WHEEL ASSEMBLY IS REQUIRED PLEASE ORDER PART # 108119, SEE DWG # 6979 FOR INDIVIDUAL PARTS SUCH AS A REPLACEMENT TYRE.

UPDATE GJP FORMS WITH REV CHANGE

REV	AMENDMENTS	DATE

COPIED FROM A4-7333, 12-04-07

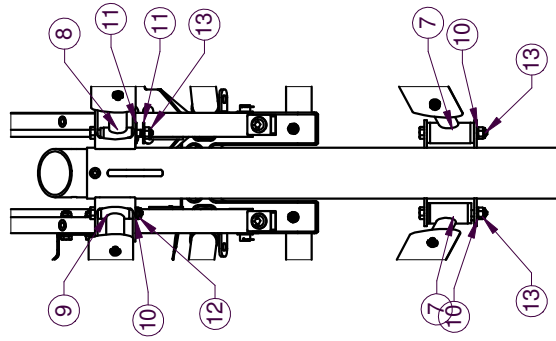
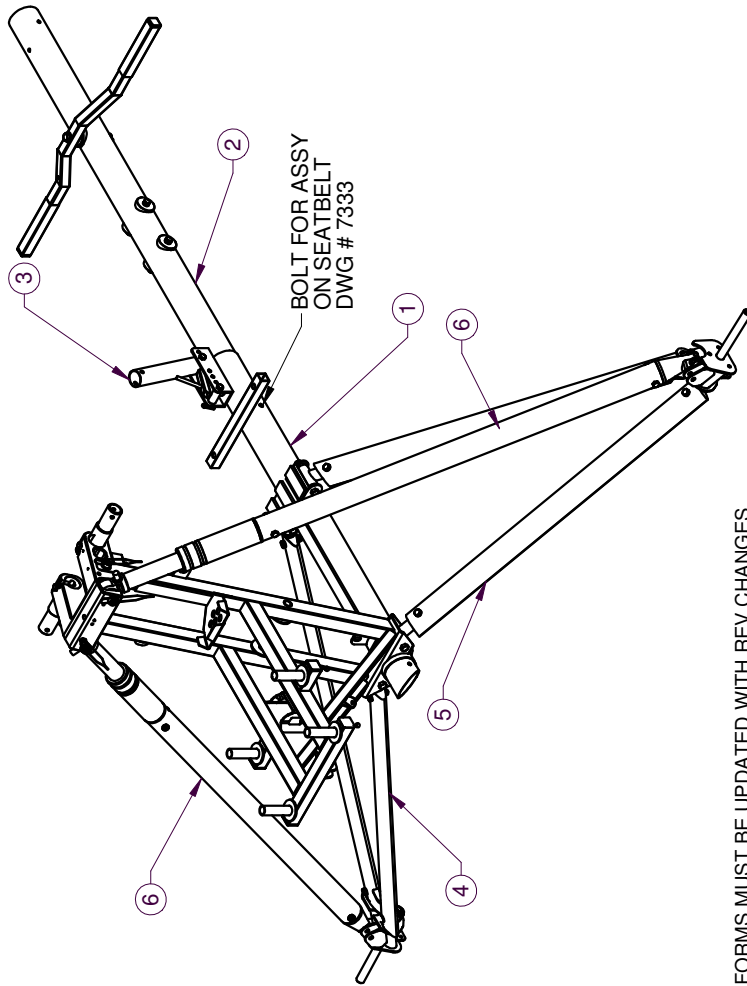
TRIKE BASE FRAME ASM XT-912 TYPE 3

PART NO. 108358 - 0

Drawn By Simon	Scale 1:15	Date 12-04-07	7411 SHEET 1 of 1
-------------------	---------------	------------------	----------------------



ITEM NO.	NAME	DWG PART NO.	QTY.
1	REAR END SUB-ASSEMBLY XT 912	5659 105447	1
2	BASE TUBE SUBASSEM EDGE XT GREY	5632 105402	1
3	SEAT FRONT MOUNT SUB-ASSEM XT	5657 105445	1
4	REAR SWING ARM SUBASM XT MK2 LHS	7398 108445	1
5	REAR SWING ARM SUBASM XT MK2 RHS	7399 108446	1
6	COMPRESSION STRUT REAR ASM XT MK2	7397 108447	2
7	BOLT AN5-30 a	5493 100021	2
8	BOLT AN5-26 a	5493 104713	1
9	BOLT AN5-22 a	5493 100017	1
10	WASHER AN5	5540 100043	3
11	WASHER SS 5-16 X 1" X 16g	5540 100714	2
12	NUT NYLOC AN5 HALF	5561 100037	1
13	NUT NYLOC AN5 FULL	5535 100036	3



UNDER VIEW
STRUT TO REAR BOLTS

NOTE: GJP FORMS MUST BE UPDATED WITH REV CHANGES

Rev	AMENDMENTS	Date

PART NO. 108444 - 0

LAST ACCESSED: Monday, 9 July 2007

ALL DIMENSIONS IN MILLIMETERS UNLESS STATED OTHERWISE

COPIED FROM A4-5787, 11-04-07

FRAME SUBASM XT-912 MK2

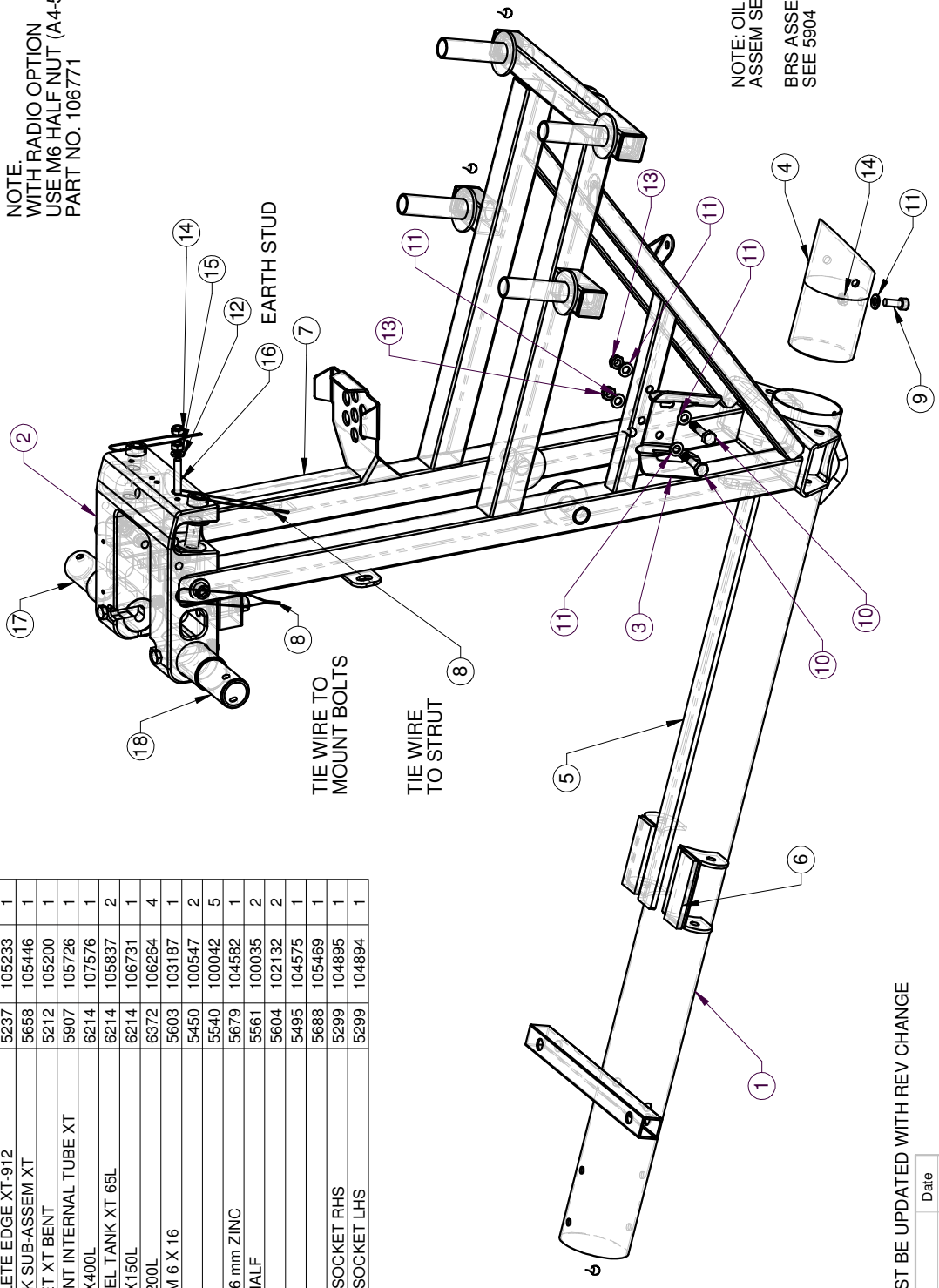
Drawn By	Scale	Date
Simon	1:12	11-04-07

7406
SHEET 1 of 1



ITEM NO.	NAME	DWG	PART NO.	QTY.
1	REAR END COMPLETE EDGE XT-912	5237	105233	1
2	SEAT MAST BLOCK SUB-ASSEM XT	5658	105446	1
3	OIL TANK BRACKET XT BENT	5212	105200	1
4	PARACHUTE MOUNT INTERNAL TUBE XT	5907	105726	1
5	FOAM BUFFER 25X400L	6214	107576	1
6	FOAM BUFFER FUEL TANK XT 65L	6214	105837	2
7	FOAM BUFFER 25X150L	6214	106731	1
8	TIE WIRE - 0.8D x 200L	6372	106264	4
9	SKT CAP SCREW M 6 X 16	5603	103187	1
10	BOLT AN4-12 a	5450	100547	2
11	WASHER AN4	5540	100042	5
12	SPRING WASHER 6 mm ZINC	5679	104582	1
13	NUT NYLOC AN4 HALF	5561	100035	2
14	NUT NYLOC M 6	5604	102132	2
15	NUT M6 SS 316	5495	104575	1
16	STUD M6x34 SS	5688	105469	1
17	XT OVERCENTER SOCKET RHS	5299	104895	1
18	XT OVERCENTER SOCKET LHS	5299	104894	1

NOTE:
WITH RADIO OPTION
USE M6 HALF NUT (A4-5604)
PART NO. 106771



TIE WIRE TO
MOUNT BOLTS

TIE WIRE
TO STRUT

NOTE: OIL TANK
ASSEM SEE 5857
BRS ASSEM
SEE 5904

NOTE: GJP FORMS MUST BE UPDATED WITH REV CHANGE

Rev	AMENDMENTS	Date
4	EARTH STUD ADDED	7/07/04
5	1/4 SPRING WASHER NOW 6mm DCR 2043	18/10/04
6	DCR 2201, MOV PRTS FROM SEAT BLK ASSY	25-01-06
7	DCR 2217, CHG FOAM LENGTH.	10-02-06
8	DCR 2294, CHG ASM SEQ. PARTS TO 5791.	17-05-07

PART NO. 105447 -

LAST ACCESSED: Monday, 9 July 2007

ALL DIMENSIONS IN MILLIMETERS UNLESS STATED OTHERWISE

REAR END SUB-ASSEMBLY XT 912

Drawn By	Scale	Date
Cris	1:5	10/07/03

AirBorne
AUSTRALIA

5659
SHEET 1 of 1

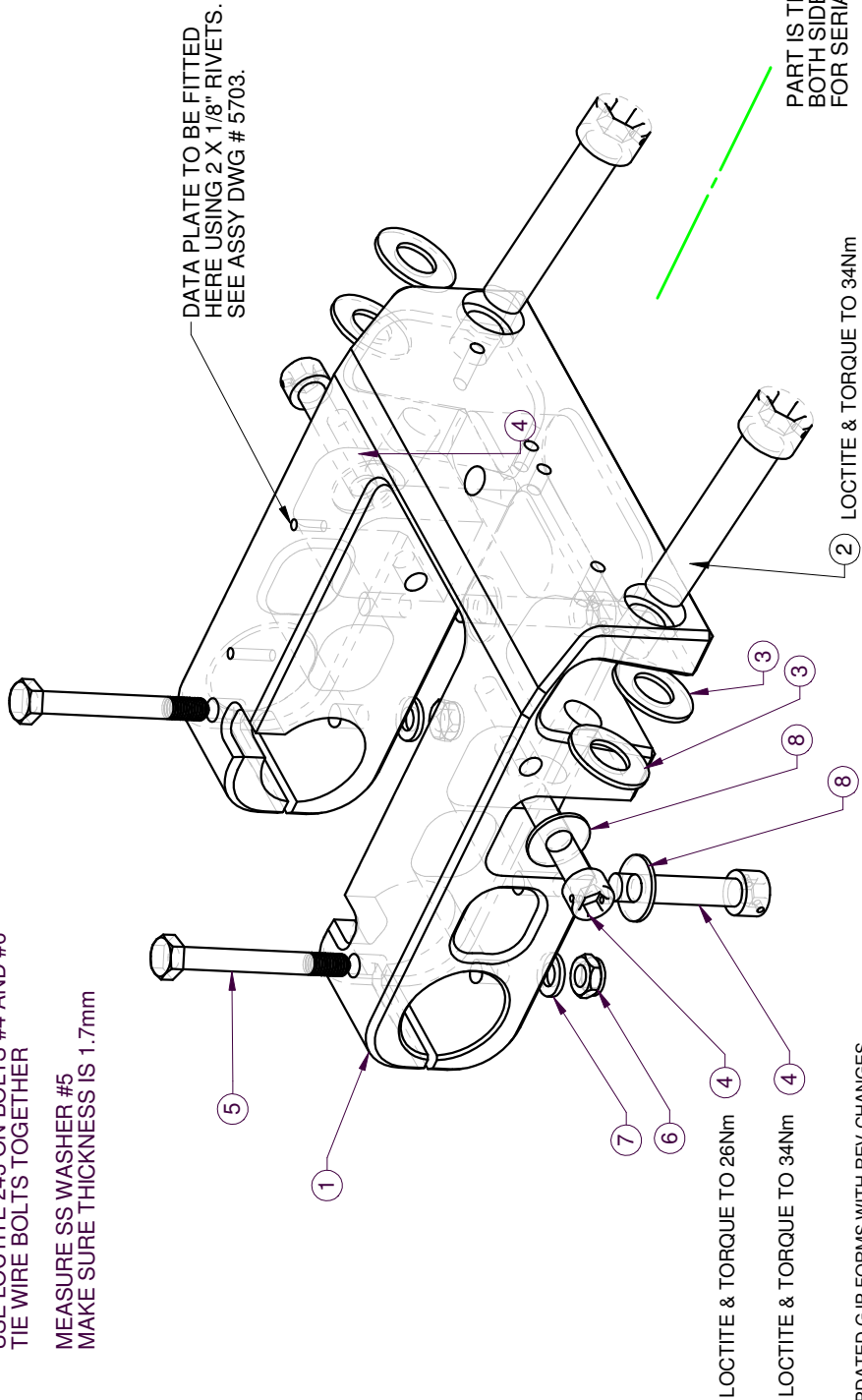
ITEM NO.	NAME	DWG	PART NO.	QTY.
1	SEAT MAST BLOCK XT	5234	104734	1
2	SKT CAP SCREW M 12 X 60 DRILLED	5603	106448	2
3	WASHER SS 1-2 X 1" 304 FLAT	5540	100093	4
4	SKT CAP SCREW M 8 X 40 DRILLED	5603	106449	4
5	BOLT AN4-22 a	5450	100549	2
6	NUT NYLOC AN4 HALF	5561	100035	2
7	WASHER AN4	5540	100042	2
8	WASHER SS 5-16 X 3-4"	5540	102332	4

ASSEMBLY NOTES:

- TORQUE SETTING:
- HORIZONTAL M8 CAP SCREWS 26 N.m (19 ft.lbs) #6
- VERTICAL M8 CAP SCREWS 34 N.m (19 ft.lbs) #6
- M12 CAP SCREWS 34 N.m (25 ft.lbs) #4 (SEE ENGRPT 03/115)

USE LOCTITE 243 ON BOLTS #4 AND #6
TIE WIRE BOLTS TOGETHER

MEASURE SS WASHER #5
MAKE SURE THICKNESS IS 1.7mm



DATA PLATE TO BE FITTED
HERE USING 2 X 1/8" RIVETS.
SEE ASSY DWG # 5703.

PART IS THE SAME
BOTH SIDES, EXCEPT
FOR SERIAL PLATE

LOCTITE & TORQUE TO 26Nm

LOCTITE & TORQUE TO 34Nm

2 LOCTITE & TORQUE TO 34Nm

SEAT MAST BLOCK SUB-ASSEM XT	
Drawn By	Date
Cris	20/05/03
Scale	1:1.8
5658 SHEET 1 of 1	

PART NO. 105446 -

LAST ACCESSED: Monday, 9 July 2007

ALL DIMENSIONS IN MILLIMETERS UNLESS STATED OTHERWISE

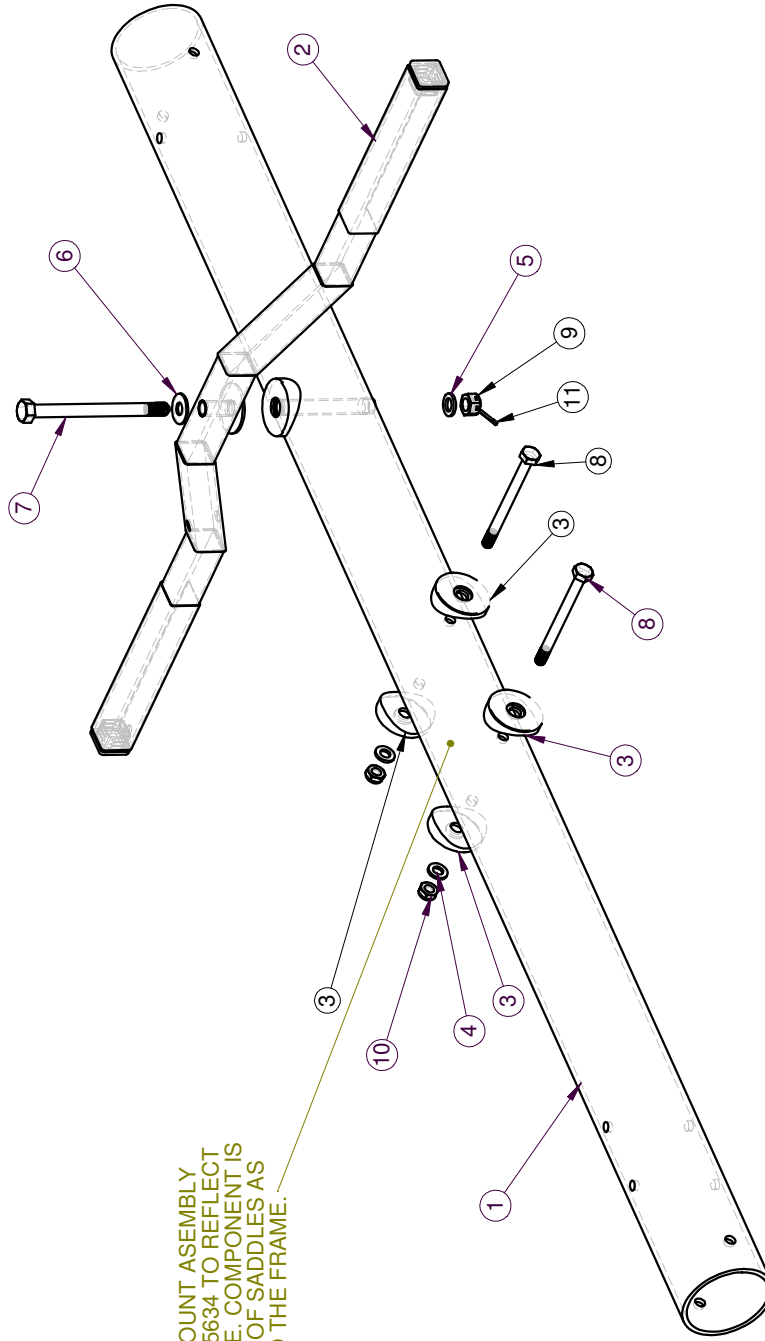
Rev	AMENDMENTS	Date
1	NEW SERIAL PLATE FROM TRIKE BASE # XXX	18/10/04
2	NEW DATA PLATE PART # FOR XT-582, DCR 2175	26-09-05
3	DCR 2201, MOVED PARTS TO 5703 AND 5634	19-01-06

UPDATED GJP FORMS WITH REV CHANGES

PART NO. 105402 - BASE TUBE SUB-ASSEMBLY XT GREY

ITEM NO.	NAME	DWG	PART NO.	QTY.
1	BASE TUBE EDGE XT INCL FITTINGS	5231	104727	1
2	REAR STEERING ARM TYPE 2 GREY	5620	105392	1
3	SADDLE 60MM TUBE	7166	100080	4
4	WASHER AN4	5540	100042	2
5	WASHER AN5	5540	100043	1
6	WASHER SS 5-16 X 3-4"	5540	102332	1
7	BOLT AN5-36	5493	106618	1
8	BOLT AN4-31	5450	100631	2
9	NUT AN5 CASTLE	6297	101182	1
10	NUT NYLOC AN4 HALF	5561	100035	2
11	SPLIT PIN M2.0 x 20	6296	100308	1

MOVED SEAT BASE MOUNT ASSEMBLY PART # 104941 TO A4-5634 TO REFLECT ASSEMBLY SEQUENCE. COMPONENT IS BOLTED ON OUTSIDE OF SADDLES AS THE SEAT IS ADDED TO THE FRAME.



UPDATE GJP FORMS WITH REV CHANGE

Rev.	AMENDMENTS	Date
1	WASHERS DELETED, BOLT CHANGED	24/02/04
2	SHEET NAME CHANGED + BUSH ADDED	27/08/04
3	CASTLE NUT/BOLT + SPLIT PIN (OCR 2009)	19-01-06
4	DCR 2201, MOVED PART TO 5634	18-09-06
5	DCR 2262, ASM SEG CHANGE	

LAST ACCESSED: Monday, 9 July 2007

ALL DIMENSIONS IN MILLIMETERS UNLESS STATED OTHERWISE

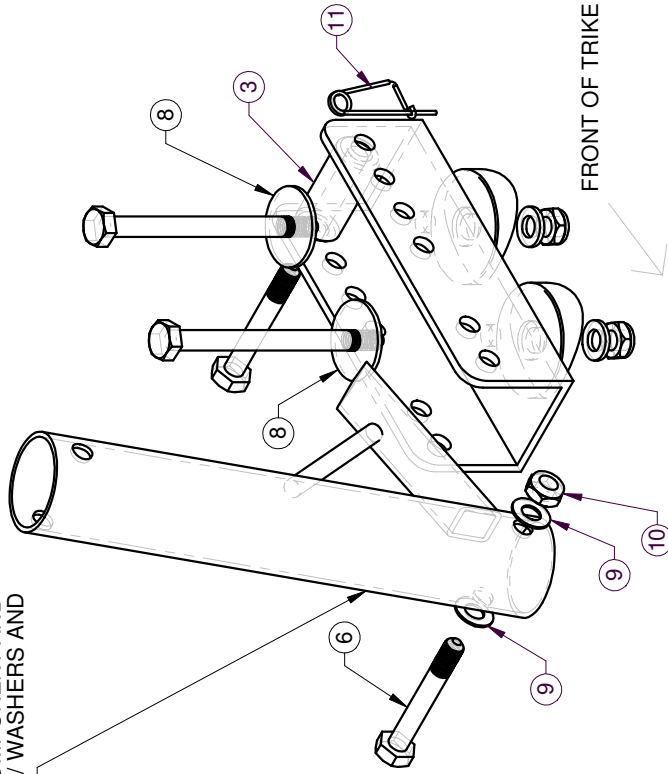
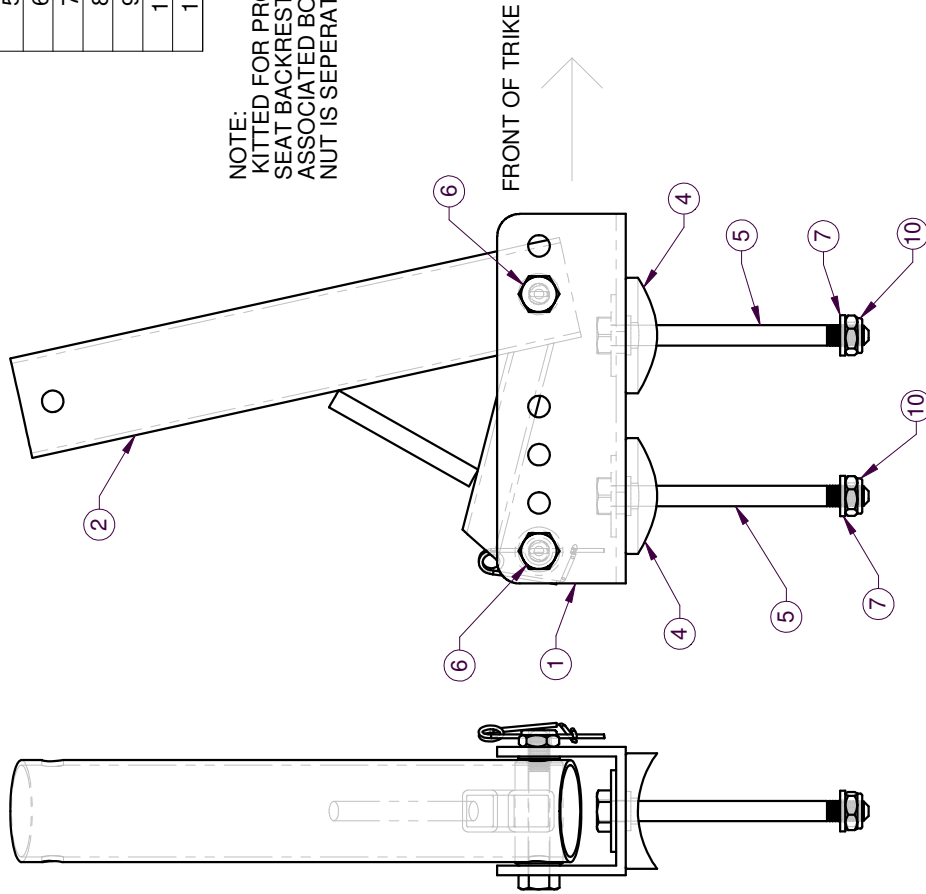
BASE TUBE SUB-ASSEMBLY XT

Drawn By	Scale	Date	5632 SHEET 1 of 1
Cris	1:4	13/05/03	



ITEM NO.	NAME	DWG PART NO.	QTY.
1	SEAT B-REST MOUNT CHANNEL-(REF TC 4400)	4400	1
2	SEAT BRACKET COMPONENT - (REF TC A4-4403)	4403	1
3	SEAT BACKREST MOUNT BUSH	5638	1
4	SADDLE 60MM TUBE	7166	2
5	BOLT AN4-31	5450	2
6	BOLT AN4-16	5450	2
7	WASHER AN4	5540	2
8	WASHER SS 1-4 X 1"	5540	2
9	WASHER NYLON 1-4" OBA THIN	5540	2
10	NUT NYLOC AN4 HALF	5561	3
11	SAFETY PIN	5545	1

NOTE:
KITTED FOR PRODUCTION AS SHOWN.
SEAT BACKREST COMPONENT AND
ASSOCIATED BOLT / WASHERS AND
NUT IS SEPERATE.



SEAT FRONT MOUNT SUB-ASSEM XT

Drawn By	Scale	Date	5657 SHEET 1 of 1
Cris	1:2	20/05/03	



PART NO. 105445 -

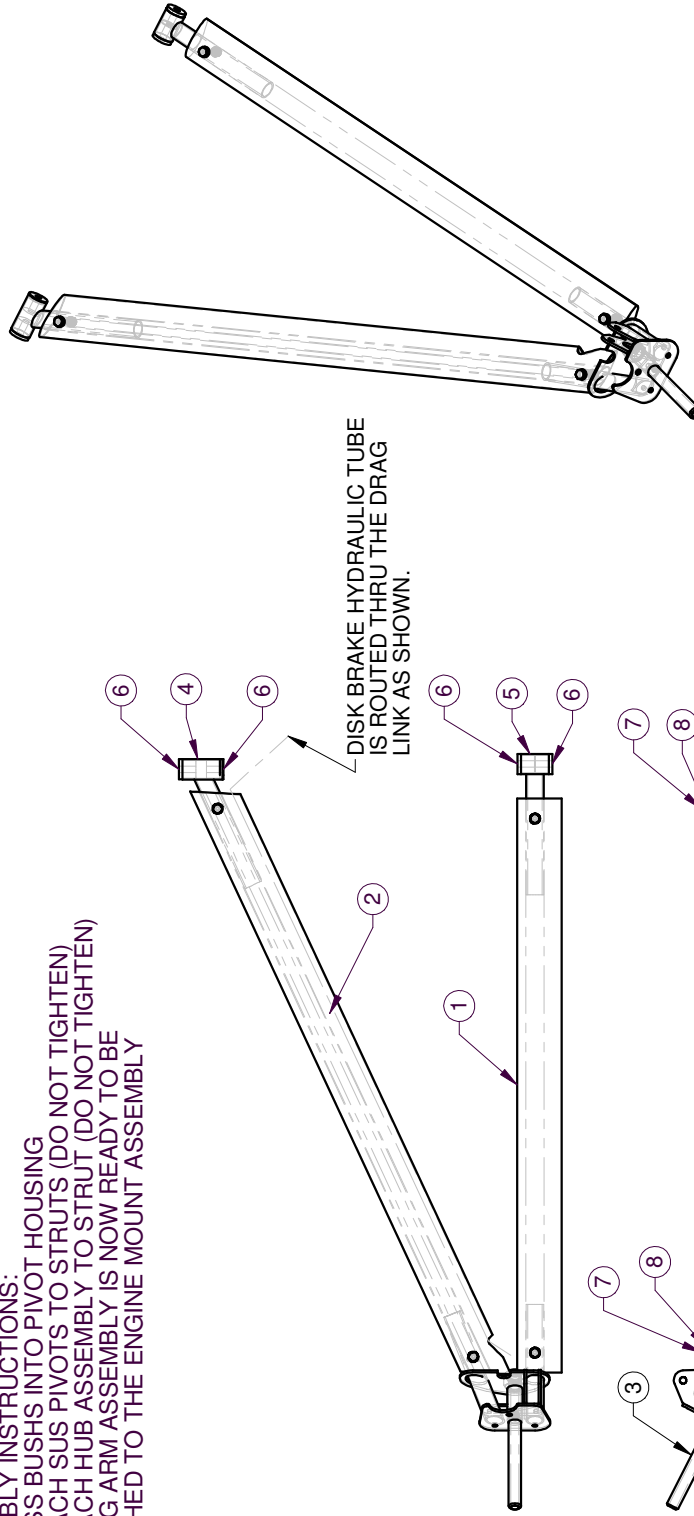
LAST ACCESSED: Monday, 9 July 2007
ALL DIMENSIONS IN MILLIMETERS UNLESS STATED OTHERWISE

UPDATE GJP FORMS WITH REV CHANGE

Rev	AMENDMENTS	Date
1	PARTS UPDATE	24/02/04

ITEM NO.	NAME	DWG	PART NO.	QTY.
1	REAR STRUT FAIRED EDGE XT MK2 715MM	7374	108448	1
2	REAR STRUT FAIRED DRAG LINK EDGE XT MK2	7373	108449	1
3	HUB ASM REAR EDGE XT MK2 LHS	7392	108450	1
4	PIVOT BRACKET DRAG LINK XT GREY	5414	105175	1
5	PIVOT BRACKET REAR STRUT XT	5415	105174	1
6	PIVOT BRACKET ACETAL BUSH XT	5413	105176	4
7	BOLT AN4-13 a	5450	101333	4
8	WASHER AN4	5540	100042	8
9	NUT NYLOC AN4 HALF	5561	100035	4

ASSEMBLY INSTRUCTIONS:
 1. PRESS BUSHES INTO PIVOT HOUSING
 2. ATTACH SUS PIVOTS TO STRUTS (DO NOT TIGHTEN)
 3. ATTACH HUB ASSEMBLY TO STRUT (DO NOT TIGHTEN)
 4 SWING ARM ASSEMBLY IS NOW READY TO BE ATTACHED TO THE ENGINE MOUNT ASSEMBLY



FOR EXPLODED DETAIL VIEW
 SEE RHS SUB-ASSEM A4-7399

COPIED FROM A4-5635, 05-04-07

REAR SWING ARM SUBASM XT MK2 LHS

Drawn By	Scale	Date	7398
Simon	1:8	05-04-07	SHEET 1 of 1

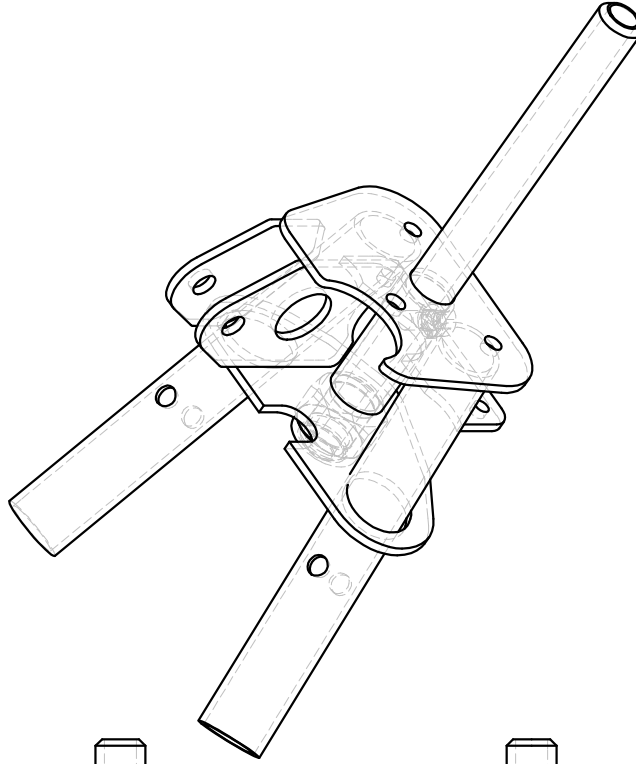
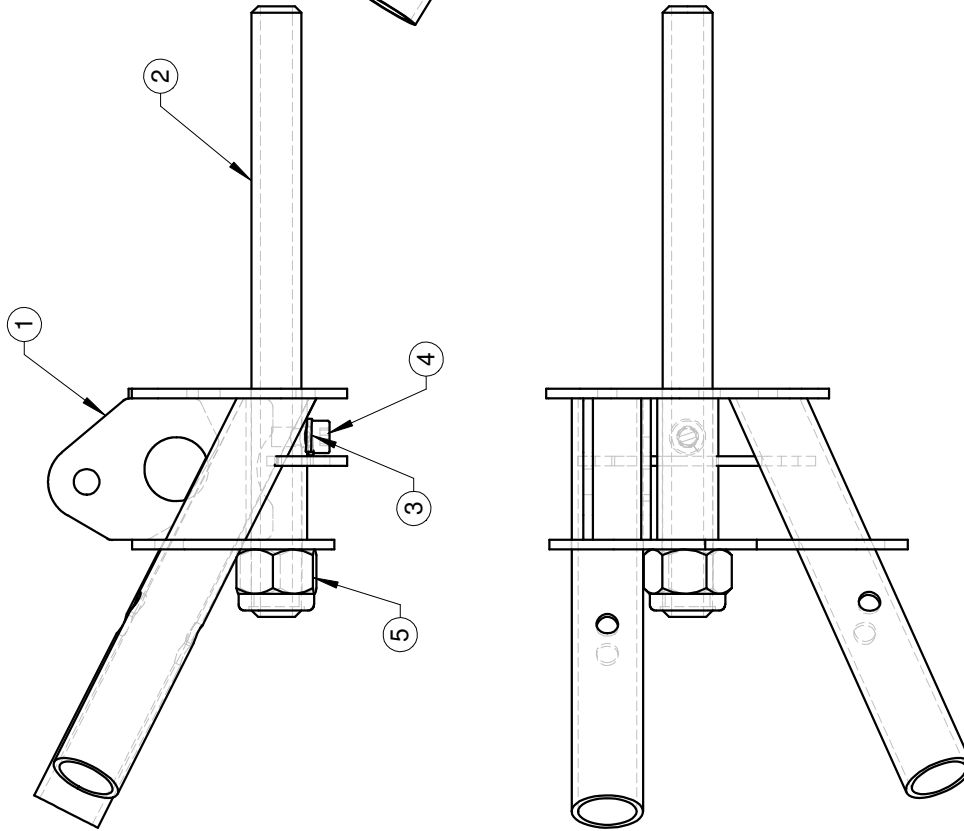


UPDATE GJP FORMS WITH REV CHANGE

Rev	AMENDMENTS	Date

PART NO. 108445 - 0
 LAST ACCESSED: Wednesday, 4 July 2007
 ALL DIMENSIONS IN MILLIMETERS UNLESS STATED OTHERWISE

ITEM NO.	NAME	DWG	PART NO.	QTY.
1	HUB COMPONENT REAR EDGE XT MK2 LHS	7390	108451	1
2	HUB AXLE EDGE XT MK2	7351	108452	1
3	SPRING WASHER 6 mm ZINC	5679	104582	1
4	SKT CAP SCREW M 6 X 12	5603	105884	1
5	NUT NYLOC UNF 5-8"	5506	105444	1



HUB ASM REAR EDGE XT MK2 LHS

Drawn By Simon	Scale 1:1	Date 04-04-07		7392 SHEET 1 of 1
-------------------	--------------	------------------	--	----------------------

PART NO. 108450

LAST ACCESSED: Monday, 9 July 2007
ALL DIMENSIONS IN MILLIMETERS UNLESS STATED OTHERWISE

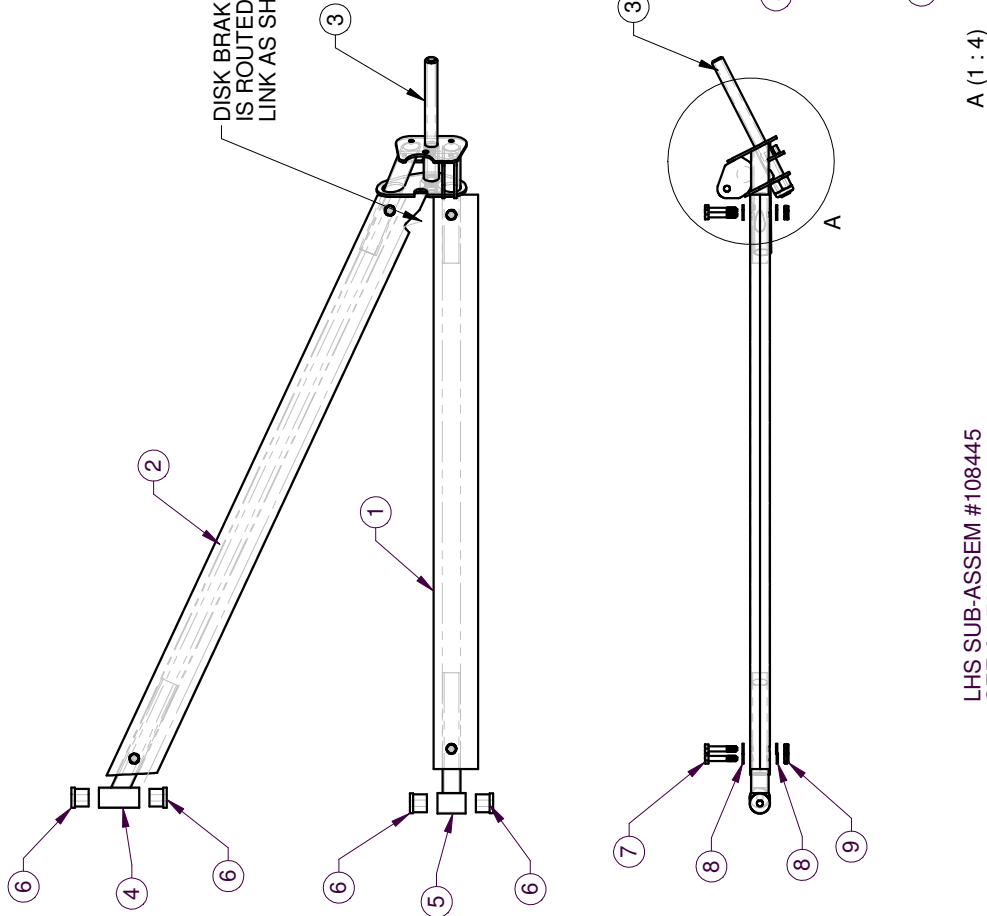
Rev	AMENDMENTS	Date

ITEM NO.	NAME	DWG PART NO.	QTY.
1	REAR STRUT FAIRED EDGE XT MK2 715MM	7374	108448
2	REAR STRUT FAIRED DRAG LINK EDGE XT MK2	7373	108449
3	HUB ASM REAR EDGE XT MK2 RHS	7391	108453
4	PIVOT BRACKET DRAG LINK XT GREY	5414	105175
5	PIVOT BRACKET REAR STRUT XT	5415	105174
6	PIVOT BRACKET ACETAL BUSH XT	5413	105176
7	BOLT AN4-13 a	5450	101333
8	WASHER AN4	5540	100042
9	NUT NYLOC AN4 HALF	5561	100035

DISK BRAKE HYDRAULIC TUBE IS ROUTED THRU THE DRAG LINK AS SHOWN.

ASSEMBLY INSTRUCTIONS:

1. PRESS BUSHES INTO PIVOT HOUSING
2. ATTACH SUS PIVOTS TO STRUTS (DO NOT TIGHTEN)
3. ATTACH HUB ASSEMBLY TO STRUT (DO NOT TIGHTEN)
4. SWING ARM ASSEMBLY IS NOW READY TO BE ATTACHED TO THE ENGINE MOUNT ASSEMBLY



LHS SUB-ASSEM #108445
SEE A4-7398

COPIED FROM A4-5636, 05-04-07

REAR SWING ARM SUBASM XT MK2 RHS	
Drawn By	Simon
Scale	1:8
Date	05-04-07
Part No.	7399
SHEET 1 of 1	

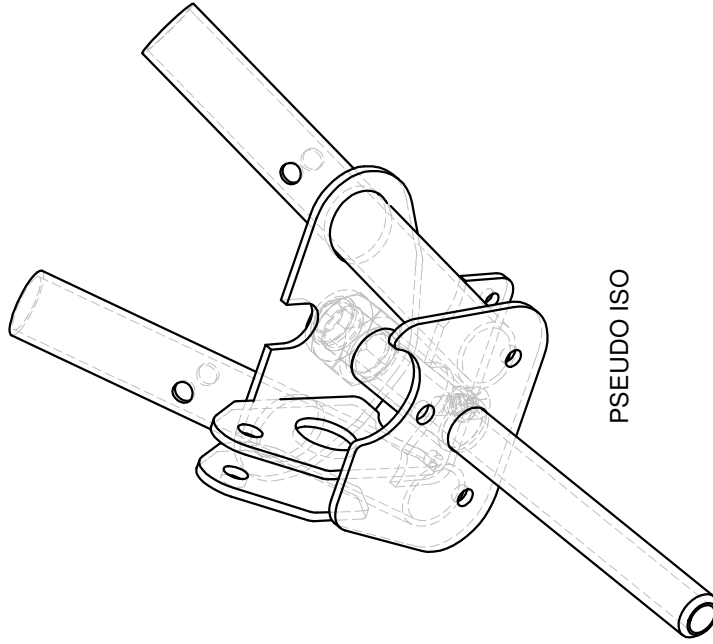
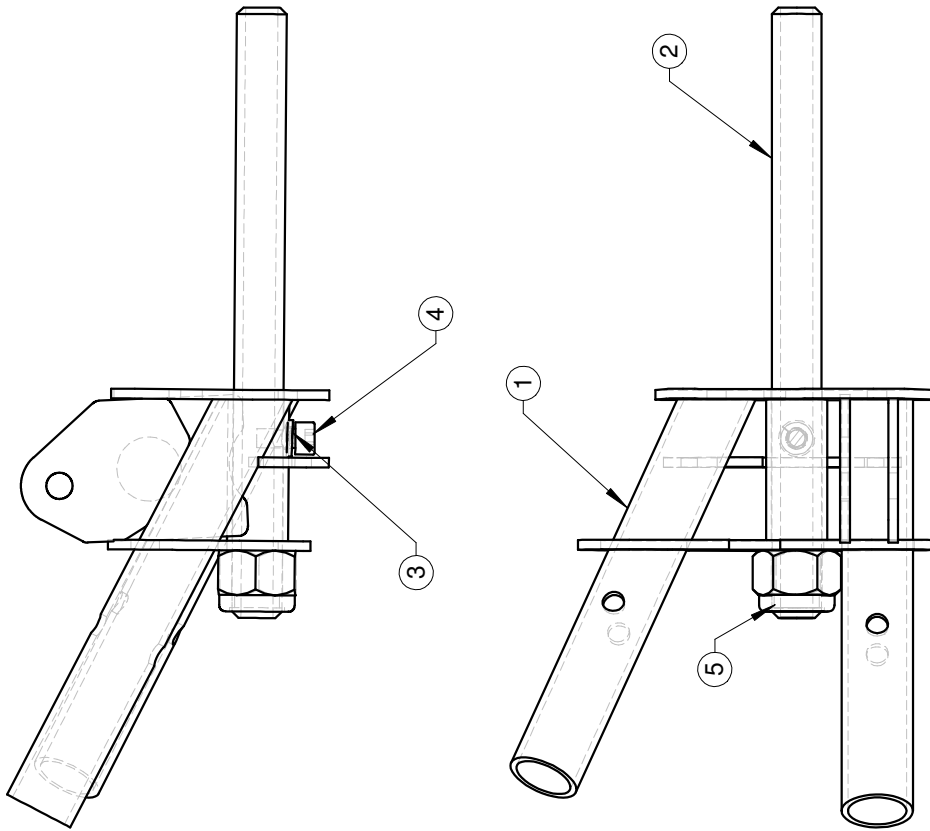
Rev	AMENDMENTS	Date

UPDATE GJP FORMS WITH REV CHANGE

PART NO. 108446 - 0

LAST ACCESSED: Wednesday, 4 July 2007
ALL DIMENSIONS IN MILLIMETERS UNLESS STATED OTHERWISE

ITEM NO.	NAME	DWG	PART NO.	QTY.
1	HUB COMPONENT REAR EDGE XT MK2 RHS	7389	108454	1
2	HUB AXLE EDGE XT MK2	7351	108452	1
3	SPRING WASHER 6 mm ZINC	5679	104582	1
4	SKT CAP SCREW M 6 X 12	5603	105884	1
5	NUT NYLOC UNF 5-8"	5506	105444	1



PSEUDO ISO

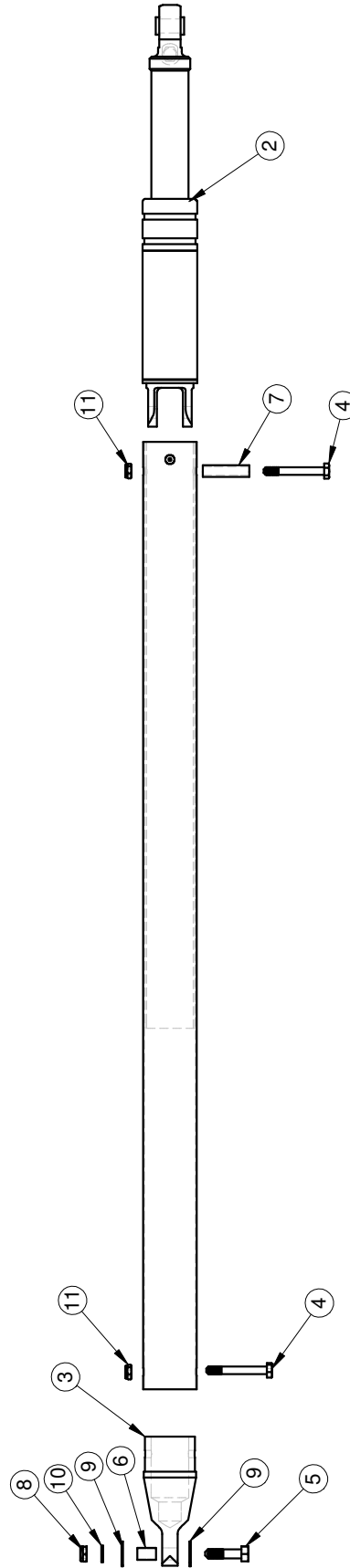
HUB ASM REAR EDGE XT MK2 RHS	
Drawn By	Date
Simon	30-03-07
Scale	
1:2	
7391	
SHEET 1 of 1	

PART NO. 108453

LAST ACCESSED: Monday, 9 July 2007
ALL DIMENSIONS IN MILLIMETERS UNLESS STATED OTHERWISE

Rev	AMENDMENTS	Date

ITEM NO.	NAME	DWG	PART NO.	QTY.
1	COMPRESSION STRUT XT MK2 808MM	7375	108455	1
2	SHOCK ABSORBER REAR XT	5351	105262	1
3	COMPRESSION STRUT KNUCKLE XT LOWER	5318	104951	1
4	BOLT AN4-20 a	5450	100006	2
5	BOLT AN5-11	5493	102743	1
6	SPACER SS 8 x1.0x15.8L	5451	102901	1
7	BUSH ALLOY SHOCK MOUNT XT	5453	105102	1
8	NUT NYLOC AN5 HALF	5561	100037	1
9	WASHER SS 10 X 21mm	5540	103458	2
10	WASHER AN5	5540	100043	1
11	NUT NYLOC AN4 HALF	5561	100035	2



THIS DRAWING COPIED FROM A4- 5606 , 05-04-07

COMPRESSION STRUT REAR ASM XT MK2

Drawn By	Scale	Date	7397 SHEET 1 of 1
Simon	1:5	05-04-07	



PART NO. 108447 - 0

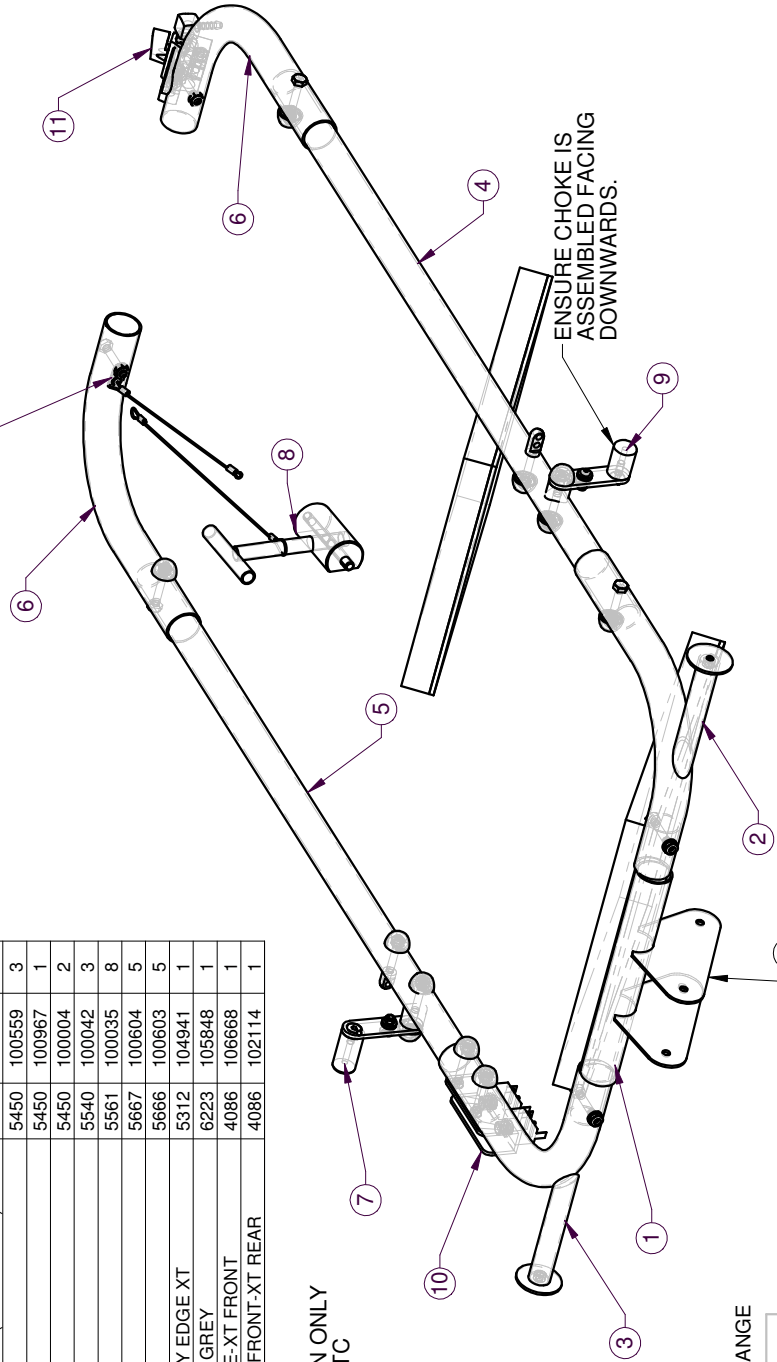
LAST ACCESSED: Monday, 9 July 2007
ALL DIMENSIONS IN MILLIMETERS UNLESS STATED OTHERWISE

Rev	AMENDMENTS	Date

ITEM NO.	NAME	DWG	PART NO.	QTY.
1	SEAT TUBE BOTTOM XT ALUMINIUM	5509	105260	1
2	SEAT FRAME CORNER BOTTOM LHS XT	5664	105451	1
3	SEAT FRAME CORNER BOTTOM RHS XT	5665	105452	1
4	SEAT TUBE SIDE SUPPORT XT LHS	5509	105258	1
5	SEAT TUBE SIDE SUPPORT XT RHS	5509	105259	1
6	SEAT FRAME CORNER TOP (GREY)	5510	108036	2
7	THROTTLE LEVER SUB-ASSEM XT	5676	105458	1
8	OVER-CENTER LATCH WITH SAFETY XT	5708	105490	1
9	CHOKE LEVER SUB-ASSEM XT	5675	105457	1
10	IGNITION SWITCH SUB-ASSEMBLY XT	5670	105455	1
11	FUEL TAP BRACKET SUB-ASSEMBLY XT	5669	105454	1
12	EYEBOLT HAND THROTTLE CABLE	5230	104726	1
13	EYE BOLT CHOKE CABLE TYPE 2 (REF TC 4764)	4764	103955	1
14	BOLT AN4-14 a	5450	100559	3
15	BOLT AN4-15 a	5450	100967	1
16	BOLT AN4-16	5450	100004	2
17	WASHER AN4	5540	100042	3
18	NUT NYLOC AN4 HALF	5561	100035	8
19	CAP WASHER BASE CLIP M8	5667	100604	5
20	CAP WASHER COVER BLK M8	5666	100603	5
21	SEAT BASE MOUNT ASSEMBLY EDGE XT	5312	104941	1
22	SEAT SUB-ASSEM XT OPTION GREY	6223	105848	1
23	SEAT BASE 290X290 E-XT FRONT	4086	106668	1
24	SEAT BASE 290X250 E FRONT-XT REAR	4086	102114	1

NOTE:
PART # 105848, THE SEAT SUB ASSEMBLY XT OPTION GREY IS PRESENT IN THIS ASSEMBLY, BUT NOT SHOWN IN THIS DRAWING VIEW.

TANG FOR SAFETY WIRE TO JOIN HERE SEE A4-5708



MAIN COMPONENTS SHOWN ONLY
SEE SHEET 2 FOR BOLTS ETC

UPDATE GJP FORMS WITH REV CHANGE

Rev	AMENDMENTS	Date
2	CHOKE THROTTLE LEVER UPGRADE - CHOKE INVERTED	4/08/04
3	DCR 2201/12 - WASHER, MOVED PARTS: 19-01-06	
4	MASTER RESTRUCTURE DCR 2256	27-07-06
5	DCR 2296, CHG TO 108036	17-05-07

PART NO. 105429 -

LAST ACCESSED: Monday, 9 July 2007

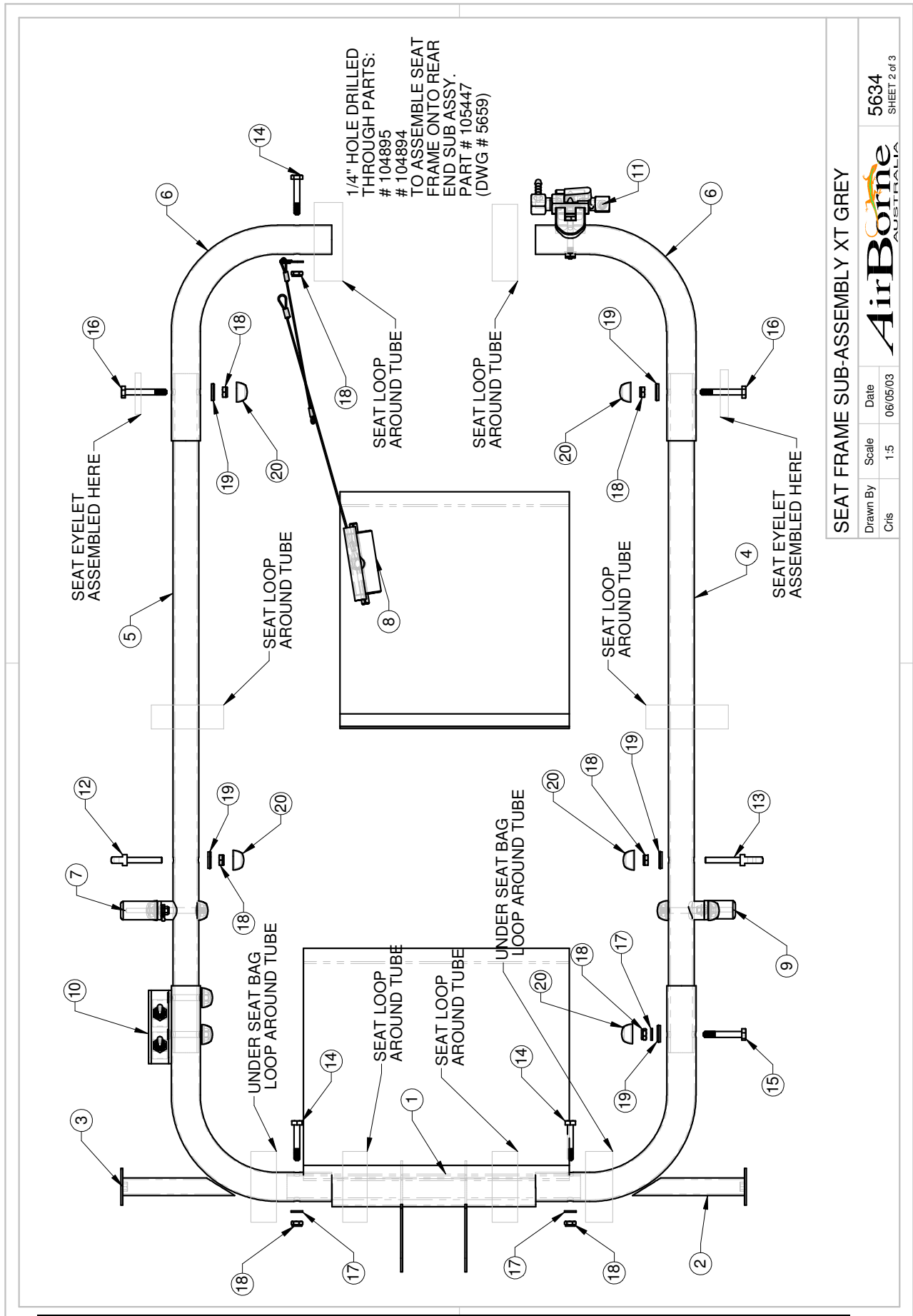
ALL DIMENSIONS IN MILLIMETERS UNLESS STATED OTHERWISE

SEAT FRAME SUB-ASSEMBLY XT GREY

Drawn By	Scale	Date
Cris	1:5.5	22/05/03

AirBorne
AUSTRALIA

5634
SHEET 1 of 3

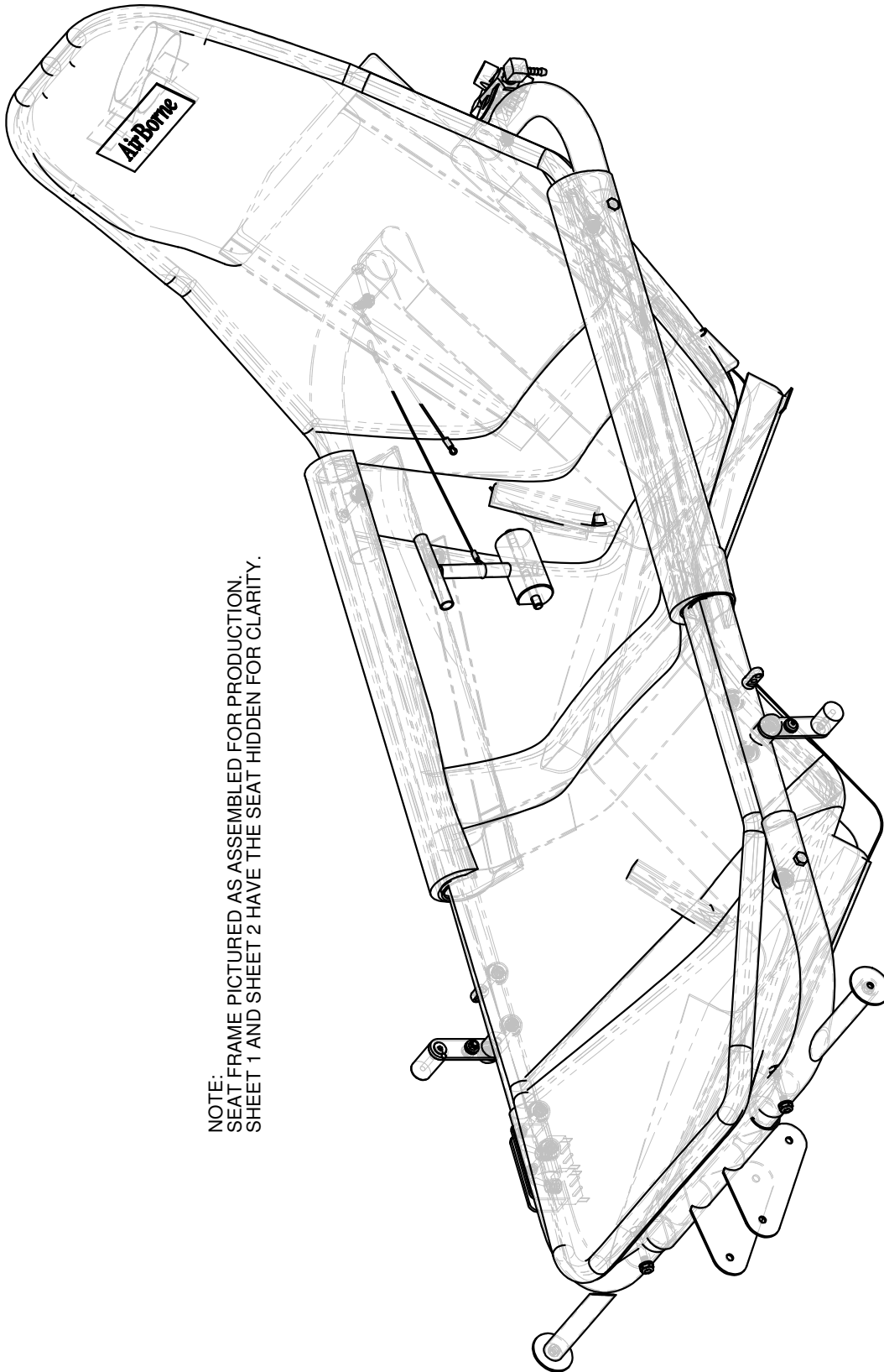


SEAT FRAME SUB-ASSEMBLY XT GREY

5634 SHEET 2 of 3



Drawn By	Cris	Date	06/05/03
Scale	1:5		



NOTE:
SEAT FRAME PICTURED AS ASSEMBLED FOR PRODUCTION.
SHEET 1 AND SHEET 2 HAVE THE SEAT HIDDEN FOR CLARITY.

SEAT FRAME SUB-ASSEMBLY XT GREY

Drawn By Simon	Scale 1:20	Date 25-01-06	5634 SHEET 3 of 3
-------------------	---------------	------------------	----------------------

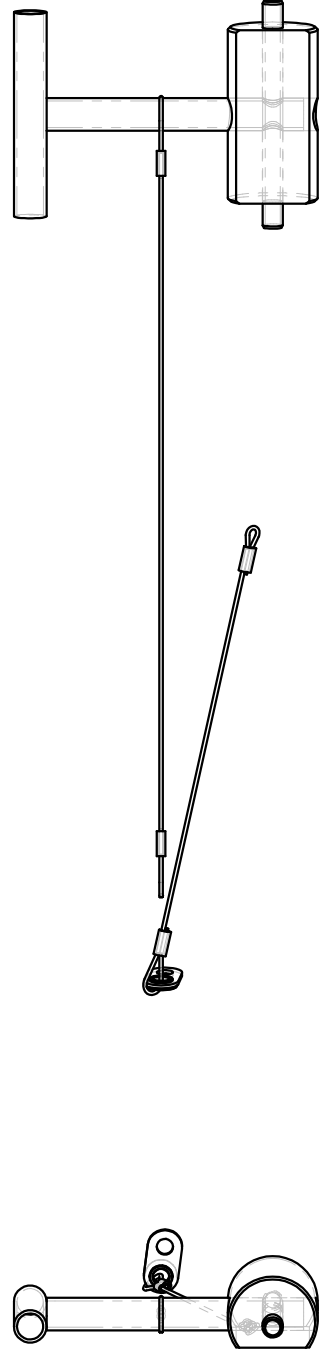
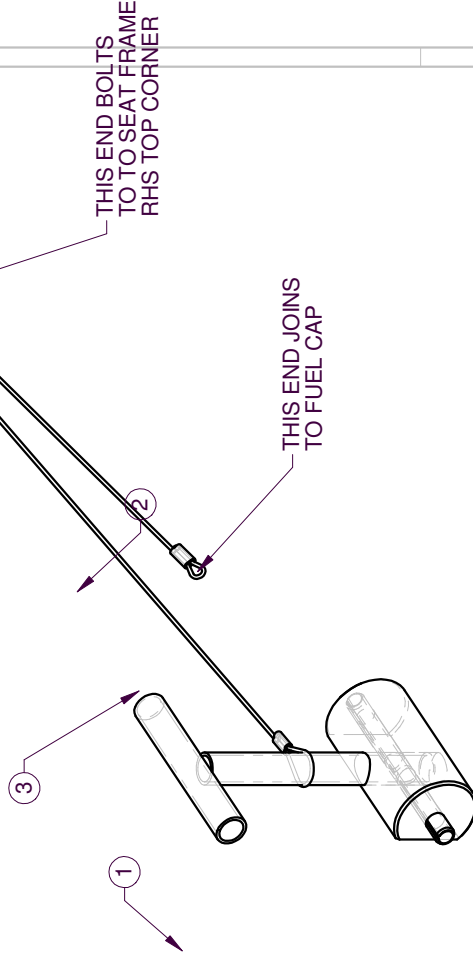


PART NO. 105429

LAST ACCESSED: Monday, 9 July 2007
ALL DIMENSIONS IN MILLIMETERS UNLESS STATED OTHERWISE

Rev	AMENDMENTS	Date

ITEM NO.	NAME	DWG	PART NO.	QTY.
1	OVER-CENTER LATCH ASSEMBLY EDGE XT	5298	104890	1
2	SAFETY WIRE SUB-ASSEM FUEL CAP XT	5702	105483	1
3	SAFETY WIRE SUB-ASSEM O/C LEVER XT	5702	105484	1
4	TANG 1-4" EYELET HOLE	5673	103290	1



UPDATE G-JP FORMS WITH REV CHANGE

Rev	AMENDMENTS	Date

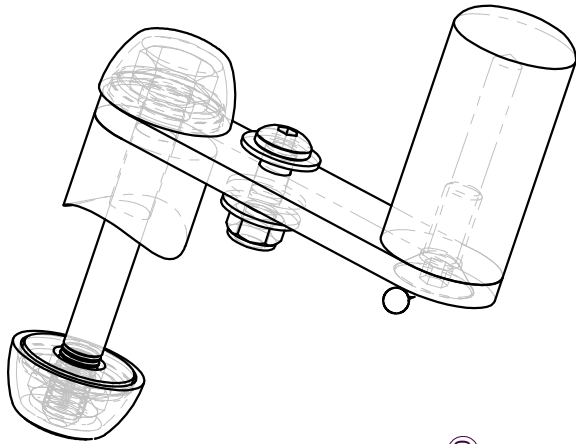
PART NO. 105490 -

LAST ACCESSED: Monday, 9 July 2007
ALL DIMENSIONS IN MILLIMETERS UNLESS STATED OTHERWISE

OVER-CENTER LATCH WITH SAFETY XT

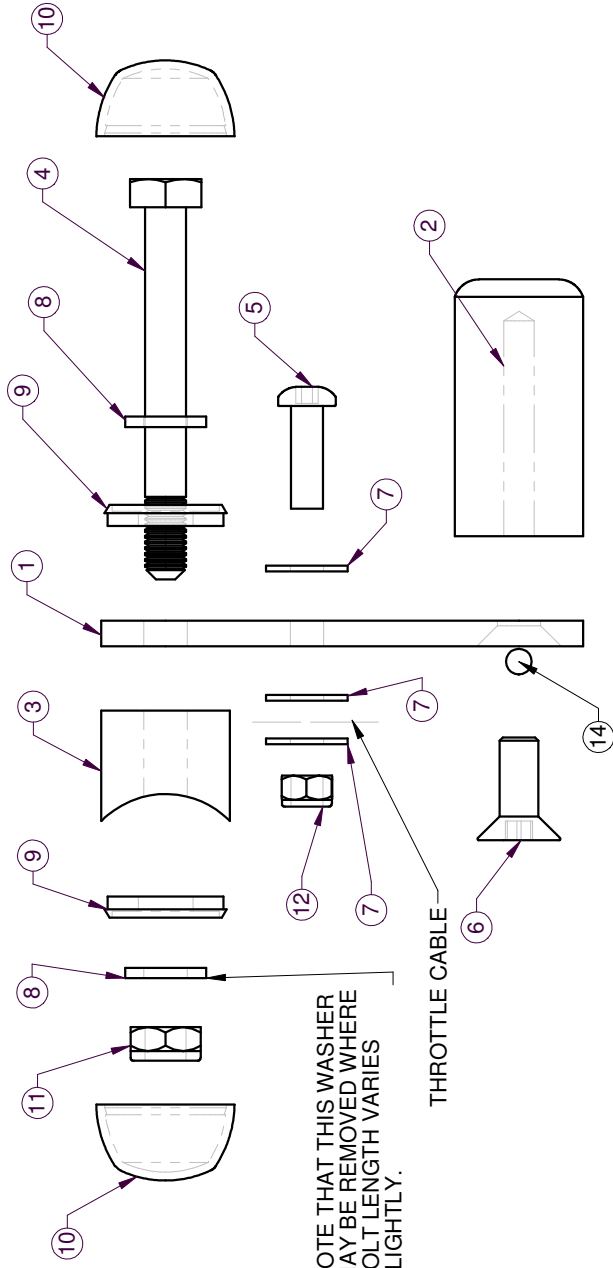
Drawn By	Scale	Date
Cris	1:2.5	03/06/03

5708
SHEET 1 of 1



REV 2 USED FROM
SERIAL NO. 045

ITEM NO.	NAME	DWG	PART NO.	QTY.
1	HAND TRIMMER LEVER	4410	106476	1
2	KNOB - HAND PLASTIC 40	6433	106531	1
3	SPACER HAND THROTTLE-CHOKE LEVER XT	5674	105456	1
4	BOLT AN4-22 a	5450	100549	1
5	SKT BUTTON SCREW M5 x 16	5677	103182	1
7	WASHER SS 3-16 X 1-2"	5540	100569	3
8	WASHER AN4	5540	100042	2
9	CAP WASHER BASE CLIP M8	5667	100604	2
10	CAP WASHER COVER BLK M8	5666	100603	2
11	NUT NYLOC AN4 HALF	5561	100035	1
12	NUT NYLOC M 5 FULL	5604	101365	1
13	SKT CSK SCREW M6x16 SS	5568	106275	1
14	LOCTITE 243 Blue Med Strength	5637	103706	1



PART NO. 105458 -

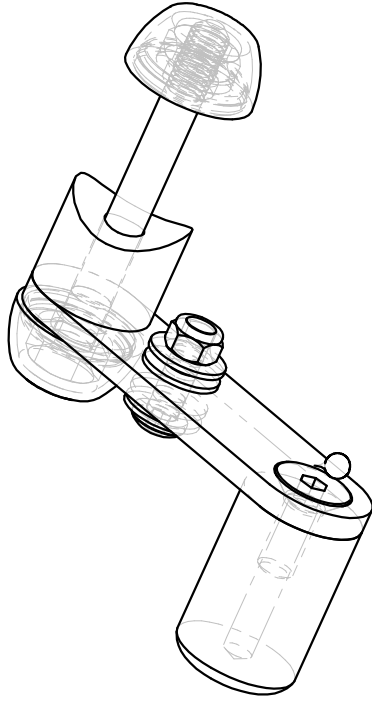
Rev	AMENDMENTS	Date
1	WASHER NOTE ADDED / BOLT SIZE	24/02/04
2	KNOB DESIGN CHANGE (DCR 2056)	4/08/04

LAST ACCESSED: Monday, 9 July 2007
ALL DIMENSIONS IN MILLIMETERS UNLESS STATED OTHERWISE

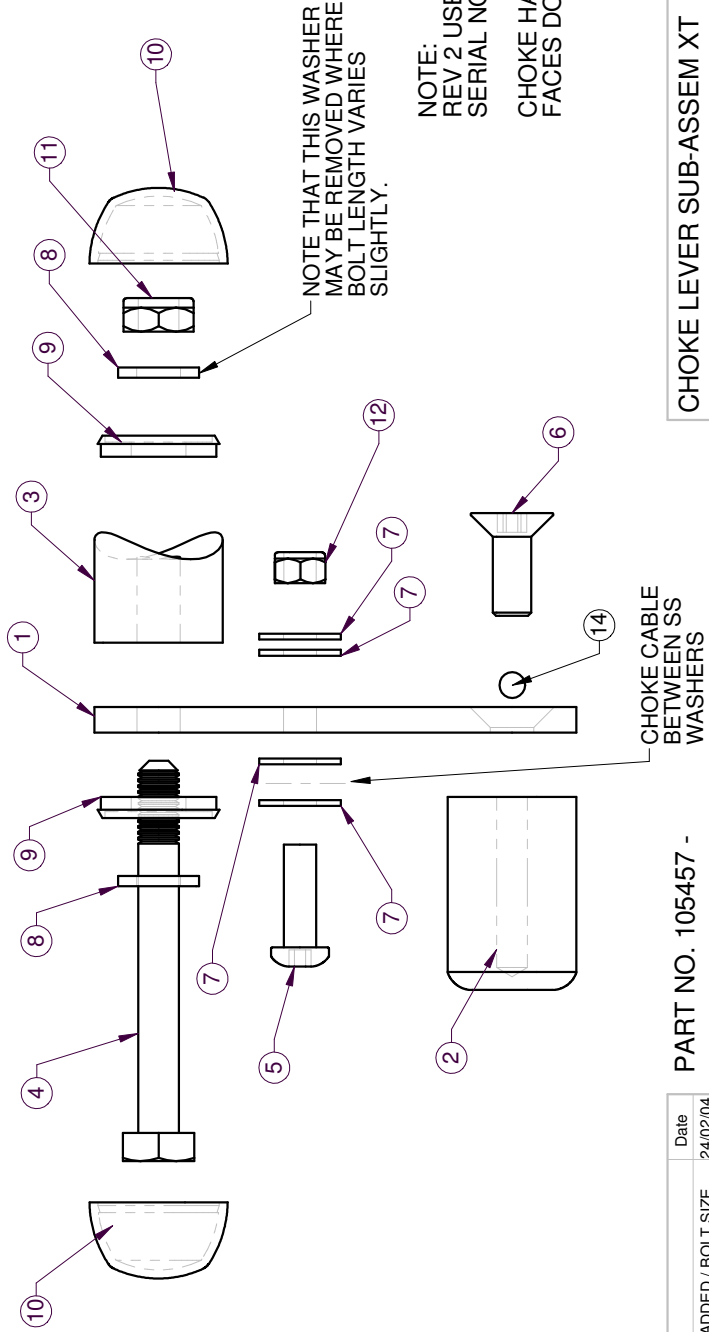
THROTTLE LEVER SUB-ASSEM XT

Drawn By	Scale	Date
Cris	1:1	23/05/03

5676
SHEET 1 of 1
AirBorne AUSTRALIA



ITEM NO.	NAME	DWG	PART NO.	QTY.
1	HAND TRIMMER LEVER	4410	106476	1
2	KNOB - HAND PLASTIC 30	6433	106530	1
3	SPACER HAND THROTTLE-CHOKE LEVER XT	5674	105456	1
4	BOLT AN4-22 a	5450	100549	1
5	SKT BUTTON SCREW M5 x 16	5677	103182	1
7	WASHER SS 3-16 X 1-2"	5540	100569	4
8	WASHER AN4	5540	100042	2
9	CAP WASHER BASE CLIP M8	5667	100604	2
10	CAP WASHER COVER BLK M8	5666	100603	2
11	NUT NYLOC AN4 HALF	5561	100035	1
12	NUT NYLOC M 5 FULL	5604	101365	1
13	SKT CSK SCREW M6x16 SS	5568	106275	1
14	LOCTITE 243 Blue Med Strength	5637	103706	1



NOTE:
REV 2 USED FROM
SERIAL NO. 045 ONWARD
CHOKE HANDLE NOW
FACES DOWN ON XT

CHOKE LEVER SUB-ASSEM XT

Drawn By	Scale	Date	5675 SHEET 1 of 1
Cris	1:1	23/05/03	

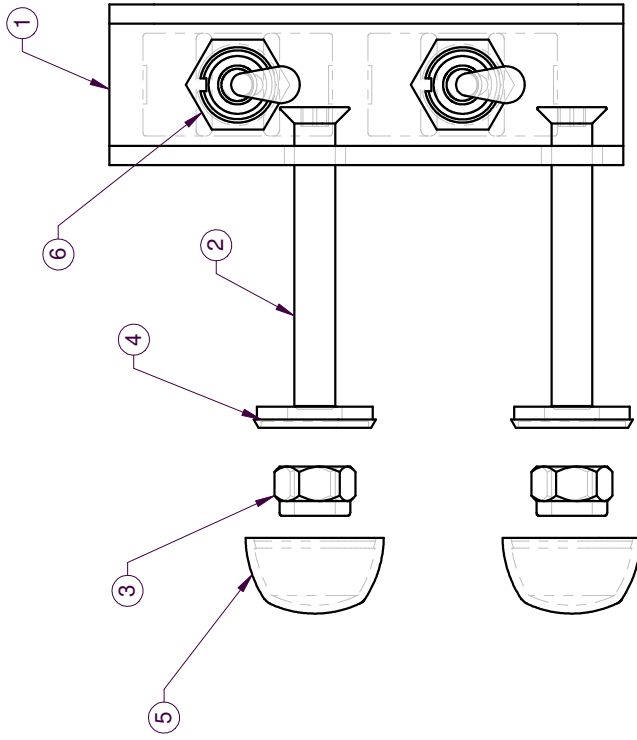


PART NO. 105457 -

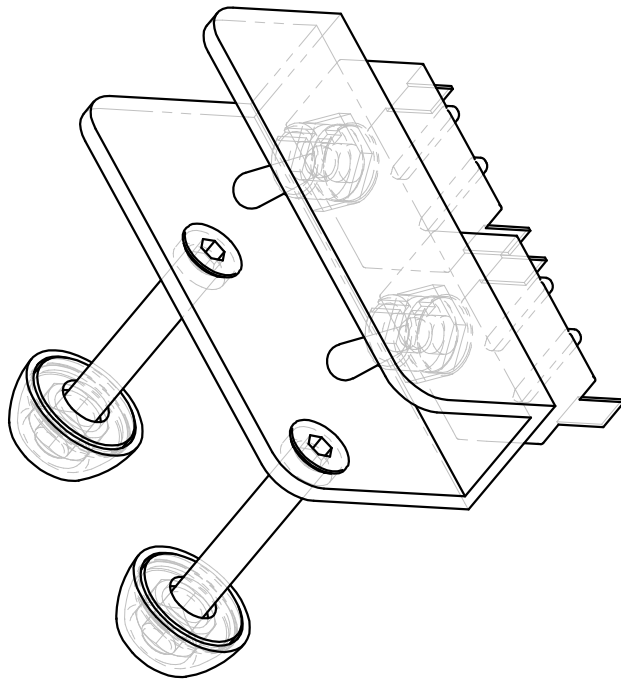
LAST ACCESSED: Monday, 9 July 2007
ALL DIMENSIONS IN MILLIMETERS UNLESS STATED OTHERWISE

Rev	AMENDMENTS	Date
1	WASHER NOTE ADDED / BOLT SIZE	24/02/04
2	KNOB DESIGN CHANGE (DCR 2055)	4/08/04

ITEM NO.	NAME	DWG	PART NO.	QTY.
1	CHANNEL IGNITION SWITCH (REF TC A4-4579)	4579	103082	1
2	SKT CSK SCREW BSW 1-4" MOD 47L	5568	106319	2
3	NUT NYLOC BSW 1-4" FULL	5535	101822	2
4	CAP WASHER BASE CLIP M8	5667	100604	2
5	CAP WASHER COVER BLK M8	5666	100603	2
6	SWITCH IGNITION SPST (TOGGLE)	5671	100250	2



NOTE: SWITCHES SHOWN
IN THE ON POSITION

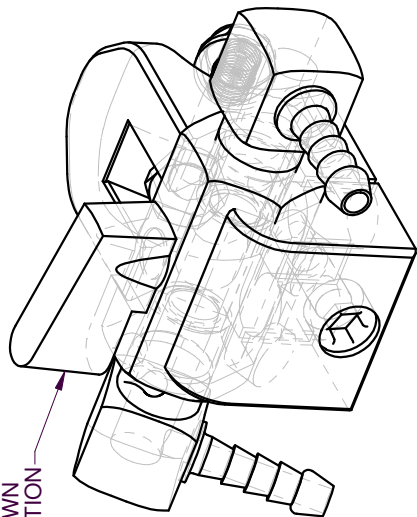


IGNITION SWITCH SUB-ASSEMBLY XT			
Drawn By	Scale	Date	5670 SHEET 1 of 1
Cris	1:1	22/05/03	
AirBorne AUSTRALIA			

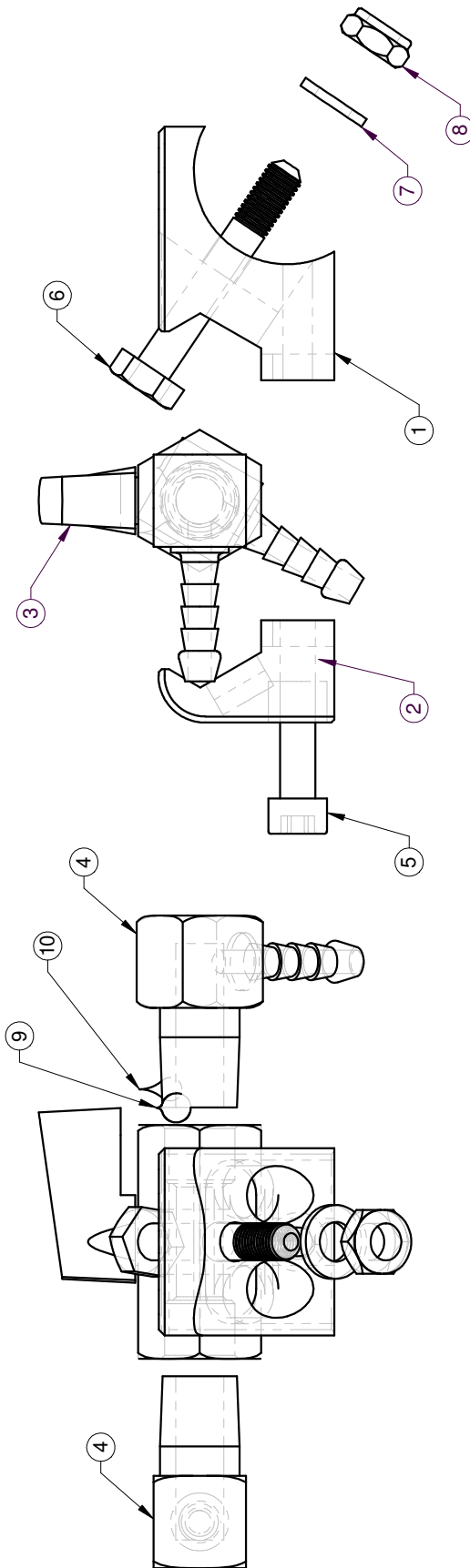
PART NO. 105455 -		
LAST ACCESSED: Monday, 9 July 2007		
ALL DIMENSIONS IN MILLIMETERS UNLESS STATED OTHERWISE		
Rev	AMENDMENTS	Date
1	MOD BOLT CHANGED WASHERS REMOVED	1/10/03

ITEM NO.	NAME	DWG	PART NO.	QTY.
1	FUEL TAP BRACKET XT FWD	5447	105240	1
2	FUEL TAP BRACKET XT AFT	5448	105241	1
3	FUEL TAP HEX	5672	105346	1
4	ELBOW MALE 1/4X1/4 BSP	5528	100982	2
5	SKT CAP SCREW SS M 6 X 20	5603	105752	1
6	BOLT AN4-15 a	5450	100967	1
7	WASHER AN4	5540	100042	1
8	NUT NYLOC AN4 HALF	5561	100035	1
9	TAPE THREAD - YELLOW (GAS)	5637	106603	1
10	LOCTITE 567 Thread Sealant	5637	103705	1

NOTE: TAP SHOWN IN THE ON POSITION



ASSEMBLY INSTRUCTIONS:
 1. APPLY THREAD TAPE TO ELBOWS (APPROX 5 TURNS IN THE THREAD DIRECTION, START 1.5 THREADS IN FROM THE END)
 2. APPLY A SMALL AMOUNT OF THREAD SEALANT
 3. ALIGN ELBOW ENDS FOR HOSE ATTACHMENT



UPDATE GJP FORMS WITH REV CHANGE

Rev	AMENDMENTS	Date
1	BOLT CHANGED TO SS & AN4-15	29/07/03
2	THREAD TAPE AND NOTE ADDED	16/08/04

PART NO. 105454 -

LAST ACCESSED: Monday, 9 July 2007

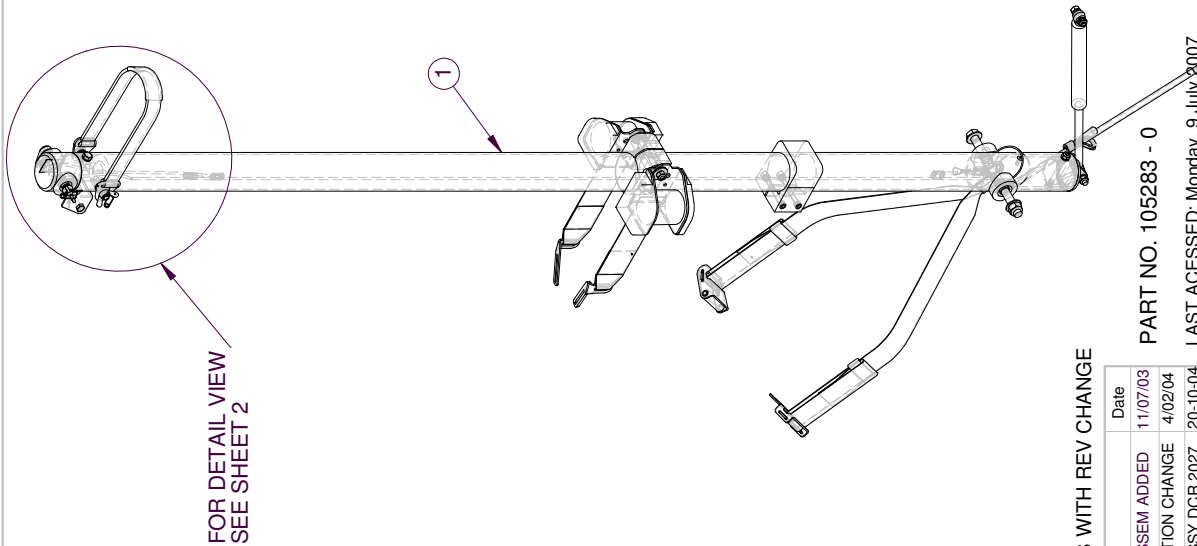
ALL DIMENSIONS IN MILLIMETERS UNLESS STATED OTHERWISE

FUEL TAP BRACKET SUB-ASSEMBLY XT

Drawn By	Scale	Date
Cris	1:1	22/05/03

5669
SHEET 1 of 1

ITEM NO.	NAME	DWG	PART NO.	QTY.
1	MAST TUBE VERT SUB ASSY XT	5588	105321	1
2	BACKUP LOOP - TRIKE	4640	100865	1
3	MAST TOP ADAPTER SUB-ASSEMBLY XT	5792	105602	1
4	BOLT MAST TOP SAFETY EDGE	5555	102579	1
5	BRACKET SS A FRAME TOP DWG A4-3070	3070	107414	1
6	SADDLE 60MM TUBE	7166	100080	1
7	BOLT AN5-31 a	5493	100022	1
8	BOLT AN4-20	5450	105330	1
9	WASHER SS 3-8 X 3-4"	5540	100924	1
10	WASHER AN6	5540	100044	8
11	WASHER AN5	5540	100043	1
12	NUT NYLOC AN6 FULL	5535	100038	1
13	NUT NYLOC AN5 FULL	5535	100036	1
14	WASHER SS SQAURE 34X50 DWG A4-3047	3047	107417	1
15	WINGNUT AN6	5534	101065	1
16	WINGNUT AN4	5534	102472	1
17	SAFETY PIN	5545	100920	2
18	HEART BOLT .35 ASSEMBLY	6559	106671	1
19	STRAP MAST TIE DOWN XT	6593	106785	1
20	SEAT BELT LAP REAR XT SUB-ASSEM	5647	105409	1



UPDATE GJP FORMS WITH REV CHANGE

Rev	AMENDMENTS	Date
1	MAST ADAPTER SUB-ASSEM ADDED	11/07/03
2	BOLT AND BOLT DIRECTION CHANGE	4/02/04
3	ADDED HEART BOLT ASSY DCR 2027	20-10-04
4	DCR 2268, ADD 105409 FROM 6225	03-10-06

PART NO. 105283 - 0

LAST ACCESSED: Monday, 9 July 2007

ALL DIMENSIONS IN MILLIMETERS UNLESS STATED OTHERWISE

MAST ASSEMBLY EDGE XT

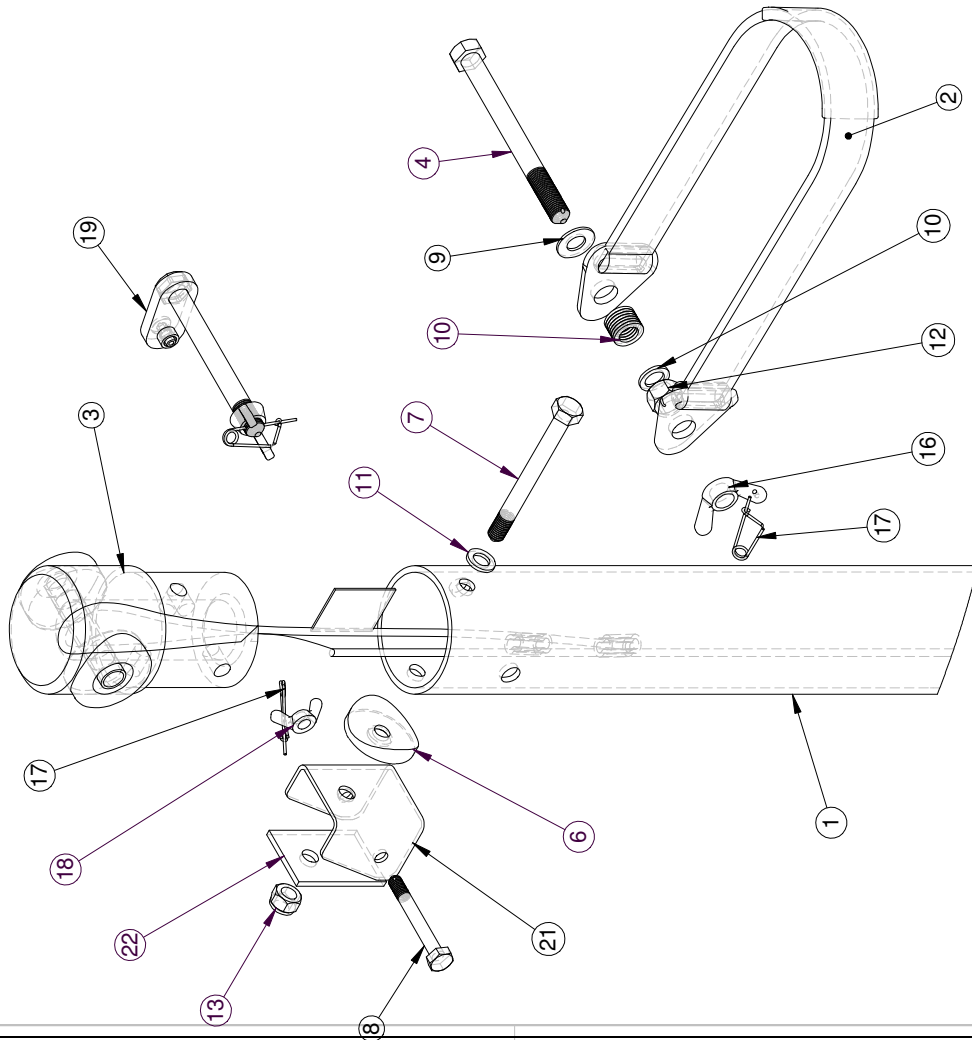
Drawn By	Scale	Date
Simon	1:12	03/05/03

5564
SHEET 1 of 2



ITEM NO.	NAME	DWG	PART NO.	QTY.
1	MAST TUBE VERT SUB ASSY XT	5588	105321	1
2	BACKUP LOOP - TRIKE	4640	100865	1
3	MAST TOP ADAPTER SUB-ASSEMBLY XT	5792	105602	1
4	BOLT MAST TOP SAFETY EDGE	5555	102579	1
6	SADDLE 60MM TUBE	7166	100080	1
7	BOLT AN5-31 a	5493	100022	1
8	BOLT AN4-20	5450	105330	1
9	WASHER SS 3-8 X 3-4"	5540	100924	1
10	WASHER AN6	5540	100044	8
11	WASHER AN5	5540	100043	1
12	NUT NYLOC AN6 FULL	5535	100038	1
13	NUT NYLOC AN5 FULL	5535	100036	1
16	WINGNUT AN6	5534	101065	1
17	SAFETY PIN	5545	100920	2
18	WINGNUT AN4	5534	102472	1
19	HEART BOLT 35 ASSEMBLY	6559	106671	1
20	STRAP MAST TIE DOWN XT	6593	106785	1
21	BRACKET SS A FRAME TOP DWG A4-3070	3070	107414	1
22	WASHER SS SQAURE 34X50 DWG A4-30747	30747	107417	1
23	SEAT BELT LAP REAR XT SUB-ASSEM	5647	105409	1

ITEM # 2 "BACKUP LOOP TRIKE" IS ASSEMBLED WITH THE MAST BETWEEN THE TWO SETS OF AN6 WASHERS (ITEM 10). WHERE THERE ARE SEVEN ON THE RHS AND 1 ON THE LHS.

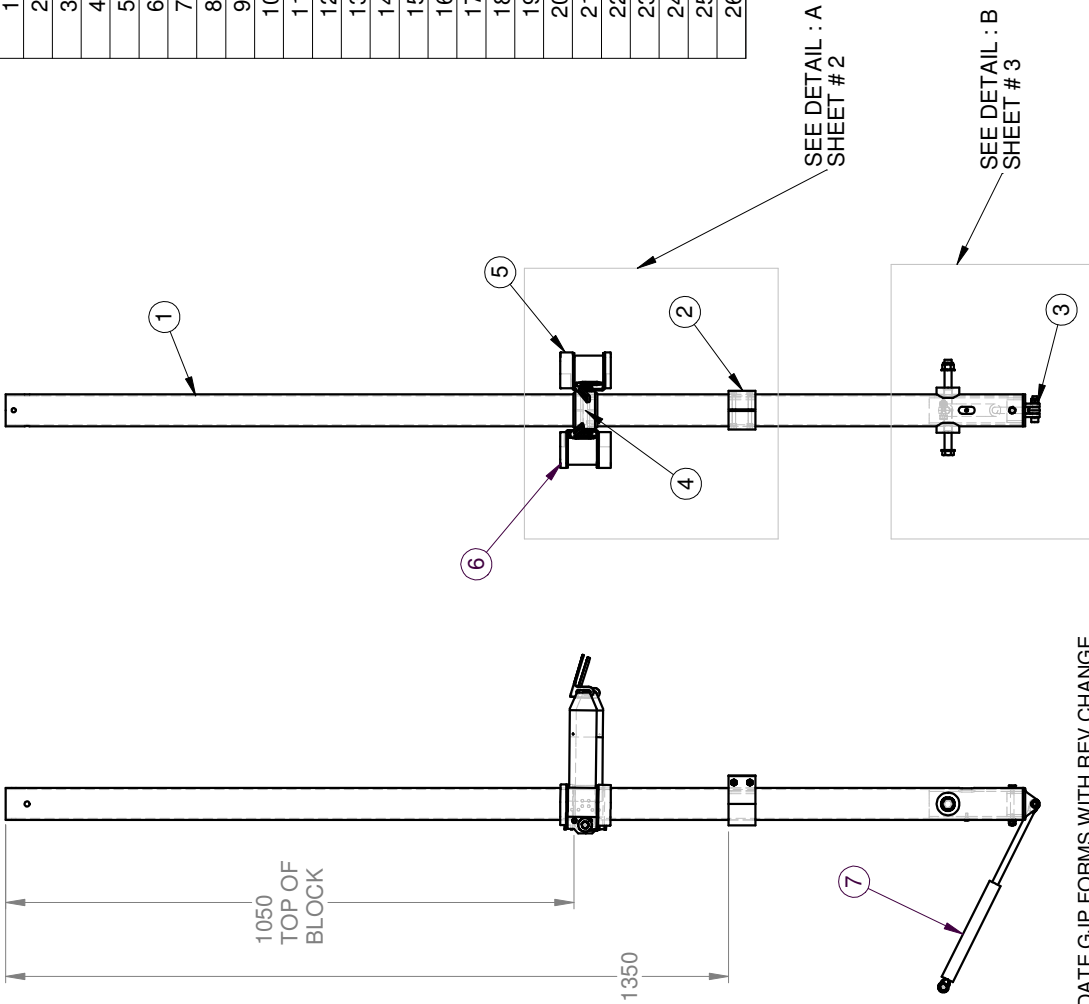


MAST ASSEMBLY EDGE XT	
Drawn By	Simon
Scale	1:12
Date	05/05/03
Part No.	5564
Sheet	2 of 2

PART NO. 105283
 LAST ACCESSED: Monday, 9 July 2007
 ALL DIMENSIONS IN MILLIMETERS UNLESS STATED OTHERWISE

Rev	AMENDMENTS	Date
	SEE SHEET 1	

ITEM NO.	NAME	DWG	PART NO.	QTY.
1	MAST TUBE EDGE XT SLEEVED	5232	104728	1
2	MAST CLAMP BLOCK XT (PLASTIC)	5270	104888	1
3	MAST BOTTOM KNUCKLE XT	5262	104886	1
4	SHOULD BELT MAST BLOCK XT	5380	105129	1
5	SEAT BELT SHOULDER REAR XT (LHS)	5487	105587	1
6	SEAT BELT SHOULDER FRONT XT (RHS)	5487	105588	1
7	GAS STRUT 200MM BODY	5607	105149	1
8	MAST SADDLE EDGE XT	5303	104911	2
9	BUSH MAST PIVOT EDGE XT	2088	105425	1
10	BOLT 8.8 GR UNC 1/2X170MM MODIFIED	5661	105327	1
11	BOLT AN5-36 a	5493	100026	1
12	BOLT AN5-11	5493	102743	1
13	BOLT AN4-26 a	5450	100009	1
14	SKT CAP SCREW M 8 X 40	5603	101519	1
15	SKT CAP SCREW SS M 6 X 60	5603	101744	2
16	WASHER NYLON M8 XOD	5540	100820	4
17	WASHER SS 5-16 X 1" X 16g	5540	100714	2
18	WASHER SS 1-2 X 1" 304 FLAT	5540	100093	2
19	WASHER AN5	5540	100043	4
20	WASHER AN4	5540	100042	1
21	NUT NYLOC M 8 FULL	5604	100915	1
22	NUT NYLOC M 6	5604	102132	2
23	NUT NYLOC AN5 FULL	5535	100036	1
24	NUT NYLOC AN5 HALF	5561	100037	1
25	NUT NYLOC AN4 FULL	5535	100034	1
26	NUT NYLOC UNC 1-2" FULL	5535	101174	1

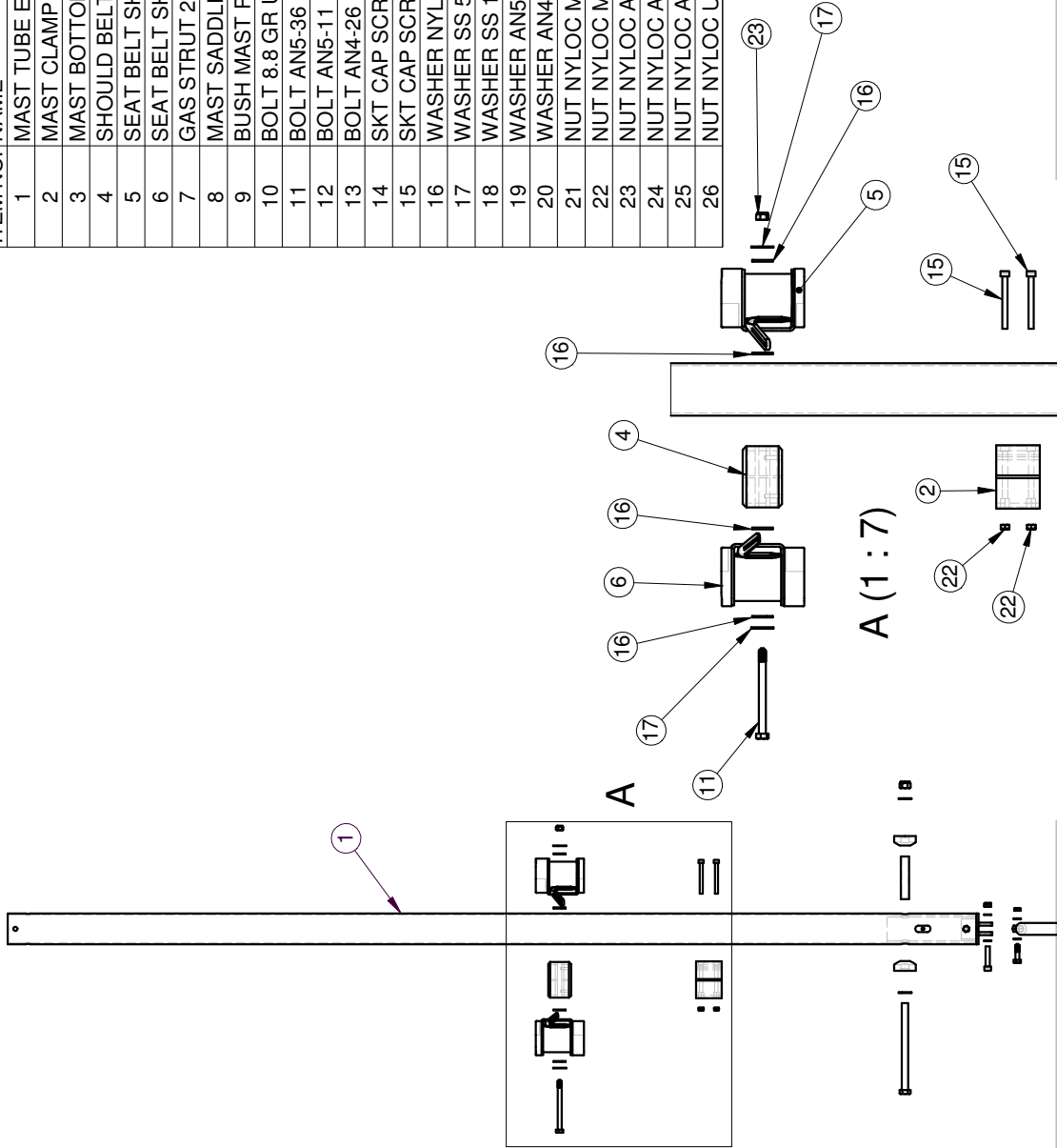


ITEMS 1 THRU 7 ARE THE MAJOR ITEMS IN THE ASSEMBLY, SEE EXPLODED ASSYS FOR BOLTS, NUTS, WASHERS AND BUSHES.

MAST TUBE VERT SUB ASSY XT	
Drawn By Simon	Date 09/05/03
Scale 1:12	5588 SHEET 1 of 3

UPDATE GJP FORMS WITH REV CHANGE	
Rev	Date
1	23/02/04
PARTS UPDATE	
PART NO. 105321 - 0	
LAST ACCESSED: Monday, 9 July 2007	
ALL DIMENSIONS IN MILLIMETERS UNLESS STATED OTHERWISE	

ITEM NO.	NAME	DWG	PART NO.	QTY.
1	MAST TUBE EDGE XT SLEEVED	5232	104728	1
2	MAST CLAMP BLOCK XT (PLASTIC)	5270	104888	1
3	MAST BOTTOM KNUCKLE XT	5262	104886	1
4	SHOULD BELT MAST BLOCK XT	5380	105129	1
5	SEAT BELT SHOULDER REAR XT (LHS)	5487	105587	1
6	SEAT BELT SHOULDER FRONT XT (RHS)	5487	105588	1
7	GAS STRUT 200MM BODY	5607	105149	1
8	MAST SADDLE EDGE XT	5303	104911	2
9	BUSH MAST PIVOT EDGE XT	2088	105425	1
10	BOLT 8.8 GR UNC 1/2X170MM MODIFIED	5661	105327	1
11	BOLT AN5-36 a	5493	100026	1
12	BOLT AN5-11	5493	102743	1
13	BOLT AN4-26 a	5450	100009	1
14	SKT CAP SCREW M 8 X 40	5603	101519	1
15	SKT CAP SCREW SS M 6 X 60	5603	101744	2
16	WASHER NYLON M8 XOD	5540	100820	4
17	WASHER SS 5-16 X 1" X 16g	5540	100714	2
18	WASHER SS 1-2 X 1" 304 FLAT	5540	100093	2
19	WASHER AN5	5540	100043	4
20	WASHER AN4	5540	100042	1
21	NUT NYLOC M 8 FULL	5604	100915	1
22	NUT NYLOC M 6	5604	102132	2
23	NUT NYLOC AN5 FULL	5535	100036	1
24	NUT NYLOC AN5 HALF	5561	100037	1
25	NUT NYLOC AN4 FULL	5535	100034	1
26	NUT NYLOC UNC 1-2" FULL	5535	101174	1

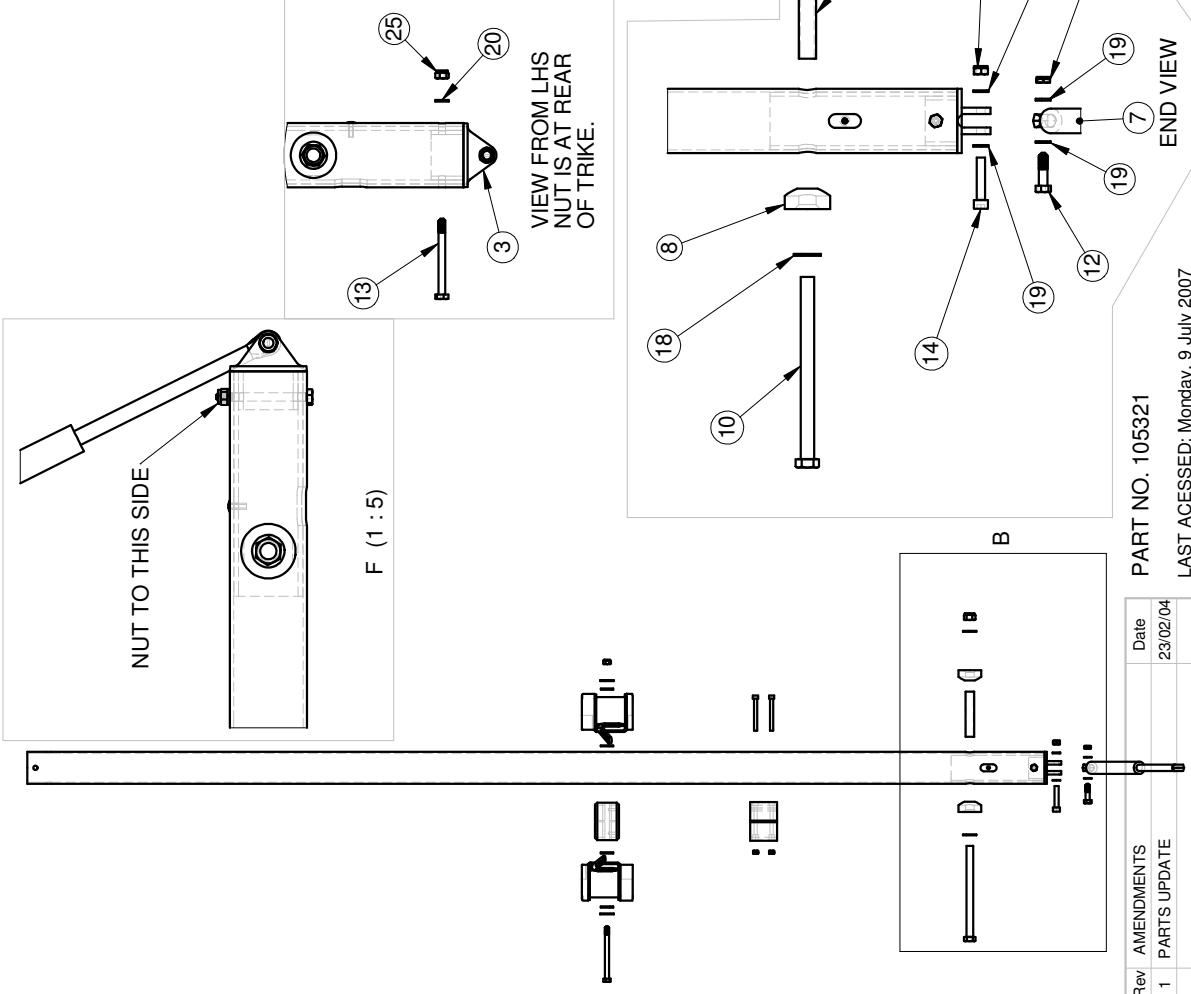


MAST TUBE VERT SUB ASSY XT			
Drawn By	Scale	Date	
Simon	1:12	09/05/03	
			5588
			SHEET 2 of 3

PART NO. 105321
 LAST ACCESSED: Monday, 9 July 2007
 ALL DIMENSIONS IN MILLIMETERS UNLESS STATED OTHERWISE

Rev	AMENDMENTS	Date
1	PARTS UPDATE	23/02/04

ITEM NO.	NAME	DWG	PART NO.	QTY.
1	MAST TUBE EDGE XT SLEEVED	5232	104728	1
2	MAST CLAMP BLOCK XT (PLASTIC)	5270	104888	1
3	MAST BOTTOM KNUCKLE XT	5262	104886	1
4	SHOULD BELT MAST BLOCK XT	5380	105129	1
5	SEAT BELT SHOULDER REAR XT (LHS)	5487	105587	1
6	SEAT BELT SHOULDER FRONT XT (RHS)	5487	105588	1
7	GAS STRUT 200MM BODY	5607	105149	1
8	MAST SADDLE EDGE XT	5303	104911	2
9	BUSH MAST PIVOT EDGE XT	2088	105425	1
10	BOLT 8.8 GR UNC 1/2X170MM MODIFIED	5661	105327	1
11	BOLT AN5-36 a	5493	100026	1
12	BOLT AN5-11	5493	102743	1
13	BOLT AN4-26 a	5450	100009	1
14	SKT CAP SCREW M 8 X 40	5603	101519	1
15	SKT CAP SCREW SS M 6 X 60	5603	101744	2
16	WASHER NYLON M8 XOD	5540	100820	4
17	WASHER SS 5-16 X 1" X 16g	5540	100714	2
18	WASHER SS 1-2 X 1" 304 FLAT	5540	100093	2
19	WASHER AN5	5540	100043	4
20	WASHER AN4	5540	100042	1
21	NUT NYLOC M 8 FULL	5604	100915	1
22	NUT NYLOC M 6	5604	102132	2
23	NUT NYLOC AN5 FULL	5535	100036	1
24	NUT NYLOC AN5 HALF	5561	100037	1
25	NUT NYLOC AN4 FULL	5535	100034	1
26	NUT NYLOC UNC 1-2" FULL	5535	101174	1

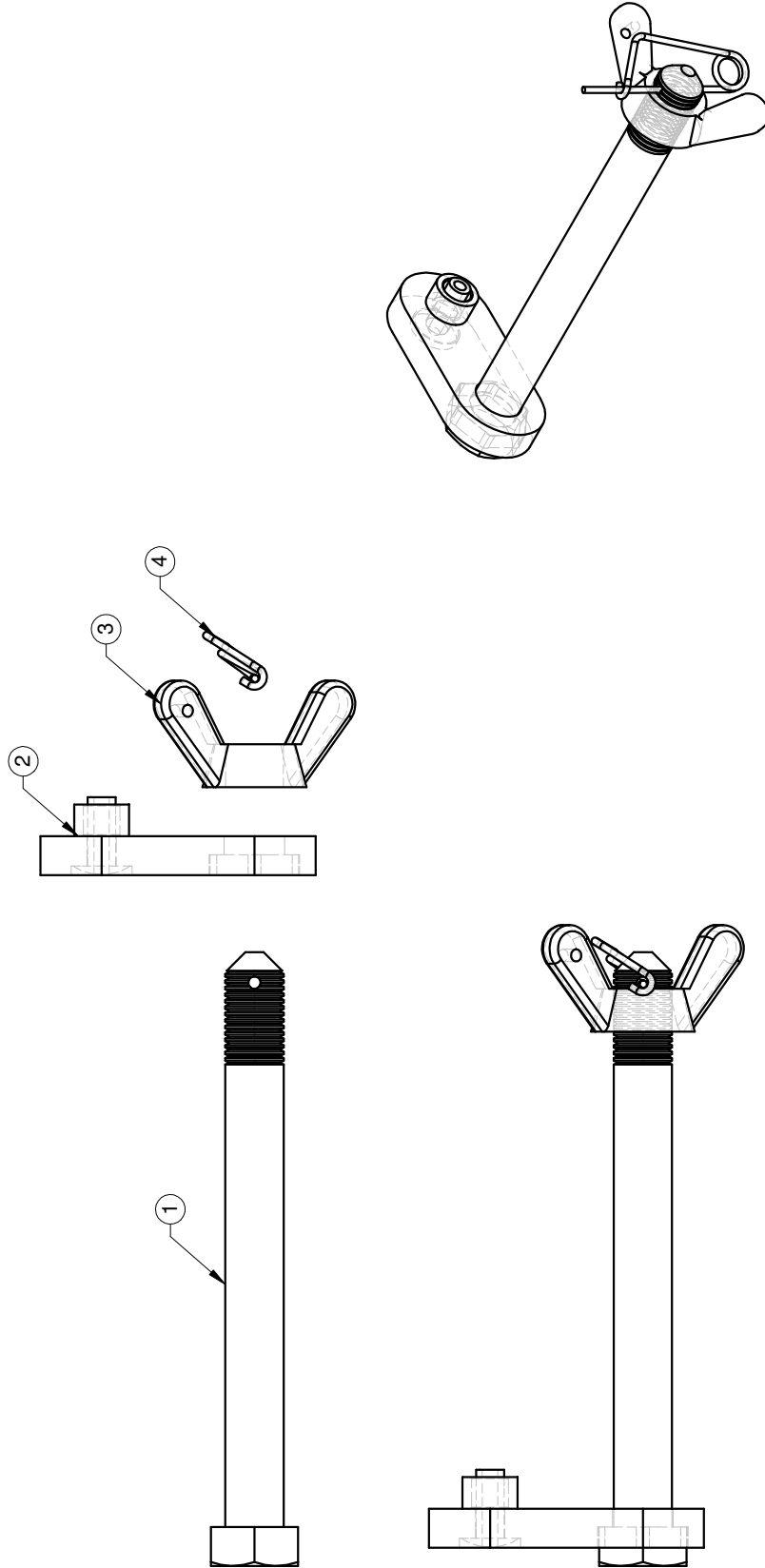


MAST TUBE VERT SUB ASSY XT	
Drawn By	Simon
Scale	1:12
Date	09/05/03
Part No.	5588
SHEET 3 of 3	

Rev	AMENDMENTS	Date
1	PARTS UPDATE	23/02/04

PART NO. 105321
 LAST ACCESSED: Monday, 9 July 2007
 ALL DIMENSIONS IN MILLIMETERS UNLESS STATED OTHERWISE

ITEM NO.	NAME	DWG	PART NO.	QTY.
1	BOLT AN6-35	5494	106347	1
2	RETAINER ASSEMBLY BOLT HEAD	5218	104739	1
3	WINGNUT AN6	5534	101065	1
4	SAFETY PIN	5545	100920	1

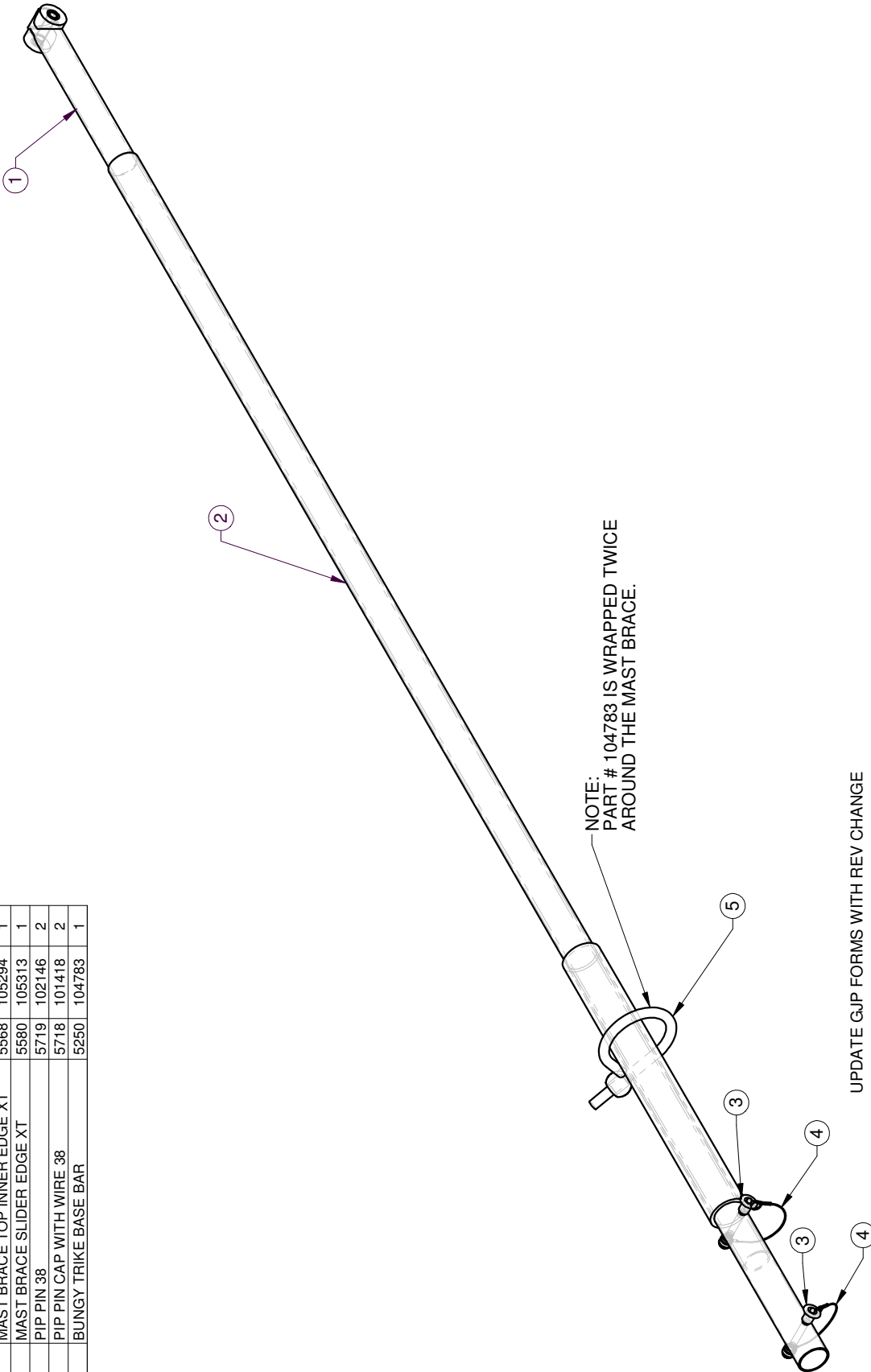


HEART BOLT 35 ASSEMBLY			
Drawn By	Scale	Date	6559
Simon	1:1	24-05-04	SHEET 1 of 1



Rev	AMENDMENTS	Date	PART NO. 106671 -
1	CREATED ASSY, DCR 2025	20-10-04	LAST ACCESSED: Monday, 9 July 2007
			ALL DIMENSIONS IN MILLIMETERS UNLESS STATED OTHERWISE

ITEM NO.	NAME	DWG	PART NO.	QTY.
1	MAST BRACE TOP INNER EDGE XT	5568	105294	1
2	MAST BRACE SLIDER EDGE XT	5580	105313	1
3	PIP PIN 38	5719	102146	2
4	PIP PIN CAP WITH WIRE 38	5718	101418	2
5	BUNGY TRIKE BASE BAR	5250	104783	1



UPDATE GJP FORMS WITH REV CHANGE

PART NO. 105499 -

LAST ACCESSED: Monday, 9 July 2007

ALL DIMENSIONS IN MILLIMETERS UNLESS STATED OTHERWISE

Rev	AMENDMENTS	Date
1	DCR 2295, REFLECT MANUFACTURE	17-05-07

FRONT POLE SUB-ASSEMBLY XT

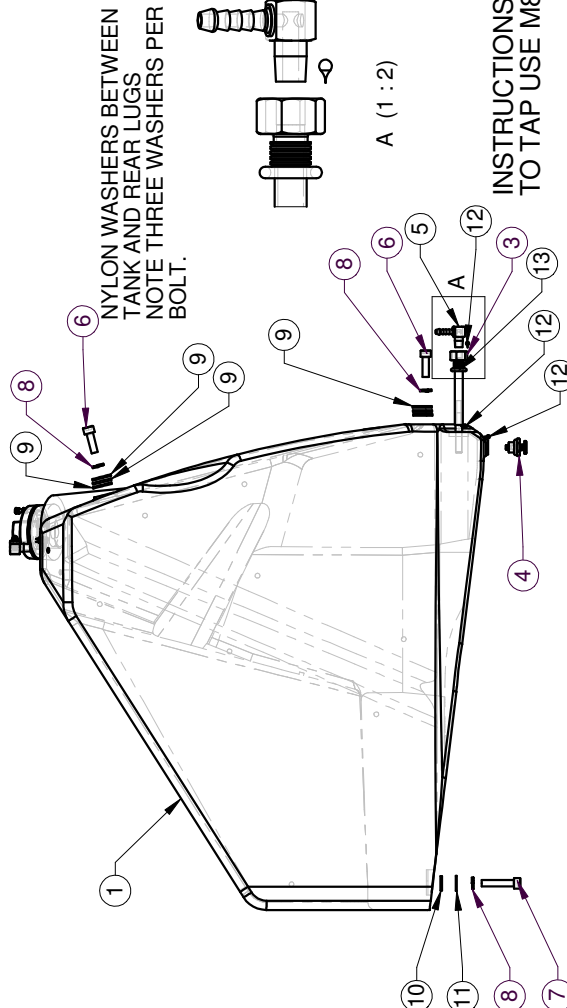
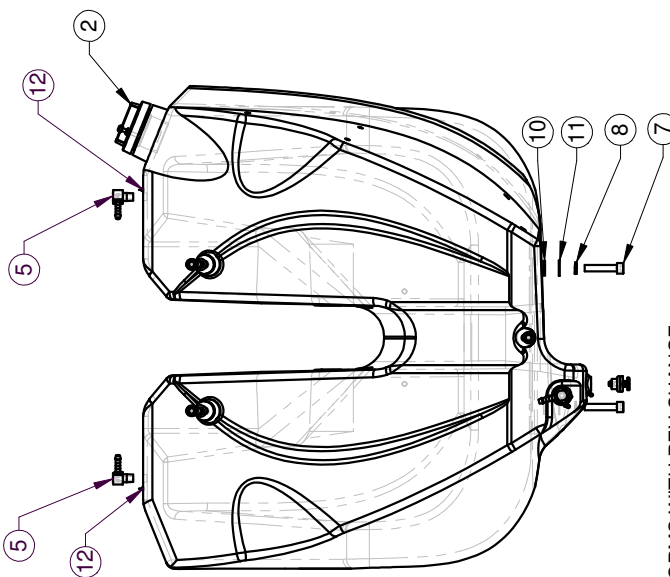
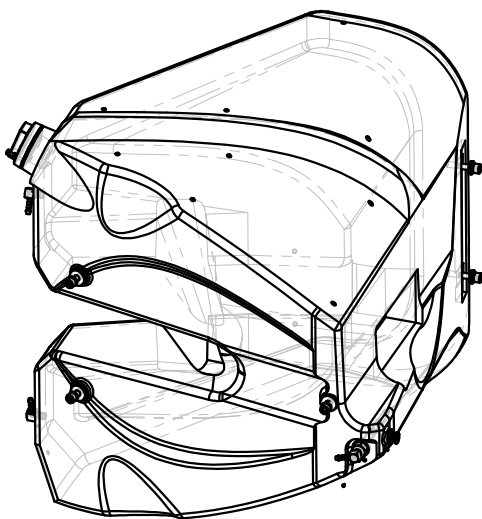
Drawn By	Scale	Date
Cris	1:5	03/06/03



5712
SHEET 1 of 2

ITEM NO.	NAME	DWG	PART NO.	QTY.
1	FUEL TANK POLYETHYLENE EDGE XT	5288	104910	1
2	FUEL CAP SUB-ASSEMBLY XT	5700	105479	1
3	FUEL TANK FILTER-OUTLET ASSEM XT	5931	105753	1
4	DRAIN COCK ASSEM XT	5705	105513	1
5	ELBOW TANK/SIGHT 1/8" BSP BRASS	5528	100876	3
6	SKT CAP SCREW M 8 X 25	5603	100980	3
7	SKT CAP SCREW M 8 X 40	5603	101519	2
8	SPRING WASHER 8 mm ZINC	5679	101366	5
9	WASHER NYLON M8 XOD	5540	100820	9
10	WASHER NYLON M8 STD	5540	100595	2
11	WASHER SS 5-16 X 3-4"	5540	102332	2
12	LOCTITE 567 Thread Sealant	5637	103705	5
13	O-RING FUEL TANK	5932	103181	1

MASS OF TANK AND FUEL
SEE ENG RPT 03/61/DS



NYLON WASHERS BETWEEN
TANK AND REAR LUGS
NOTE THREE WASHERS PER
BOLT.

A (1:2)

INSTRUCTIONS:
TO TAP USE M8

FUEL TANK SUB-ASSEM XT

Drawn By	Scale	Date
Cris	1:8	30/07/03

5923
SHEET 1 of 2



ALL DIMENSIONS IN MILLIMETERS UNLESS STATED OTHERWISE

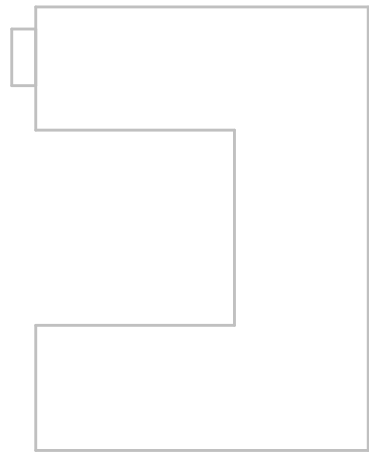
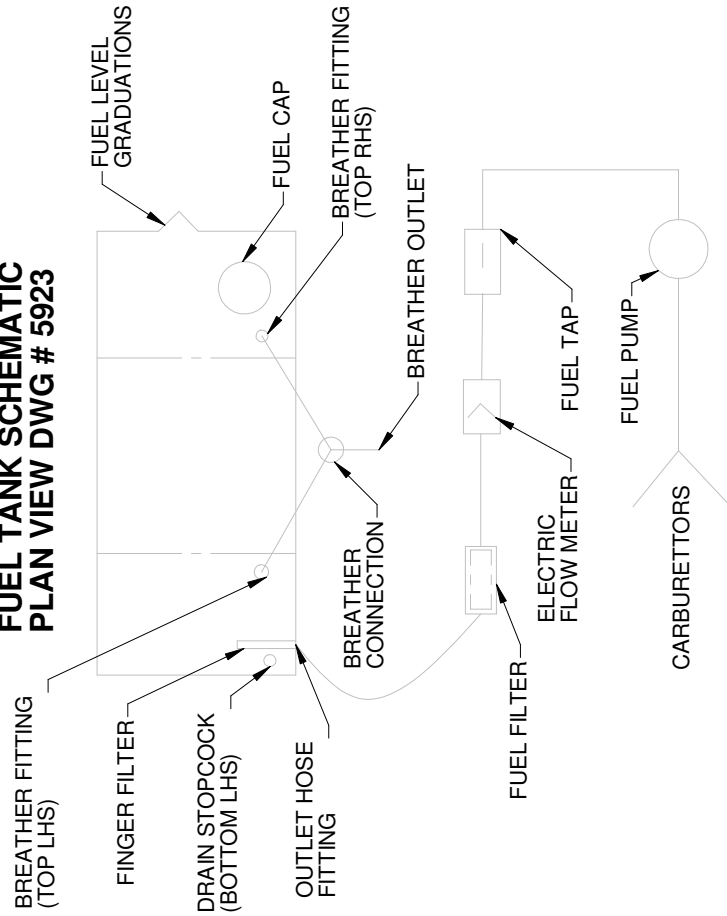
PART NO. 105729 -

LAST ACCESSED: Monday, 9 July 2007

Rev	AMENDMENTS	Date
1	WASHERS AND BOLTS CHANGE	22/03/04
2	DCR 2209, MOVE PARTS FROM 5931	24-01-06

UPDATE GJP FORMS WITH REV CHANGE

**FUEL TANK SCHEMATIC
PLAN VIEW DWG # 5923**



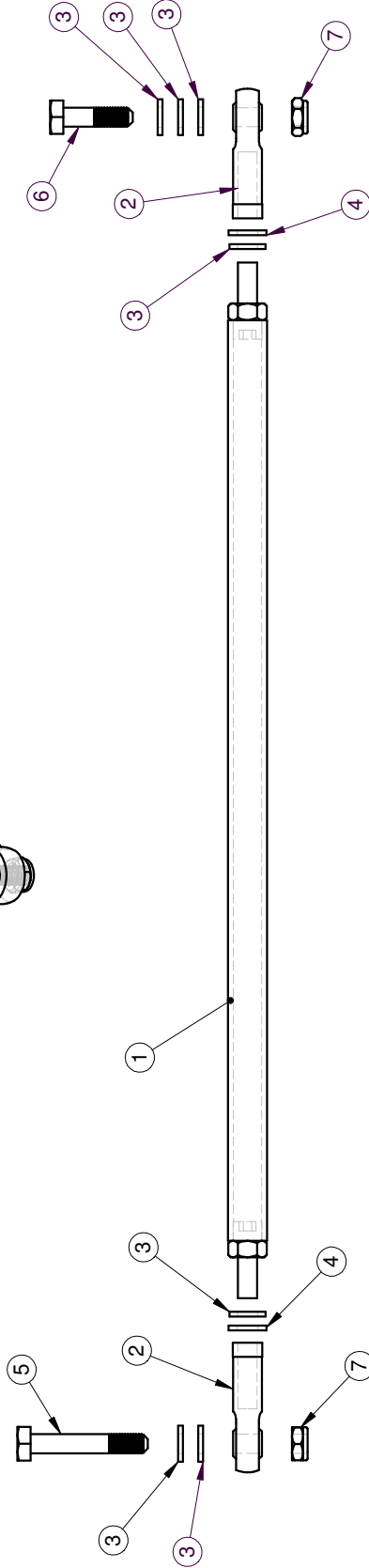
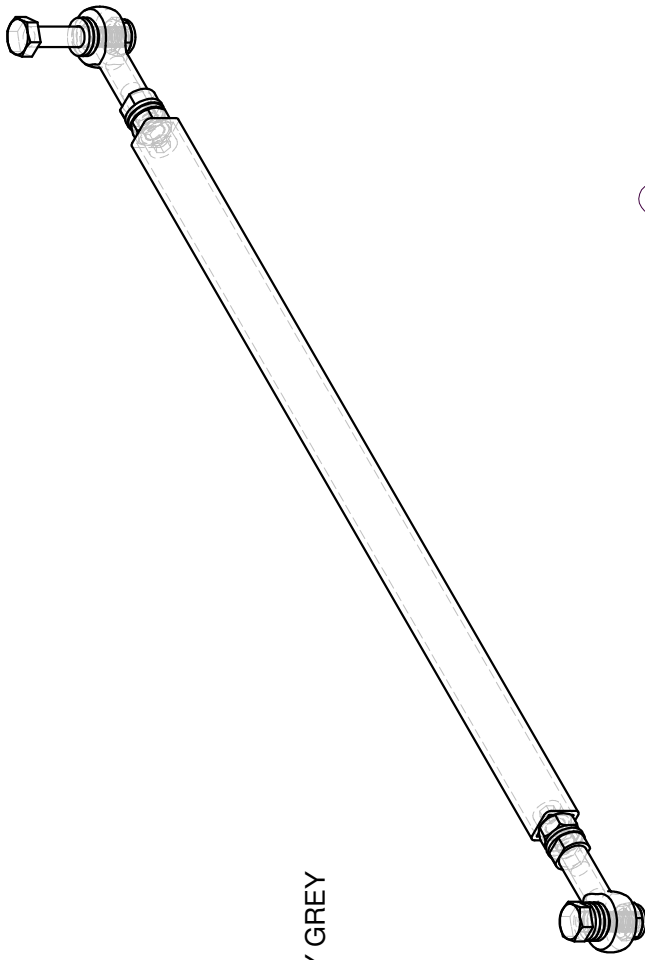
Drawn By Simon	Scale 1:8	Date 02/03/03	5923 SHEET 2 of 2
-------------------	--------------	------------------	----------------------

Rev	AMENDMENTS	Date	PART NO.

LAST ACCESSED: Monday, 9 July 2007
ALL DIMENSIONS IN MILLIMETERS UNLESS STATED OTHERWISE

ITEM NO.	NAME	DWG	PART NO.	QTY.
1	STEERING LINKAGE COMPONENT GREY	5626	105397	1
2	STEERING LINKAGE KNUCKLE	5630	100112	2
3	WASHER NYLON 1-4" OBA THICK	5540	102424	7
4	WASHER AN4	5540	100042	2
5	BOLT AN4-14 a	5450	100559	1
6	BOLT AN4-7	5450	100001	1
7	NUT NYLOC AN4 HALF	5561	100035	2

PART NO. 105398 - STEERING LINKAGE SUB-ASSEMBLY GREY



UPDATE GJP FORMS WITH REV CHANGE

Rev	AMENDMENTS	Date

LAST ACCESSED: Monday, 9 July 2007
ALL DIMENSIONS IN MILLIMETERS UNLESS STATED OTHERWISE

STEERING LINKAGE SUB ASSEMBLY

Drawn By	Scale	Date
Cris	1:2	13/05/03



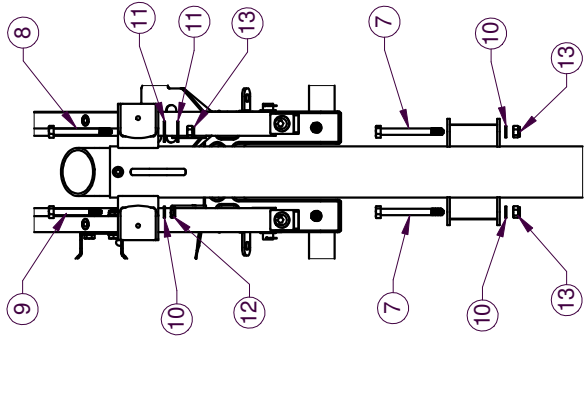
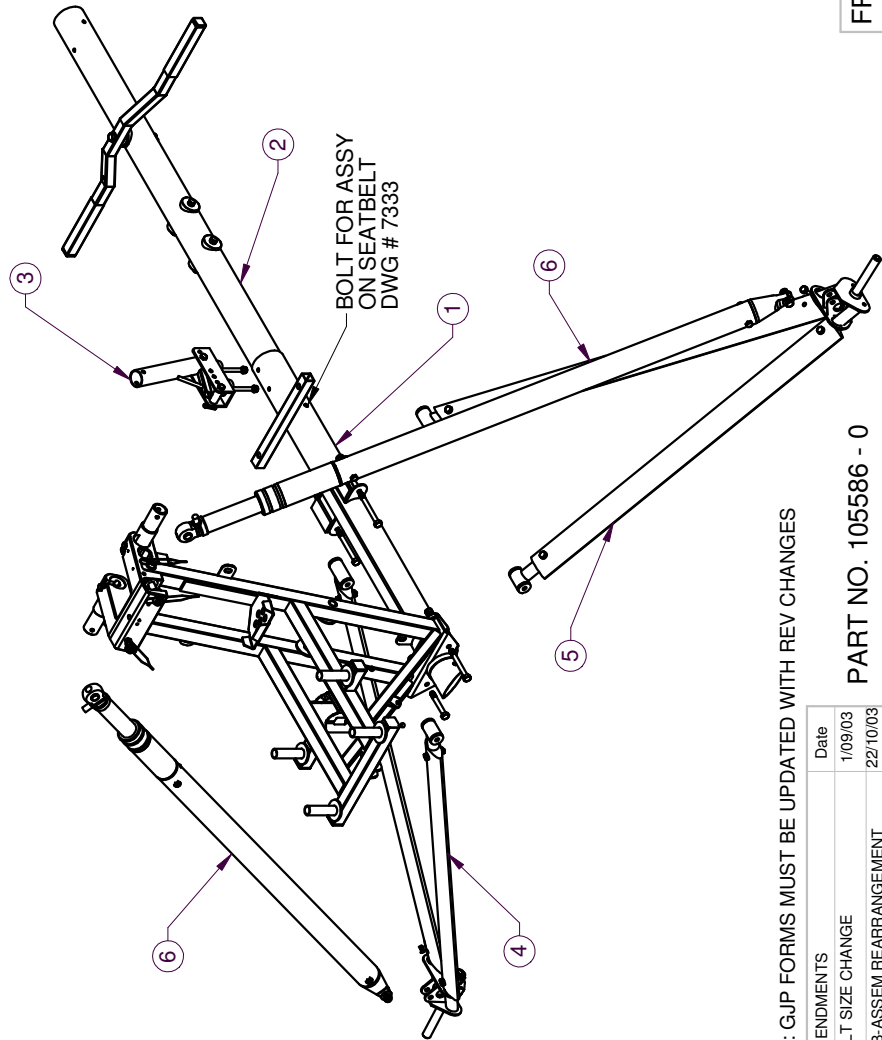
5627
SHEET 1 of 1

3	FRAME SUB-ASSEMBLY XT-912 MK1	-	Drawing # 5787
3.1	<i>Rear End Sub Assem XT-912</i>	-	<i>Drawing # 5659</i>
3.2	<i>Base Tube Sub Assem XT Grey</i>	-	<i>Drawing # 5632</i>
3.3	<i>Seat Front Mount Sub Assem XT</i>	-	<i>Drawing # 5657</i>
3.4	<i>Rear Swing Arm Sub Assem XT LHS</i>	-	<i>Drawing # 5635</i>
3.5	<i>Rear Swing Arm Sub Assem XT RHS</i>	-	<i>Drawing # 5636</i>
3.6	<i>Compression Strut Rear Assem XT</i>	-	<i>Drawing # 5606</i>

NOTE:

OWNERS OF TRIKE SERIAL NUMBERS 1 THRU 179 MANUFACTURED PRIOR TO MAY 2007 SHOULD REFER TO THE SUPPLEMENT CHAPTER 3. "Frame Sub-Assembly XT-912 MK1". THESE DRAWINGS SHOULD BE CONSULTED INSTEAD OF SECTION 2.1 – "Frame Sub-Assembly XT-912 MK2".

ITEM NO.	NAME	DWG PART NO.	QTY.
1	REAR END SUB-ASSEMBLY XT 912	5659 105447	1
2	BASE TUBE SUBASSEMBLY XT GREY	5632 105402	1
3	SEAT FRONT MOUNT SUB-ASSEMBLY XT	5657 105445	1
4	REAR SWING ARM SUB-ASSEMBLY XT LHS	5635 105430	1
5	REAR SWING ARM SUB-ASSEMBLY XT RHS	5636 105431	1
6	COMPRESSION STRUT REAR ASSEMBLY XT	5606 105426	2
7	BOLT AN5-30 a	5493 100021	2
8	BOLT AN5-26 a	5493 104713	1
9	BOLT AN5-22 a	5493 100017	1
10	WASHER AN5	5540 100043	3
11	WASHER SS 5-16 X 1" X 16g	5540 100714	2
12	NUT NYLOC AN5 HALF	5561 100037	1
13	NUT NYLOC AN5 FULL	5535 100036	3



UNDER VIEW
STRUT TO REAR BOLTS

FRAME SUBASSEMBLY XT-912

Drawn By	Scale	Date	5787 SHEET 1 of 1
Cris	1:12	10/07/03	



NOTE: GJP FORMS MUST BE UPDATED WITH REV CHANGES

Rev	AMENDMENTS	Date
1	BOLT SIZE CHANGE	1/09/03
2	SUB-ASSEMBLY REARRANGEMENT	22/10/03
3	PARTS UPDATE	24/02/04
4	DCR 2283, ASM RESTRUCTURE	06-12-06

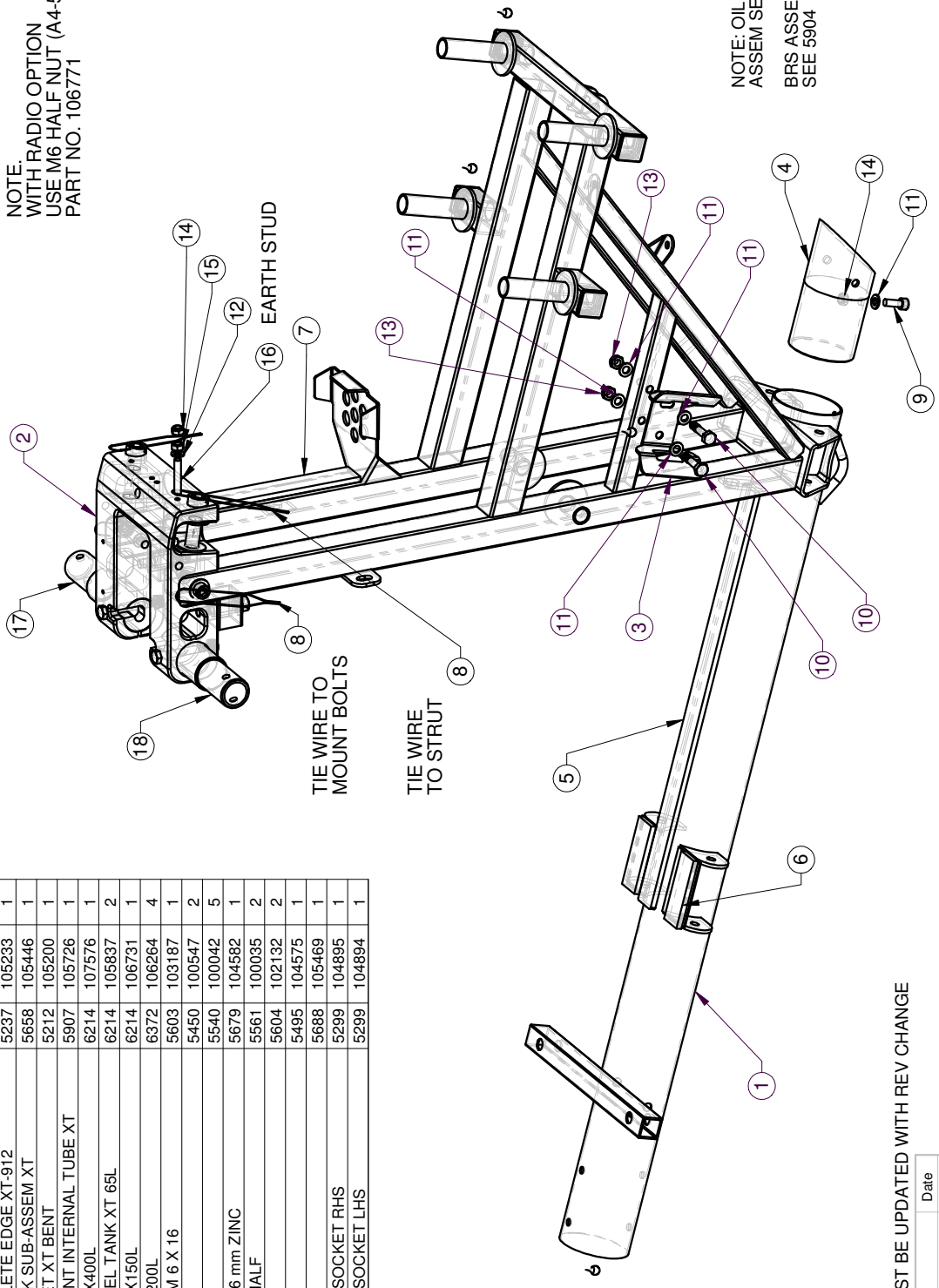
PART NO. 105586 - 0

LAST ACCESSED: Monday, 9 July 2007

ALL DIMENSIONS IN MILLIMETERS UNLESS STATED OTHERWISE

ITEM NO.	NAME	DWG	PART NO.	QTY.
1	REAR END COMPLETE EDGE XT-912	5237	105233	1
2	SEAT MAST BLOCK SUB-ASSEM XT	5658	105446	1
3	OIL TANK BRACKET XT BENT	5212	105200	1
4	PARACHUTE MOUNT INTERNAL TUBE XT	5907	105726	1
5	FOAM BUFFER 25X400L	6214	107576	1
6	FOAM BUFFER FUEL TANK XT 65L	6214	105837	2
7	FOAM BUFFER 25X150L	6214	106731	1
8	TIE WIRE - 0.8D x 200L	6372	106264	4
9	SKT CAP SCREW M 6 X 16	5603	103187	1
10	BOLT AN4-12 a	5450	100547	2
11	WASHER AN4	5540	100042	5
12	SPRING WASHER 6 mm ZINC	5679	104582	1
13	NUT NYLOC AN4 HALF	5561	100035	2
14	NUT NYLOC M 6	5604	102132	2
15	NUT M6 SS 316	5495	104575	1
16	STUD M6x34 SS	5688	105469	1
17	XT OVERCENTER SOCKET RHS	5299	104895	1
18	XT OVERCENTER SOCKET LHS	5299	104894	1

NOTE:
WITH RADIO OPTION
USE M6 HALF NUT (A4-5604)
PART NO. 106771



NOTE: OIL TANK
ASSEM SEE 5857
BRS ASSEM
SEE 5904

TIE WIRE TO
MOUNT BOLTS

TIE WIRE
TO STRUT

REAR END SUB-ASSEMBLY XT 912

Drawn By	Scale	Date	5659 SHEET 1 of 1
Cris	1:5	10/07/03	



NOTE: GJP FORMS MUST BE UPDATED WITH REV CHANGE

Rev	AMENDMENTS	Date
4	EARTH STUD ADDED	7/07/04
5	1/4 SPRING WASHER NOW 6mm DCR 2043	18/10/04
6	DCR 2201, MOV PRTS FROM SEAT BLK ASSY	25-01-06
7	DCR 2217, CHG FOAM LENGTH.	10-02-06
8	DCR 2294, CHG ASM SEQ. PARTS TO 5791.	17-05-07

PART NO. 105447 -

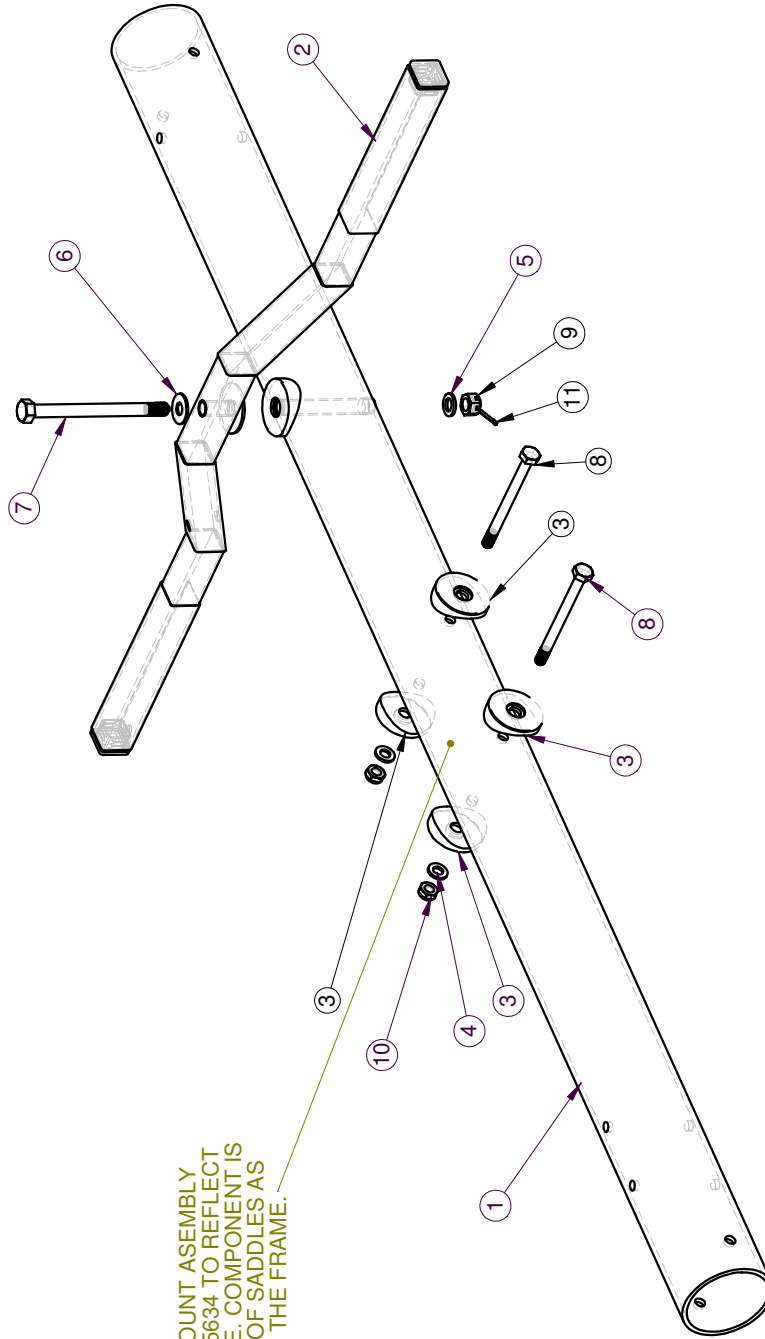
LAST ACCESSED: Monday, 9 July 2007

ALL DIMENSIONS IN MILLIMETERS UNLESS STATED OTHERWISE

PART NO. 105402 - BASE TUBE SUB-ASSEMBLY XT GREY

ITEM NO.	NAME	DWG	PART NO.	QTY.
1	BASE TUBE EDGE XT INCL FITTINGS	5231	104727	1
2	REAR STEERING ARM TYPE 2 GREY	5620	105392	1
3	SADDLE 60MM TUBE	7166	100080	4
4	WASHER AN4	5540	100042	2
5	WASHER AN5	5540	100043	1
6	WASHER SS 5-16 X 3-4"	5540	102332	1
7	BOLT AN5-36	5493	106618	1
8	BOLT AN4-31	5450	100631	2
9	NUT AN5 CASTLE	6297	101182	1
10	NUT NYLOC AN4 HALF	5561	100035	2
11	SPLIT PIN M2.0 x 20	6296	100308	1

MOVED SEAT BASE MOUNT ASSEMBLY PART # 104941 TO A4-5634 TO REFLECT ASSEMBLY SEQUENCE. COMPONENT IS BOLTED ON OUTSIDE OF SADDLES AS THE SEAT IS ADDED TO THE FRAME.



UPDATE GJP FORMS WITH REV CHANGE

Rev.	AMENDMENTS	Date
1	WASHERS DELETED, BOLT CHANGED	24/02/04
2	SHEET NAME CHANGED + BUSH ADDED	2/07/04
3	CASTLE NUT/BOLT + SPLIT PIN (OCR 2009)	27/08/04
4	DCR 2201, MOVED PART TO 5634	19-01-06
5	DCR 2262, ASM SEG CHANGE	18-09-06

LAST ACCESSED: Monday, 9 July 2007

ALL DIMENSIONS IN MILLIMETERS UNLESS STATED OTHERWISE

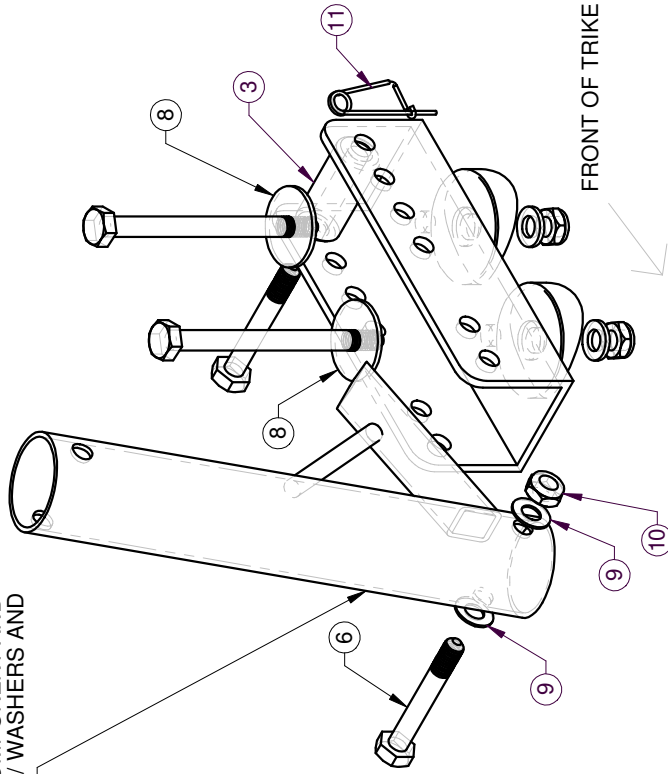
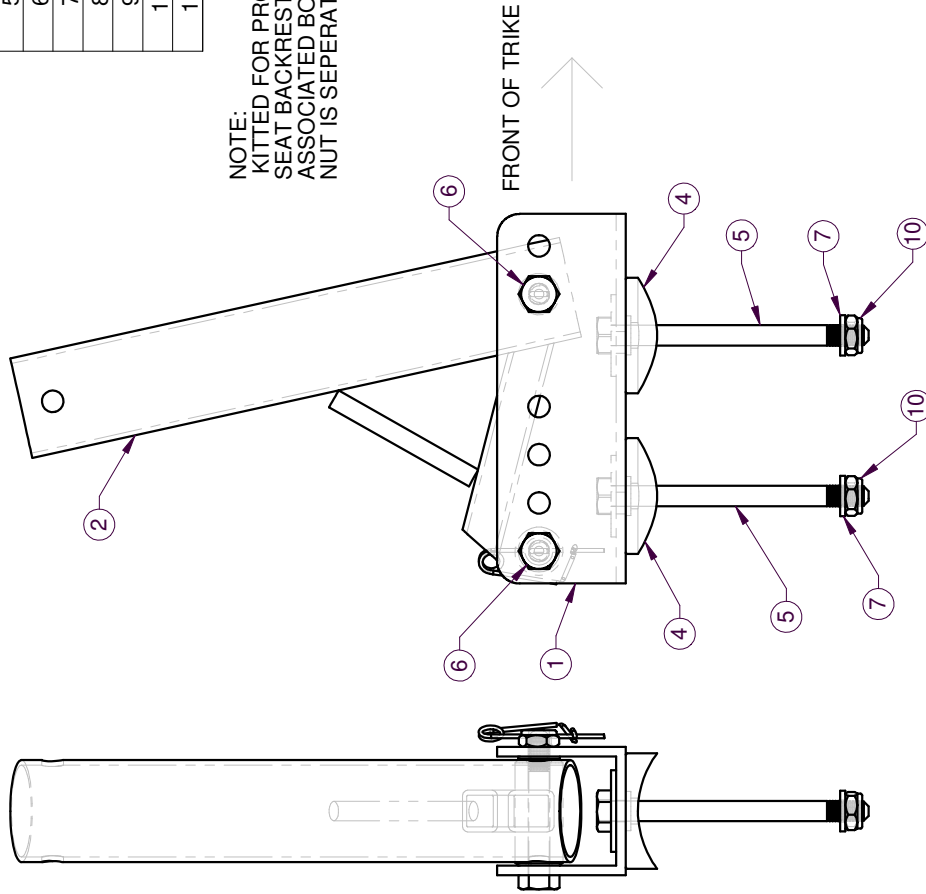
BASE TUBE SUB-ASSEMBLY XT

Drawn By	Scale	Date	5632 SHEET 1 of 1
Cris	1:4	13/05/03	



ITEM NO.	NAME	DWG	PART NO.	QTY.
1	SEAT B-REST MOUNT CHANNEL-(REF TC 4400)	4400	101994	1
2	SEAT BRACKET COMPONENT - (REF TC A4-4403)	4403	101998	1
3	SEAT BACKREST MOUNT BUSH	5638	102122	1
4	SADDLE 60MM TUBE	7166	100080	2
5	BOLT AN4-31	5450	100631	2
6	BOLT AN4-16	5450	100004	2
7	WASHER AN4	5540	100042	2
8	WASHER SS 1-4 X 1"	5540	101455	2
9	WASHER NYLON 1-4" OBA THIN	5540	103961	2
10	NUT NYLOC AN4 HALF	5561	100035	3
11	SAFETY PIN	5545	100920	1

NOTE:
KITTED FOR PRODUCTION AS SHOWN.
SEAT BACKREST COMPONENT AND
ASSOCIATED BOLT / WASHERS AND
NUT IS SEPERATE.



SEAT FRONT MOUNT SUB-ASSEM XT

Drawn By	Scale	Date	5657 SHEET 1 of 1
Cris	1:2	20/05/03	



PART NO. 105445 -

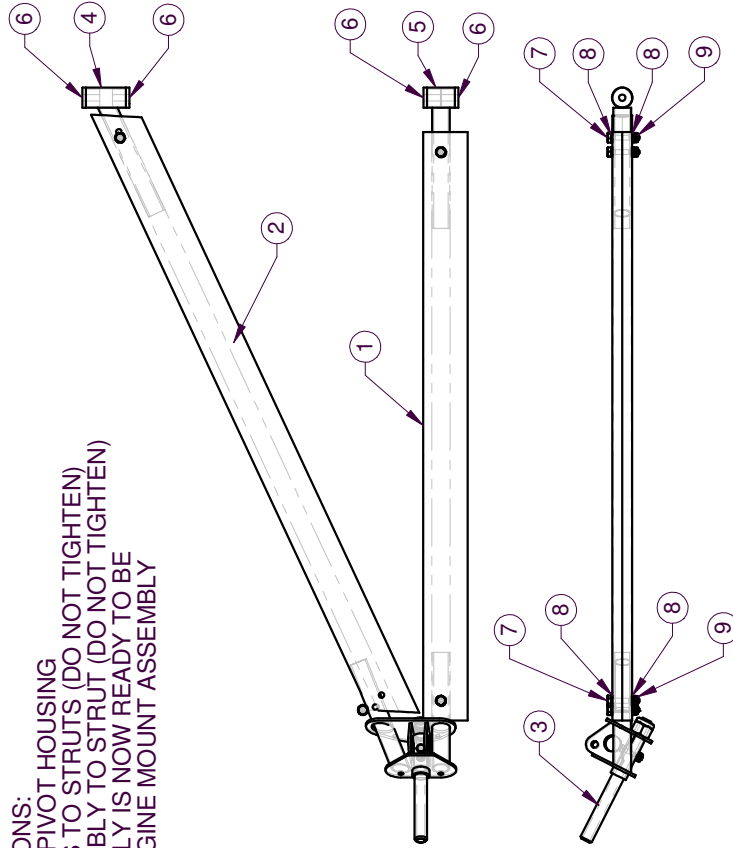
LAST ACCESSED: Monday, 9 July 2007
ALL DIMENSIONS IN MILLIMETERS UNLESS STATED OTHERWISE

UPDATE GJP FORMS WITH REV CHANGE

Rev	AMENDMENTS	Date
1	PARTS UPDATE	24/02/04

ITEM NO.	NAME	DWG	PART NO.	QTY.
1	REAR STRUT FAIRED EDGE XT	5410	105156	1
2	REAR STRUT FAIRED DRAG LINK EDGE XT	5431	105899	1
3	HUB ASSEMBLY REAR EDGE XT LHS	5311	104939	1
4	PIVOT BRACKET DRAG LINK XT GREY	5414	105175	1
5	PIVOT BRACKET REAR STRUT XT	5415	105174	1
6	PIVOT BRACKET ACETAL BUSH XT	5413	105176	4
7	BOLT AN4-13 a	5450	101333	4
8	WASHER AN4	5540	100042	8
9	NUT NYLOC AN4 HALF	5561	100035	4

ASSEMBLY INSTRUCTIONS:
 1. PRESS BUSHES INTO PIVOT HOUSING
 2. ATTACH SUS PIVOTS TO STRUTS (DO NOT TIGHTEN)
 3. ATTACH HUB ASSEMBLY TO STRUT (DO NOT TIGHTEN)
 4 SWING ARM ASSEMBLY IS NOW READY TO BE ATTACHED TO THE ENGINE MOUNT ASSEMBLY



FOR EXPLODED DETAIL VIEW
 SEE RHS SUB-ASSEM A4-5636

REAR SWING ARM SUB-ASSEM XT LHS

Drawn By	Scale	Date	5635 SHEET 1 of 1
Cris	1:8	20/05/03	



PART NO. 105430 -

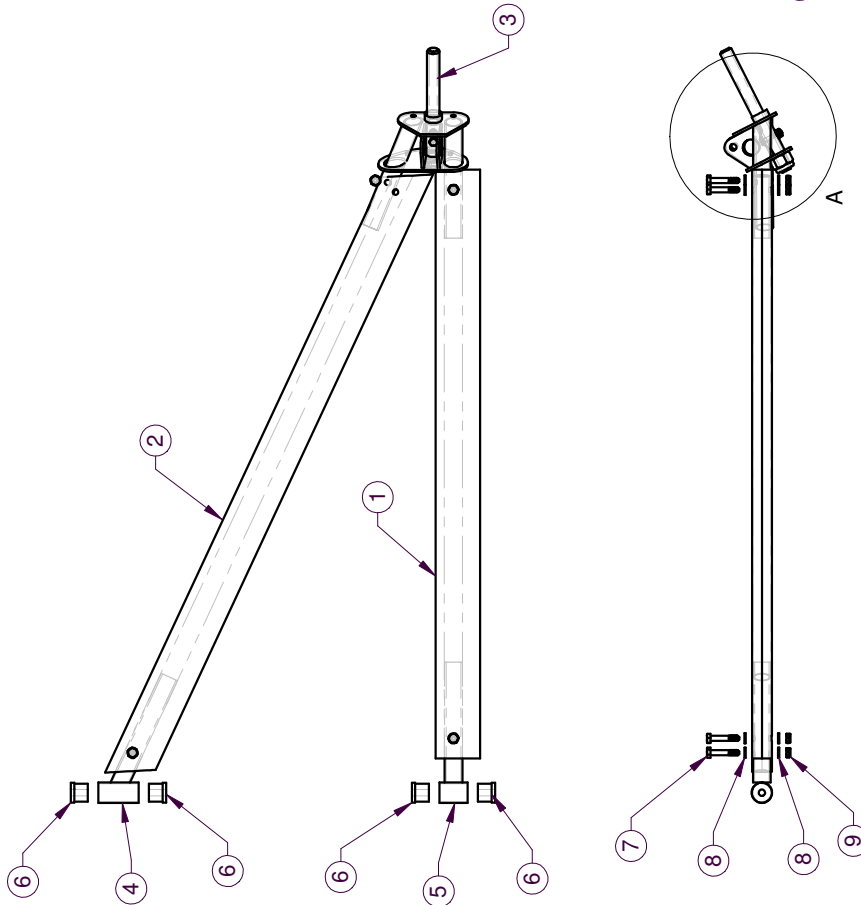
LAST ACCESSED: Monday, 9 July 2007
 ALL DIMENSIONS IN MILLIMETERS UNLESS STATED OTHERWISE

UPDATE GJP FORMS WITH REV CHANGE

Rev	AMENDMENTS	Date
1	UPDATE TO REFLECT MANUFACTURE	10/07/03
2	DRAG LINK CHANGED	24/09/03

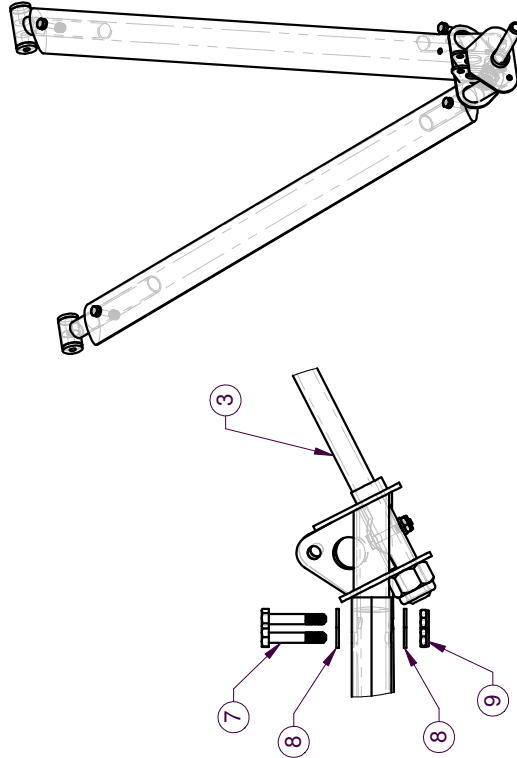
ITEM NO.	NAME	DWG PART NO.	QTY.
1	REAR STRUT FAIRED EDGE XT	5410	1
2	REAR STRUT FAIRED DRAG LINK EDGE XT	5431	1
3	HUB ASSEMBLY REAR EDGE XT RHS	5422	1
4	PIVOT BRACKET DRAG LINK XT GREY	5414	1
5	PIVOT BRACKET REAR STRUT XT	5415	1
6	PIVOT BRACKET ACETAL BUSH XT	5413	4
7	BOLT AN4-13 a	5450	4
8	WASHER AN4	5540	8
9	NUT NYLOC AN4 HALF	5561	4

ASSEMBLY INSTRUCTIONS:
 1. PRESS BUSHES INTO PIVOT HOUSING
 2. ATTACH SUS PIVOTS TO STRUTS (DO NOT TIGHTEN)
 3. ATTACH HUB ASSEMBLY TO STRUT (DO NOT TIGHTEN)
 4 SWING ARM ASSEMBLY IS NOW READY TO BE ATTACHED TO THE ENGINE MOUNT ASSEMBLY



LHS SUB-ASSEM #105430
 SEE A4-5635

A (1 : 4)



REAR SWING ARM SUB-ASSEM XT RHS

Drawn By	Scale	Date	5636
Cris	1:8	15/05/03	SHEET 1 of 1



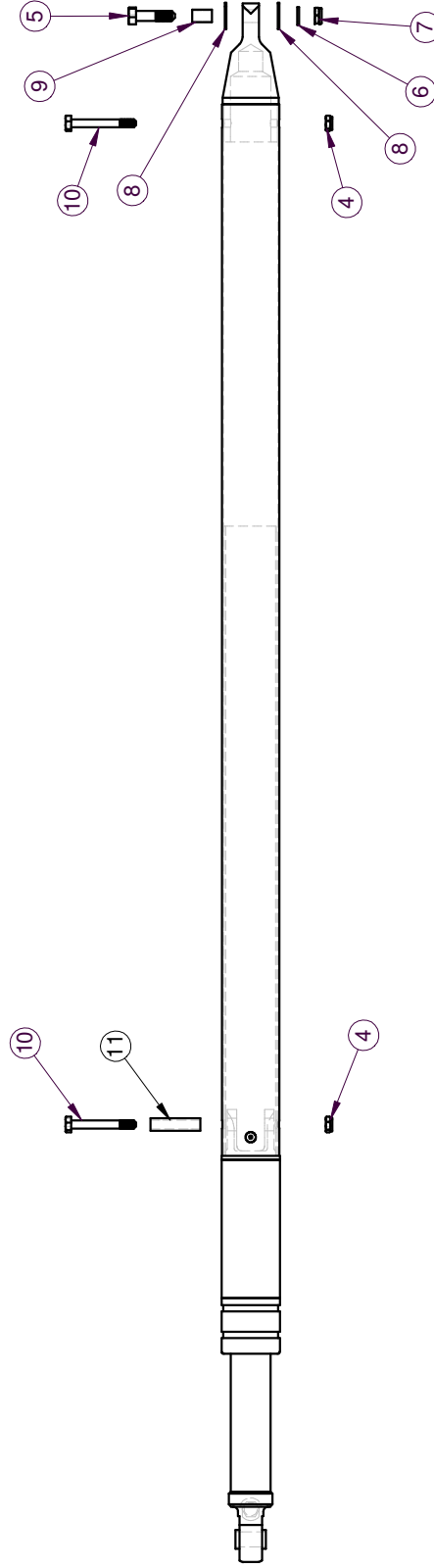
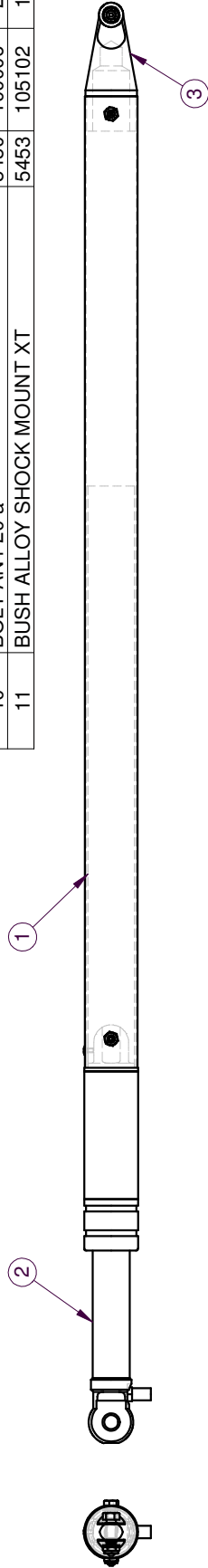
UPDATE GJP FORMS WITH REV CHANGE

Rev	AMENDMENTS	Date
1	UPDATE TO REFLECT MANUFACTURE	10/07/03
2	DRAG LINK CHANGED	24/09/03

LAST ACCESSED: Monday, 9 July 2007
 ALL DIMENSIONS IN MILLIMETERS UNLESS STATED OTHERWISE

PART NO. 105431 -

ITEM NO.	NAME	DWG	PART NO.	QTY.
1	COMPRESSION STRUT XT REAR COMPLETE	5364	105105	1
2	SHOCK ABSORBER REAR XT	5351	105262	1
3	COMPRESSION STRUT KNUCKLE XT LOWER	5318	104951	1
4	NUT NYLOC AN4 HALF	5561	100035	2
5	BOLT AN5-11	5493	102743	1
6	WASHER AN5	5540	100043	1
7	NUT NYLOC AN5 HALF	5561	100037	1
8	WASHER SS 10 X 21mm	5540	103458	2
9	SPACER SS 8 x1.0x15.8L	5451	102901	1
10	BOLT AN4-20 a	5450	100006	2
11	BUSH ALLOY SHOCK MOUNT XT	5453	105102	1



UPDATE GJP FORMS WITH REV CHANGE

Rev	AMENDMENTS	Date
1	BOLT UPDATE	23/02/04
2	DCR 2214, ADD BUSH TO REFLECT MANU	01-02-06

PART NO. 105426 -

LAST ACCESSED: Monday, 9 July 2007

ALL DIMENSIONS IN MILLIMETERS UNLESS STATED OTHERWISE

COMPRESSION STRUT REAR ASSEM XT

Drawn By	Scale	Date
Simon	1:5	09/05/03

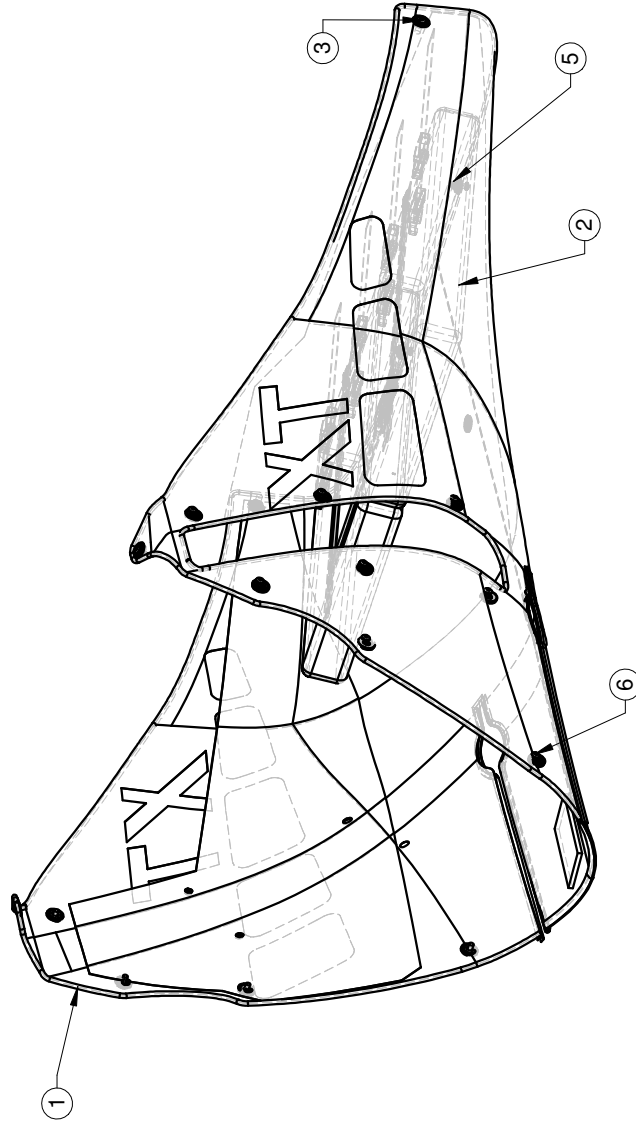


5606
SHEET 1 of 1

4 SEAT, BELTS, SOFT SIDE ASSEMBLY XT - Drawing # 6225

NOTE:
THE SEAT PART# 105848 IS ASSEMBLED
ON DWG # 5634 IN ACCORDANCE WITH
BUILD SEQUENCE.

ITEM NO.	NAME	DWG PART NO.	QTY.
1	SOFTSIDE SUB-ASSEM XT	6224 105849	1
2	SEAT BAG COMPLETE - XT	5505 106348	1
3	SKT BUTTON SCREW M6 x 16	5677 101752	2
4	SKT BUTTON SCREW M5 x 16	5677 103182	2
5	NUT NYLOC M 5 FULL	5604 101365	2
6	SKT BUTTON SCREW M5 x 10	5677 106172	14



Rev	AMENDMENTS	Date
1	DCR 2212, MOVE SEAT TO 5634	25-01-06
2	DCR 2288, MOVE 105409 TO 5564	03-10-06
2	DCR 2283, ASM RESTRUCT, RENAME	06-12-06

PART NO. 105850 -

LAST ACCESSED: Wednesday, 6 December 2006
ALL DIMENSIONS IN MILLIMETERS UNLESS STATED OTHERWISE

SOFT SIDE ASM XT STD

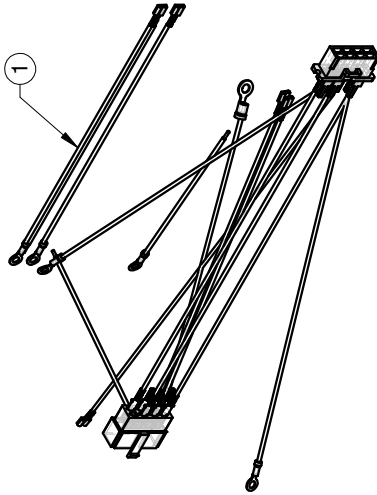
Drawn By	Scale	Date
Cris	1:7	29/08/03

6225
SHEET 1 of 1

5 ELECTRICAL WIRING - Drawing # 6300

- 5.1 *Capacitor Regulator Sub-Assembly XT - Drawing # 6282*
- 5.2 *Please read the note on the drawing for the new location of wires.*

ITEM NO.	NAME	DWG	PART NO.	QTY.
1	WIRING LOOM CAP-REG SUB-ASSEM XT	6282	105951	1



OTHER ELECTRICAL COMPONENTS:

- IGNITION SWITCH, DWG 6241
- RELAY WIRING, DWG 6541
- DATA SIGNAL, DWG 6945
- PLUG TO ENGINE, DWG 6945
- MISC SUB ASSY, DWG 6945
- XT STD DASH - 5969
- XT OUTBACK DASH - 7320
- XT MAIN LOOM - 7333
- WIRING LOOM IGNITION WITH CRIMPS XT - 7333,4 - 7411,2

WIRING ELECTRICAL ASSEM XT

Drawn By	Scale	Date	6300 SHEET 1 of 1
Cris	1:4.5	11/09/03	

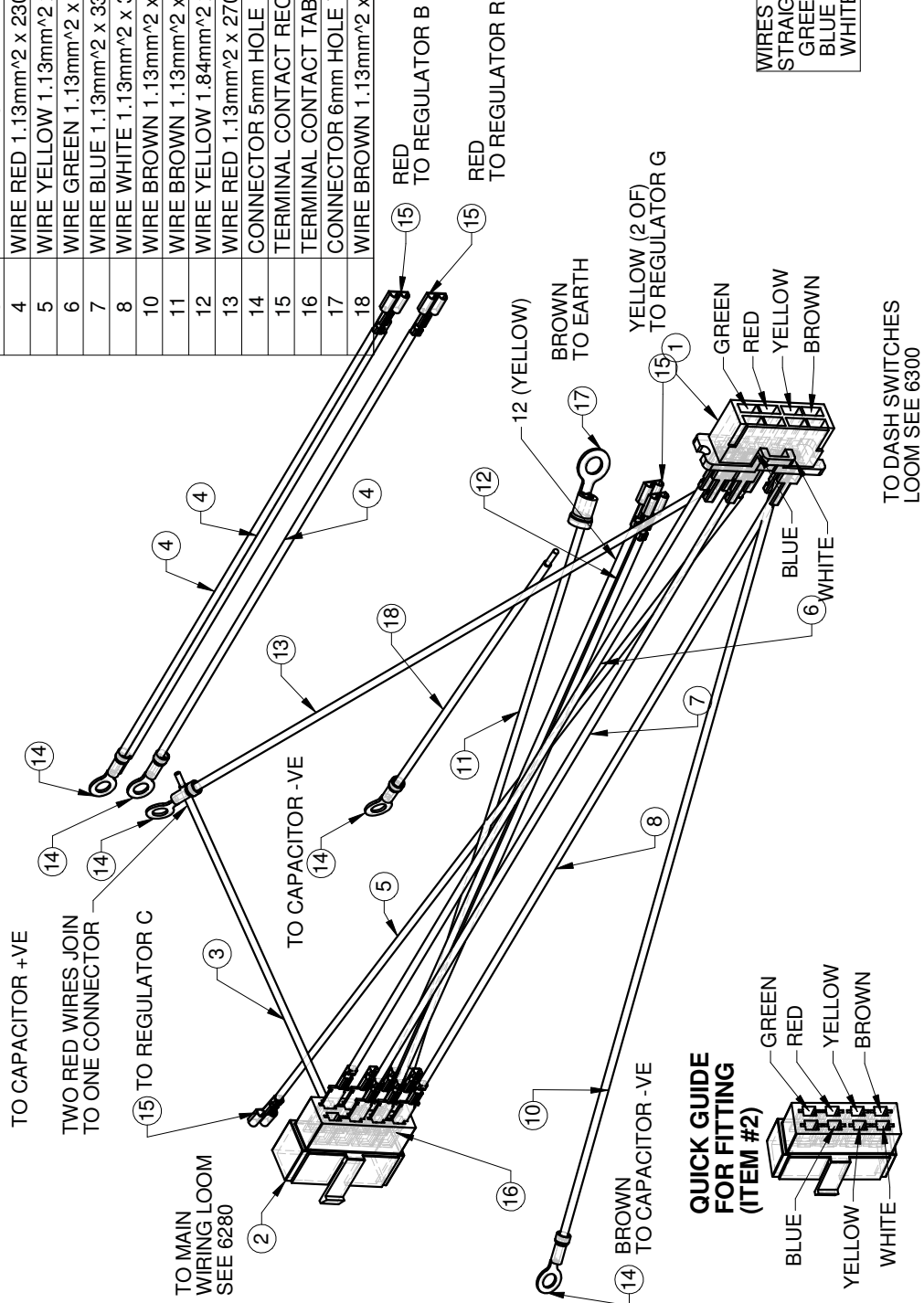


PART NO. 105900 -

LAST ACCESSED: Monday, 9 July 2007
ALL DIMENSIONS IN MILLIMETERS UNLESS STATED OTHERWISE

Rev	AMENDMENTS	Date
2	DCR 2052, NEW IGNITION WIRES	28-10-04
3	DCR 2246, ENGINE RESTRUCTURE	19-05-06
4	DCR 2282, MOVE WIRES TO DASHES	30-11-06
5	DCR 2283, ASM RESTRUCTURE	06-12-06
5	MOVE 106655 TO 7333,4 & 7411,2	12-04-07

ITEM NO.	NAME	DWG	PART NO.	QTY.
1	CONNECTOR 8 PIN WHITE PLUG	6230	103127	1
2	CONNECTOR 8 PIN WHITE SOCKET	6231	103128	1
3	WIRE RED 1.13mm ² x 145	6270	105907	1
4	WIRE RED 1.13mm ² x 230	6270	105909	3
5	WIRE YELLOW 1.13mm ² x 420	6270	105920	1
6	WIRE GREEN 1.13mm ² x 330	6270	105916	1
7	WIRE BLUE 1.13mm ² x 330	6270	105915	1
8	WIRE WHITE 1.13mm ² x 330	6270	105923	1
10	WIRE BROWN 1.13mm ² x 300	6270	105928	1
11	WIRE BROWN 1.13mm ² x 220	6270	105927	1
12	WIRE YELLOW 1.84mm ² x 260	6270	105919	2
13	WIRE RED 1.13mm ² x 270	6270	105908	1
14	CONNECTOR 5mm HOLE BLUE	6251	103847	5
15	TERMINAL CONTACT RECEPTICAL	6228	103119	12
16	TERMINAL CONTACT TAB	6229	103120	7
17	CONNECTOR 6mm HOLE YELLOW	6252	102232	1
18	WIRE BROWN 1.13mm ² x 160	6270	105925	1



WIRING LOOM CAP-REG SUB-ASSEM XT	
Drawn By	Date
Cris	10/09/03
Scale	1:2
6282 SHEET 1 of 1	

AirBorne
AUSTRALIA

Part No. 105951 -
LAST ACCESSED: Monday, 9 July 2007
ALL DIMENSIONS IN MILLIMETERS UNLESS STATED OTHERWISE

Rev	AMENDMENTS	Date
1	REGULATOR WIRE CHANGED TO 15A	06-09-04

6 WINDSCREEN / DASH SUB ASSEM

6.1 Dash Sub Assem

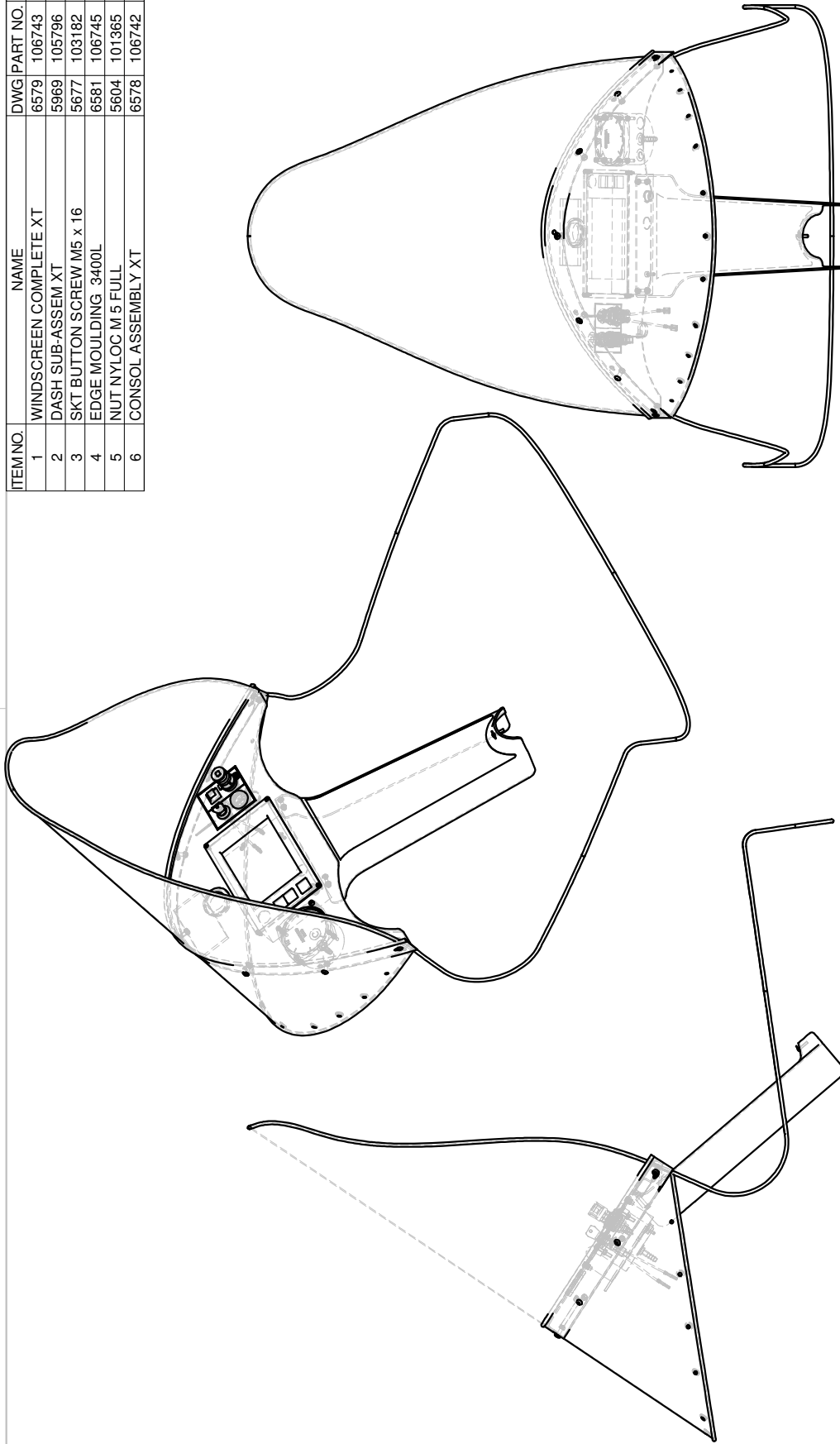
6.2 Consol Assem

- **Drawing # 6899**

- *Drawing # 5969*

- *Drawing # 6578*

ITEM NO.	NAME	DWG PART NO.	QTY.
1	WINDSCREEN COMPLETE XT	6579 106743	1
2	DASH SUB-ASSEM XT	5969 105796	1
3	SKT BUTTON SCREW M5 x 16	5677 103182	8
4	EDGE MOULDING 3400L	6581 106745	1
5	NUT NYLOC M 5 FULL	5604 101365	8
6	CONSOL ASSEMBLY XT	6578 106742	1



NOTE:
 ITEM # 4 : THE EDGE MOULDING IS SHOWN IN ASSEMBLED SHAPE.
 SUPPLIED IN KIT UNASSEMBLED, AND NOT CUT TO LENGTH.

WINDSCREEN / DASH SUB ASSEM XT	
Drawn By	Simon
Scale	1:8
Date	20-01-06
Part No.	6899
SHEET 1 of 1	

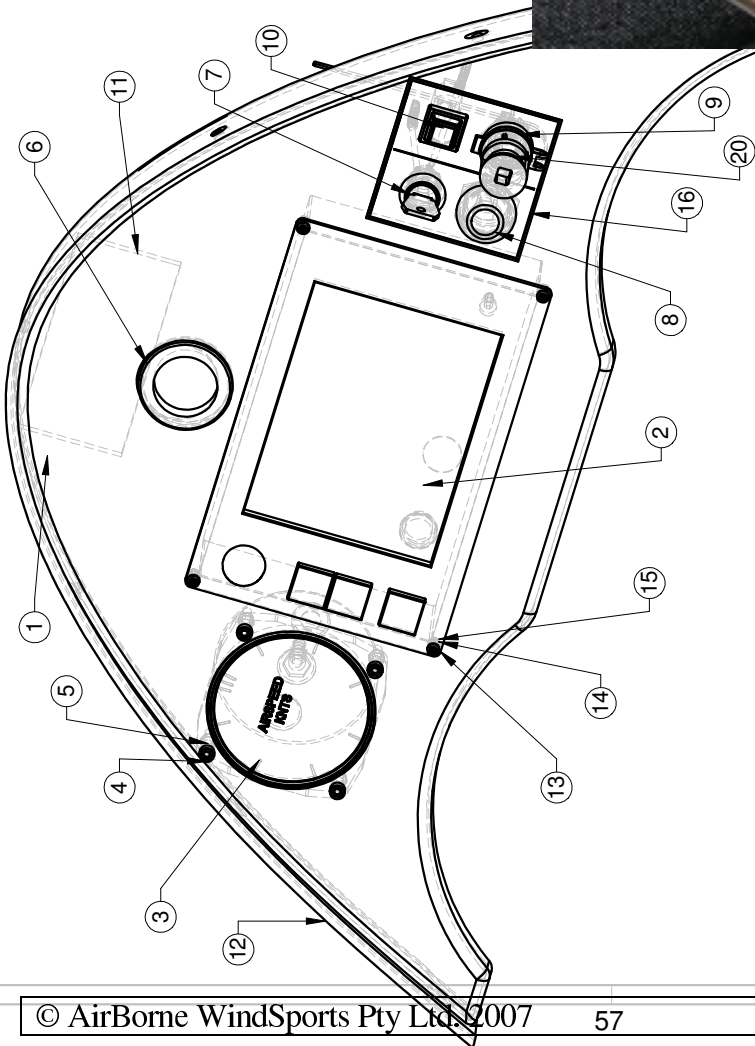
Rev	AMENDMENTS	Date
1	DCR 2203, CREATED TO REFLECT MANU.	20-01-06

PART NO. 107514

LAST ACCESSED: Monday, 9 July 2007

ALL DIMENSIONS IN MILLIMETERS UNLESS STATED OTHERWISE

ITEM NO.	NAME	DWG	PART NO.	QTY.
1	DASH DRILLED XT	5968	105795	1
2	AMPTRONIC COMPUTER SCREEN	5971	105797	1
3	ASI 0-100 KTS 3.25"	5972	300019	1
4	SKT CAP SCREW SS M 4 X 25	5603	100923	4
5	NUT NYLOC M 4	5604	100911	4
6	GROMMET RUBBER 40x30mm	5974	100903	1
7	SWITCH KEY WITH WIRES	6241	106760	1
8	BUTTON PUSH W/PROOF	6242	103849	1
9	SOCKET OUTLET DC DIN ISO 4165	6243	103072	1
10	BREAKER CIRCUIT 10AMP	6244	103888	1
11	SEAMSTICK 18MM	6565	106642	1
12	PIPING 6MM DASH CUT AND PUNCHED	6566	106676	1
13	SCREW M3 x 12 PHILIPS HEAD	6591	106783	4
14	WASHER STAR M3	6592	106784	4
15	NUT NYLOC M 3 FULL SS	5604	104306	4
16	PLACARD SET XT DASH	6868	107387	1
17	HOSE BUSH 6ID x 10L	5726	106720	1
18	WIRING LOOM DASH SWITCHS SUB-ASSEM XT	6281	105950	1
19	WIRING LOOM MAIN SWITCH RELAY	6541	106630	1
20	PLUG DC DIN ISO 4165 STND	7455	103073	1
21	CABLE TIE MED	5605	101193	1



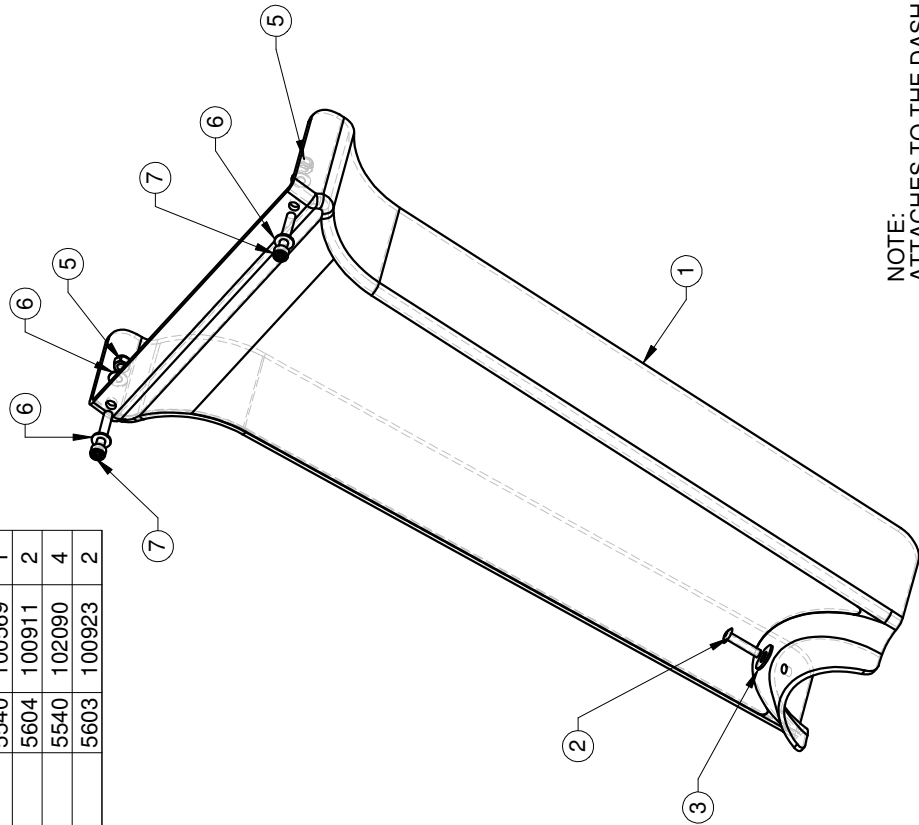
NOTE:
WIRING LOOMS ARE NOT SHOWN
ON THE DRAWING.

DASH SUB-ASSEM XT	
Drawn By	Date
Cris	02/09/03
Scale	1:3
AirBorne AUSTRALIA	
5969 SHEET 1 of 1	

Rev	AMENDMENTS	Date
4	DCR 2174, CHG TO S3 CRUIZE PLCRD	21-09-05
5	DCR 2282, MOVE WIRES, ADD CLAMP	30-11-06
6	DCR 2305, ADD 103073	08-06-07
7	ADDED PHOTOGRAPH REAR DASH	18/06/07

PART NO. 105796 -
LAST ACCESSED: Monday, 18 June 2007
ALL DIMENSIONS IN MILLIMETERS UNLESS STATED OTHERWISE

ITEM NO.	NAME	DWG	PART NO.	QTY.
1	CONSOLE INSTRUMENT F/GLASS EDGE X/XT	5756	103856	1
2	POP RIVET 5/32" LONG (5-8)	5515	102417	1
3	WASHER SS 3-16 X 1-2"	5540	100569	1
5	NUT NYLOC M 4	5604	100911	2
6	WASHER SS M4 STD	5540	102090	4
7	SKT CAP SCREW SS M 4 X 25	5603	100923	2



NOTE:
ATTACHES TO THE DASH.
ASSEMBLY SEQUENCE IS:
BOLT, WASHER, DASH, CONSOLE, WASHER, NUT.

PART NO. 106742 -

Rev	AMENDMENTS	Date
1	DCR 2215, CHNG WASHER TO REFLECT BUILD	01-02-06
2	DCR 2308, ADD WASHER TO REFL BUILD	20-06-07

LAST ACCESSED: Monday, 9 July 2007
ALL DIMENSIONS IN MILLIMETERS UNLESS STATED OTHERWISE

CONSOL ASSEMBLY XT

Drawn By	Scale	Date
Cris	1:3	16/11/04

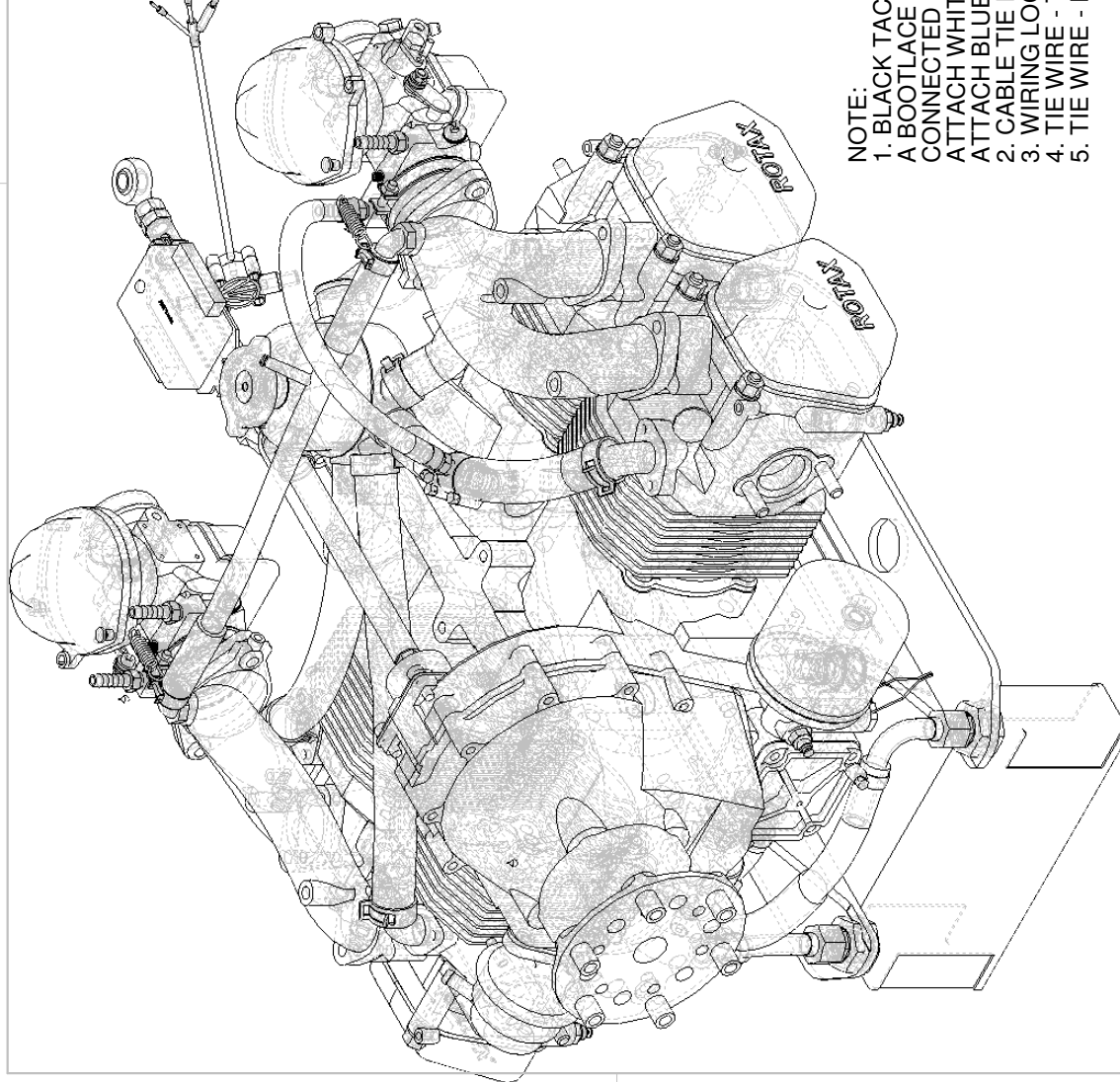
6578
SHEET 1 of 1

7 ENGINE XT-912 FOR ASSEM

7.1 XT912-B Unique Engine Parts

- **Drawing # 6945**
- *Drawing # 6772*

ITEM NO.	NAME	DWG PART NO.	QTY.
1	ENGINE 912XT ROTAX WIP	5797	107813
2	TIE WIRE - 0.8D x 200L	6372	106264
3	CARBY HEATER BLOCK ASSEMBLY	5616	105403
4	HOSE CLAMP 5/8 INCH	5887	107650
5	WASHER SS 3-8 X 3-4"	5540	100924
6	SKT CAP SCREW M 10 X 30 DRILLED	5603	105944
7	TIE WIRE - 0.8D x 500L	6372	105584
8	ENGINE MOUNT ANGLE BRKT 912 RHS	5238	104737
9	ENGINE MOUNT ANGLE BRKT 912 LHS	5238	104736
10	TOP LINK ASSEMBLY XT-912	5722	105515
11	WIRING DATA SIGNAL SUB-ASSEM XT	6285	105955
12	OIL LINES ASSEMBLY XT-912	5853	105660
13	WIRING LOOM PLUG TO ENGINE SUB-ASSEM XT	6283	105952
14	WIRING MISCELLANEOUS SUB-ASSEM XT	6284	105954
15	FUEL FLOW SENDER COMPLETE	5919	105289
16	CARBY HEAT HOSE240 EN-CH XT-912	5883	105692
17	HOSE CLAMP 6MM	5887	100099
18	CABLE TIE (SHORT) 98MM	5605	101192
19	CABLE TIE MED	5605	101193
20	CABLE TIE LONG	5605	101194
21	SCREW SELF-TAPPING 1-2x6g 304SS	5909	104188
22	CONNECTOR BOOT LACE FERREL	6275	105873
23	NUT NYLOC M 6	5604	102132
24	LOCTITE 243 Blue Med Strength	5637	103706
25	WASHER SS 3-16 X 7-16" 304 FLAT	5540	100055
26	ADAPTER CARBY HEATER 912 INCL TAILPIECE	7456	108648



THIS ASSEMBLY REPRESENTS THE ENGINE AS IT IS DELIVERED FROM THE ENGINE ASSEMBLY AREA TO TRIKE BASE ASSEMBLY.

NOTE:

1. BLACK TACHO WIRE FROM THE ENGINE IS CUT TO 400mm LENGTH. A BOOTLACE FERRULE IS ADDED TO EACH WIRE WHICH IS CONNECTED TO THE SKYDAT DATA BOX IN THE FOLLOWING WAY: ATTACH WHITE WIRE TO RPM; GND. ATTACH BLUE WIRE TO RPM; RPM.
2. CABLE TIE NUMBERS ARE APPROXIMATE.
3. WIRING LOOMS AND CABLE TIES HAVE BEEN HIDDEN
4. TIE WIRE - TIE ROD TO SEAT/MAST BLOCK
5. TIE WIRE - ENGINE SUMP BANJO BOLT

PART NO. 107814

Rev	AMENDMENTS	Date
1	DCR 2246, ENGINE RESTRUCTURE	17-05-06
2	DCR 2297, FIX SCREW 104188	17-05-07
3	DCR 2306, ADD 108648 - PRESS TESTED	18-06-07

LAST ACCESSED: Monday, 9 July 2007

ALL DIMENSIONS IN MILLIMETERS UNLESS STATED OTHERWISE

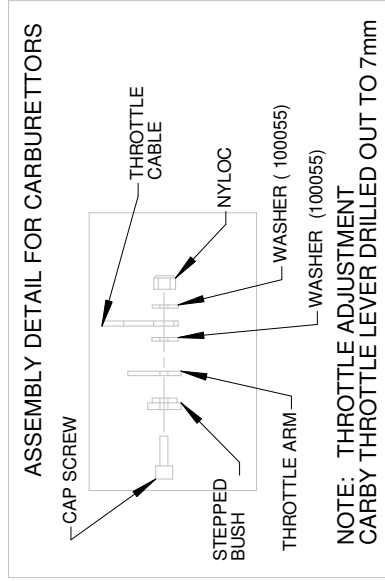
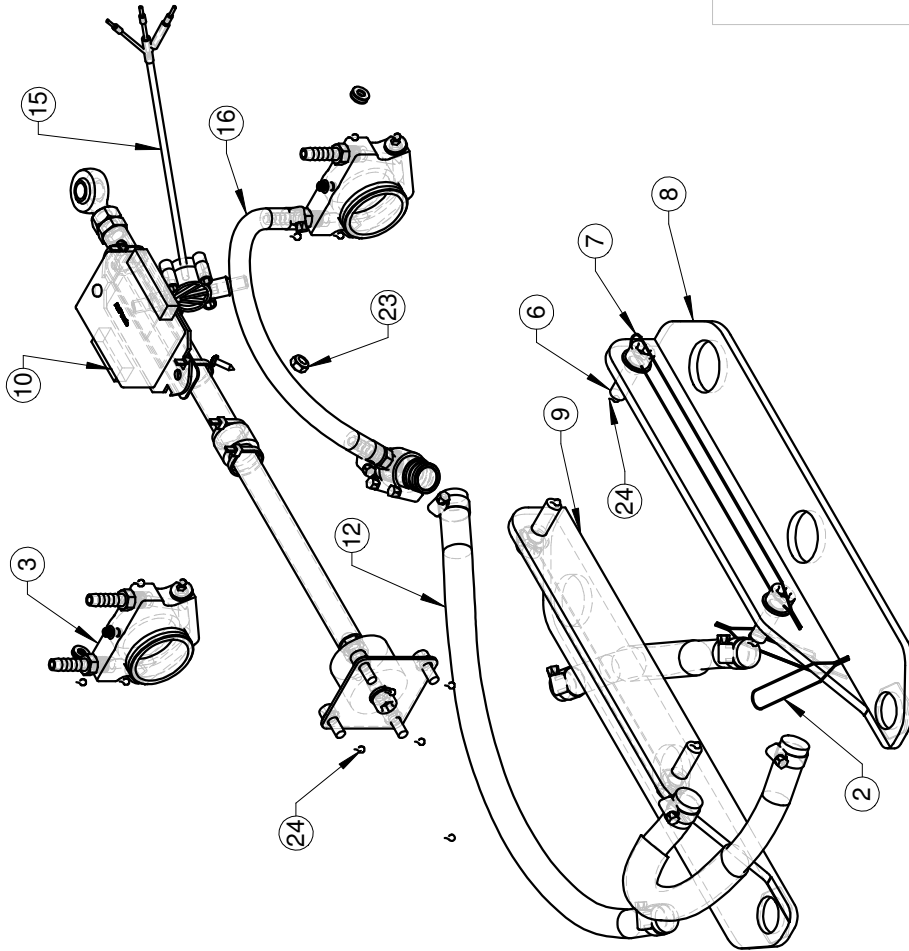
ENGINE 912XT FOR TRIKE BASE ASM

Drawn By	Scale	Date
Simon	1:3.75	17-05-06

AirBorne
AUSTRALIA

6945
SHEET 1 of 2

ITEM NO.	NAME	DWG PART NO.	QTY.
1	ENGINE 912XT ROTAX WIP	5797	107813
2	TIE WIRE - 0.8D x 200L	6372	106264
3	CARBY HEATER BLOCK ASSEMBLY	5616	105403
4	HOSE CLAMP 5/8 INCH	5887	107650
5	WASHER SS 3-8 X 3-4"	5540	100924
6	SKT CAP SCREW M 10 X 30 DRILLED	5603	105944
7	TIE WIRE - 0.8D x 500L	6372	105584
8	ENGINE MOUNT ANGLE BRKT 912 RHS	5238	104737
9	ENGINE MOUNT ANGLE BRKT 912 LHS	5238	104736
10	TOP LINK ASSEMBLY XT-912	5722	105515
11	WIRING DATA SIGNAL SUB-ASSEM XT	6285	105955
12	OIL LINES ASSEMBLY XT-912	5853	105660
13	WIRING LOOM PLUG TO ENGINE SUB-ASSEM XT	6283	105952
14	WIRING MISCELLANEOUS SUB-ASSEM XT	6284	105954
15	FUEL FLOW SENDER COMPLETE	5919	105289
16	CARBY HEAT HOSE240 EN-CH XT-912	5883	105692
17	HOSE CLAMP 6MM	5887	100099
18	CABLE TIE (SHORT) 98MM	5605	101192
19	CABLE TIE MED	5605	101193
20	CABLE TIE LONG	5605	101194
21	SCREW SELF-TAPPING 1-2x6g 304SS	5909	104188
22	CONNECTOR BOOT LACE FERREL	6275	105873
23	NUT NYLOC M 6	5604	102132
24	LOCITITE 243 Blue Med Strength	5637	103706
25	WASHER SS 3-16 X 7-16" 304 FLAT	5540	100055
26	ADAPTER CARBY HEATER 912 INCL TAILPIECE	7456	108648



NOTE:
 1. THIS SHEET HAS THE WIP ENGINE (ITEM 1.) HIDDEN TO SHOW THE ITEMS WHICH ARE ADDED MORE CLEARLY.
 2. WIRING LOOMS AND CABLE TIES HAVE BEEN HIDDEN

NOTE: THROTTLE ADJUSTMENT CARBY THROTTLE LEVER DRILLED OUT TO 7mm

ENGINE 912XT FOR TRIKE BASE ASM	
Drawn By	Simon
Scale	1:4
Date	18-05-06
Part No.	6945
SHEET 2 of 2	

Rev	AMENDMENTS	Date

PART NO. 107814

LAST ACCESSED: Monday, 9 July 2007
 ALL DIMENSIONS IN MILLIMETERS UNLESS STATED OTHERWISE

ITEM NO.	NAME	DWG	PART NO.	QTY.
1	ELBOW SOCKET 45° OIL COOLER 912	5851	105658	1
2	EXHAUST ASSEMBLY XT-912	5771	105555	1
3	CARBY HEATER BLOCK ASSEMBLY	5616	105403	1
4	ADAPTER CARBY HEATER INLINE XT-912	5794	105603	1
5	CARBY HEATER HOSE PLUG XT	5795	105604	1
6	NUT M8	5495	100094	1
7	SILICON INSTANT GASKET (SHELLEYS)	5637	105721	1
8	WATER PIPE XT-912	5865	105673	1
9	WATER PIPE BENT XT-912	5866	105674	1
10	FUEL FILTER GLASS 1-4" ASSEM	5915	101393	1
11	FUEL FLOW SENDER COMPLETE	5919	105289	1
12	RADIATOR OVER-FLOW BOTTLE CAP XT	5697	105475	1

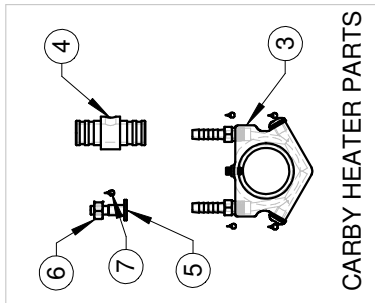
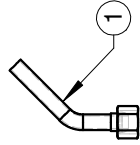
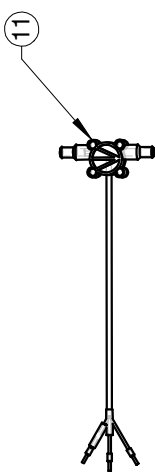
THIS ASSEMBLY HAS BEEN INCLUDED TO AID OWNERS IN IDENTIFYING PARTS WHICH SHOULD NOT BE ORDERED DIRECTLY FROM ROTAX.

NOTES:
A. THESE PARTS WILL BE INCLUDED ELSEWHERE IN THE IPC

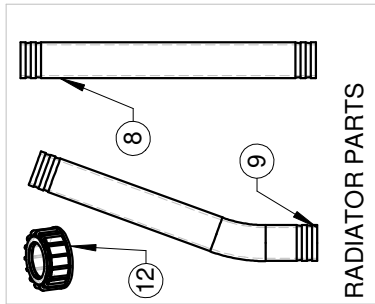
HOSES
B. ALL RADIATOR HOSES WITH THE EXCEPTION OF THE ONES FROM AND TO THE WATER PUMP ARE AIRBORNE PARTS.
C. ALL FUEL HOSES ARE AIRBORNE PARTS.
D. ALL PVC TUBES (CLEAR TUBING) ARE AIRBORNE PARTS.

EXHAUST
E. ALL EXHAUST PARTS ARE MADE BY AIRBORNE.

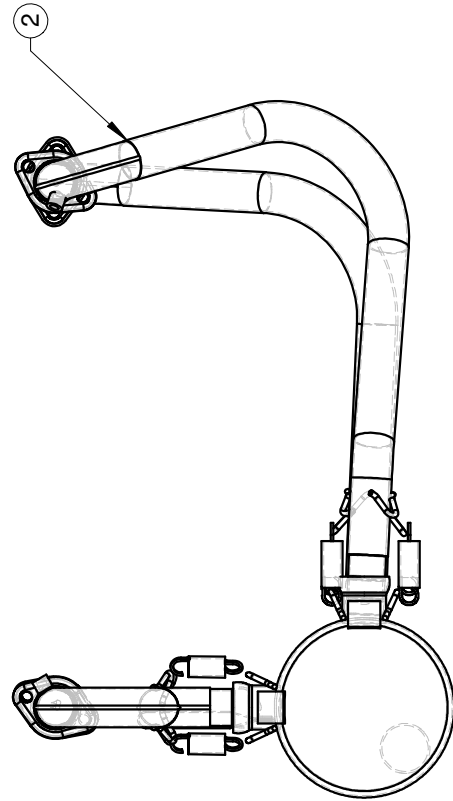
CARBURETTORS
F. CARBURETTORS ARE STANDARD BUT USE THE ALTERNATIVE CONFIGURATION AS DESCRIBED BY THE ROTAX MANUAL. THIS SERVES TO CHANGE THE SENSE OF OPERATION.



CARBY HEATER PARTS



RADIATOR PARTS



Rev AMENDMENTS

Date

PART NO. 107044

LAST ACCESSED: Monday, 9 July 2007

ALL DIMENSIONS IN MILLIMETERS UNLESS STATED OTHERWISE

XT912-B UNIQUE ENGINE PARTS

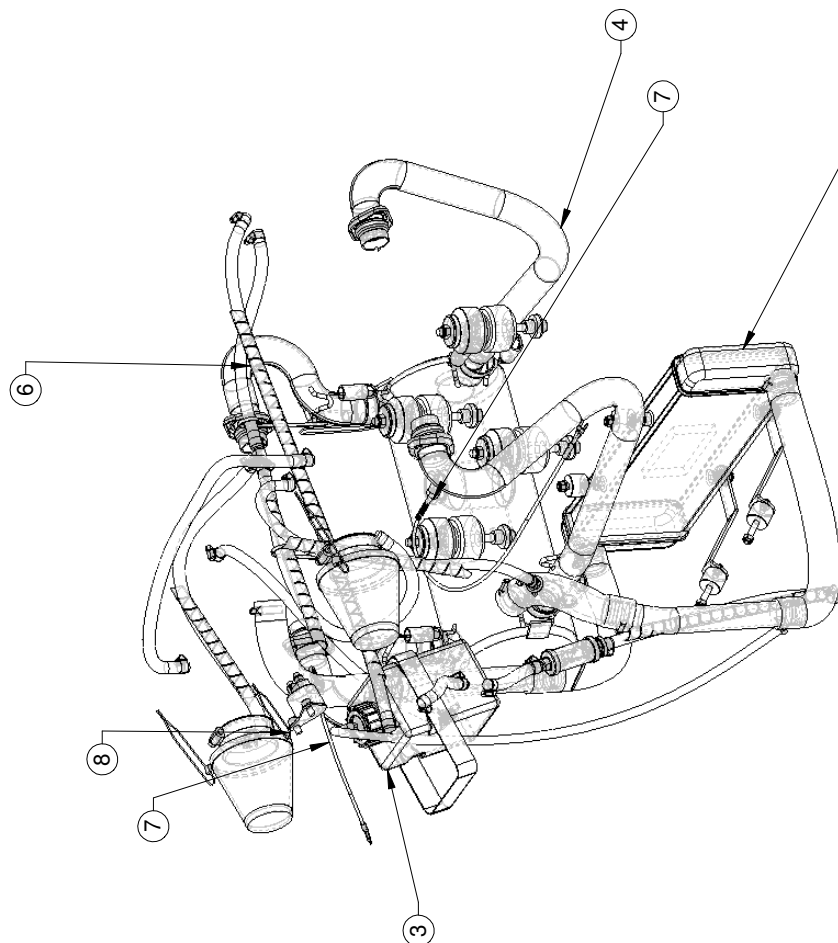
Drawn By Scale Date

Simon 1:5 02/03/05

6772
SHEET 1 of 1

8 ENGINE COMPONENTS ASSEM*8.1 Engine Mount Isolation Assem**8.2 Radiator Assem**8.3 Radiator Overflow Bottle Assem**8.4 Exhaust Assem**8.5 Water Pipes Assem**8.6 Fuel Hose Assem***- Drawing # 5791****- Drawing # 5400****- Drawing # 5685****- Drawing # 5698****- Drawing # 5771****- Drawing # 5882****- Drawing # 5897**

ITEM NO.	NAME	DWG PART NO.	QTY.
1	ENGINE MOUNT ISOLATION ASSEMBLY XT-912	5400 105135	1
2	RADIATOR ASSEMBLY XT-912	5685 105463	1
3	RADIATOR OVERFLOW BOTTLE ASSEMBLY XT-912	5698 105476	1
4	EXHAUST ASSEMBLY XT-912	5771 105555	1
5	WATER PIPES ASSEMBLY XT-912 (C-H 2)	5882 106320	1
6	FUEL HOSE ASSEMBLY XT-912	5897 105734	1
7	EGT SENDER ASSY GENERIC XT-912	6350 106220	2
8	TIE WIRE - 0.8D x 200L	6372 106264	3
9	RADIATOR COOLANT EVANS NPG+	6564 106769	1
10	OIL SHELL ADVANCE 15W-50	6598 106786	1
11	ENGINE 912 AIR FILTER	5877 105685	2
12	HOSE CLAMP 60MM AIR-FILTER ROTAX 912	5878 105686	2
13	SOLENOID STARTER XT	6288 105883	1
14	SKT CAP SCREW M 6 X 12	5603 105884	2
15	SPRING WASHER 6 mm ZINC	5679 104582	2
16	NUT NYLOC M 6	5604 102132	2
17	COVER AIR FILTER XT-912	4798 108696	2



ROTAX SERVICE BULLETIN, SB-912-043
 SEPT 04, CHANGED COOLANT SPEC TO
 EVANS NPG+ WATERLESS COOLANT.

UPDATE G-JP FORMS WITH REV CHANGE

Rev	AMENDMENTS	Date
5	DCR 2213, MOVE PARTS TO 5600, 5703	27-01-06
6	DCR 2246, ENGINE RESTRUCTURE	18-05-06
7	DCR 2294, MANUFACTURE SEQUENCE	17-05-07
8	DCR 2314 - ADD CARRY COVERS	16-07-07

PART NO. 105600 -

LAST ACCESSED: Monday, 16 July 2007

ALL DIMENSIONS IN MILLIMETERS UNLESS STATED OTHERWISE

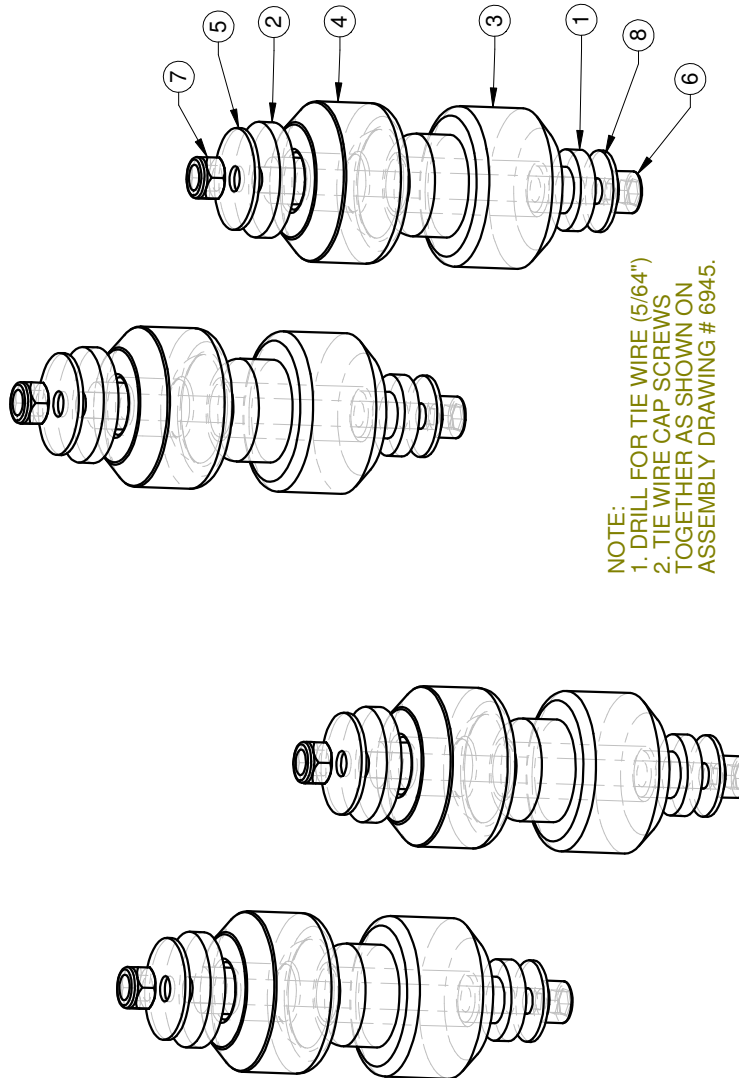
ENGINE COMPONENTS ASSEMBLY XT-912

Drawn By	Scale	Date	5791 SHEET 1 of 1
Cris	1:1	10/07/03	



ITEM NO.	NAME	DWG PART NO.	QTY.
1	ENGINE MOUNT BUSH 1 FOR RUBBERS XT	5442	105147
2	ENGINE MOUNT BUSH 2 FOR RUBBERS XT	5443	105148
3	ENGINE MOUNT RUBBER XT MALE	5736	105503
4	ENGINE MOUNT RUBBER XT FEMALE	5737	105504
5	WASHER SS 5-16 X 1.1-4" 304 FLAT	5540	100045
6	SKT CAP SCREW M 8 X 120 ZINC PLATED	5603	108176
7	NUT NYLOC M 8 FULL	5604	100915
8	WASHER SS 5-16 X 1" X 16g	5540	100714

NOTE:
 1. PART MOUNTS TO ENGINE 912UL AND REAR END ASSEMBLY SEE A4-5659
 2. THE ENGINE MOUNTS HAVE BEEN MOVED TO DRAWING # 6945 TO REFLECT ASSEMBLY SEQUENCE.



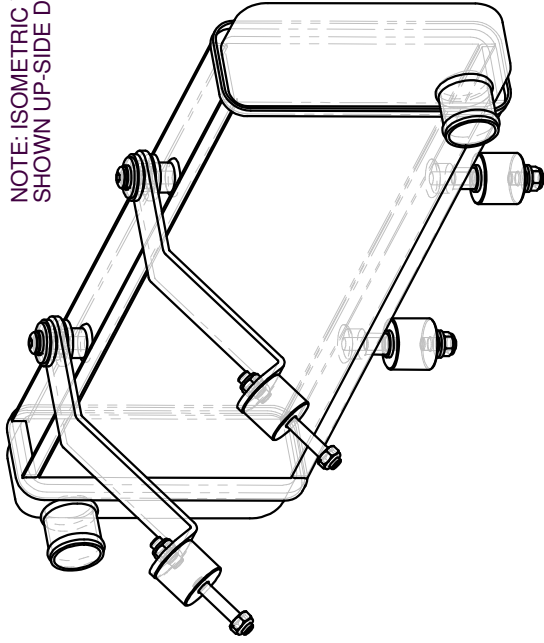
NOTE:
 1. DRILL FOR TIE WIRE (5/64")
 2. TIE WIRE CAP SCREWS TOGETHER AS SHOWN ON ASSEMBLY DRAWING # 6945.

ENGINE MOUNT ISOLATION ASSEMBLY XT-912	
Drawn By	Date
Cris	30/06/03
Scale	1:2
Part No.	5400
SHEET 1 of 1	

Rev	AMENDMENTS	Date
1	PARTS UPDATE	23/02/04
2	DCR 2246, ENGINE RETSTRUCTURE	19-05-06
3	DCR 2276, ZINC PLATE BOLT	31-10-06

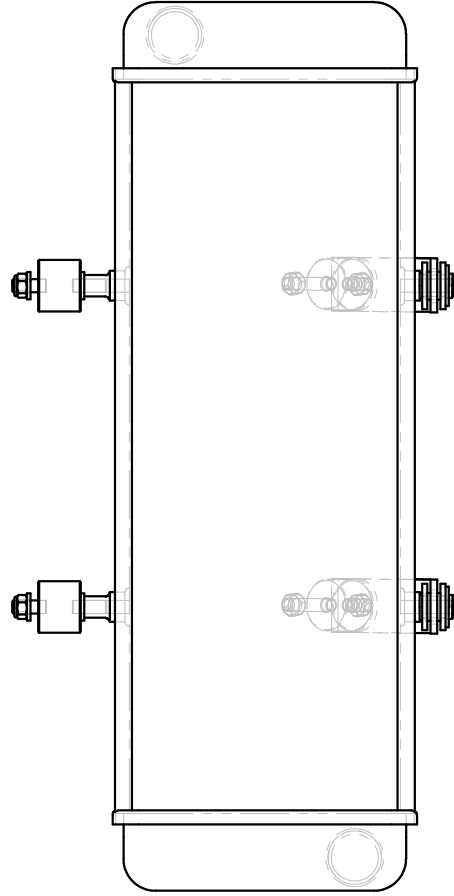
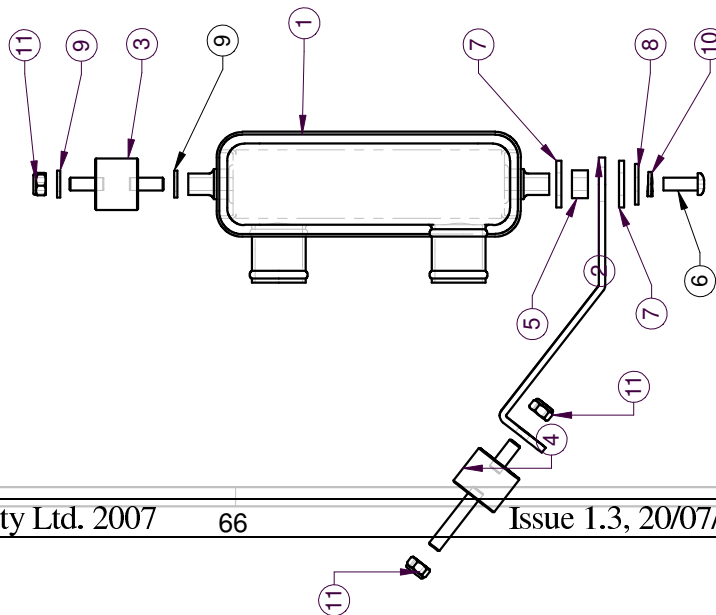
PART NO. 105135 -
 LAST ACCESSED: Monday, 9 July 2007
 ALL DIMENSIONS IN MILLIMETERS UNLESS STATED OTHERWISE

NOTE: ISOMETRIC VIEW SHOWN UP-SIDE DOWN



ITEM NO.	NAME	DWG	PART NO.	QTY.
1	RADIATOR (WATER) XT912 STD	5684	105462	1
2	RADIATOR LOWER BRACKET XT912	5682	105460	2
3	RADIATOR MOUNTING RUBBER XT SHORT-SHORT	5686	105470	2
4	RADIATOR MOUNTING RUBBER XT LONG-SHORT	5686	105471	2
5	HOSE BUSH 6ID x 7.5L	5726	105461	2
6	SKT BUTTON SCREW M6 x 16	5677	101752	2
7	WASHER NYLON M10 STD	5540	100619	4
8	WASHER SS 1-4 X 3-4"	5540	102018	2
9	WASHER AN4	5540	100042	4
10	SPRING WASHER 6 mm ZINC	5679	104582	2
11	NUT NYLOC M 6	5604	102132	6

NOTE: PART # 105462 IS A ROTAX COMPONENT.



RADIATOR ASSEMBLY XT-912

Drawn By	Scale	Date	5685 SHEET 1 of 1
Cris	1:3	26/05/03	



PART NO. 105463 -

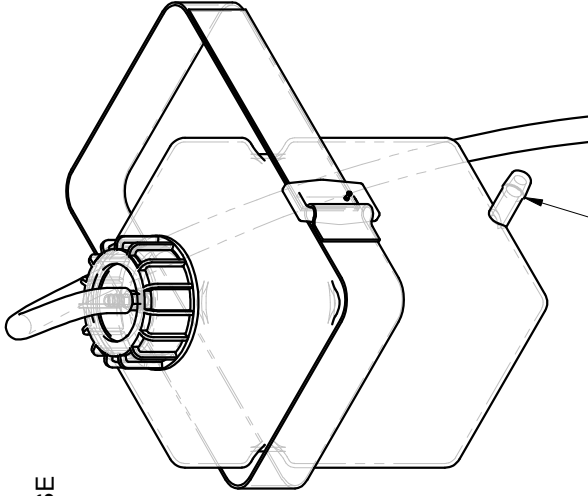
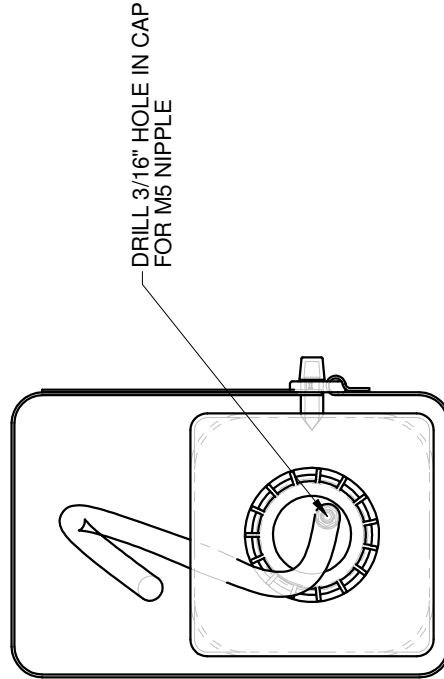
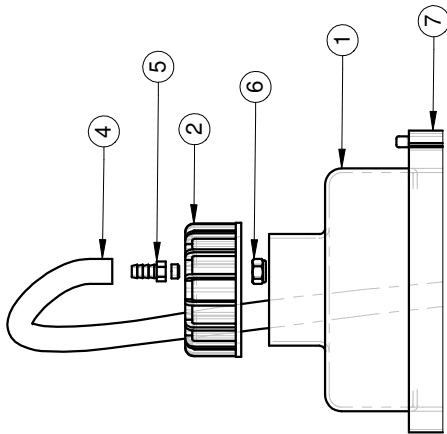
LAST ACCESSED: Monday, 9 July 2007

ALL DIMENSIONS IN MILLIMETERS UNLESS STATED OTHERWISE

Rev	AMENDMENTS	Date
1	PARTS UPDATE	24/02/04

ITEM NO.	NAME	DWG	PART NO.	QTY.
1	RADIATOR OVERFLOW BOTTLE XT-912	5696	105474	1
2	RADIATOR OVER-FLOW BOTTLE CAP XT	5697	105475	1
4	TUBE PVC CLEAR 3MM X 720L	5583	105497	1
5	NIPPLE M5 BRASS	5711	105868	1
6	NUT NYLOC M 5 FULL	5604	101365	1
7	OVERFLOW BOTTLE STRAP COMPLETE XT-582 6220	6220	106997	1

NOTE:
OVER-FLOW BOTTLE DRAIN HOSE
6mm PVC CLEAR - 720 LONG
PART MADE ON PVC TUBE
DESIGN TABLE A4-5583



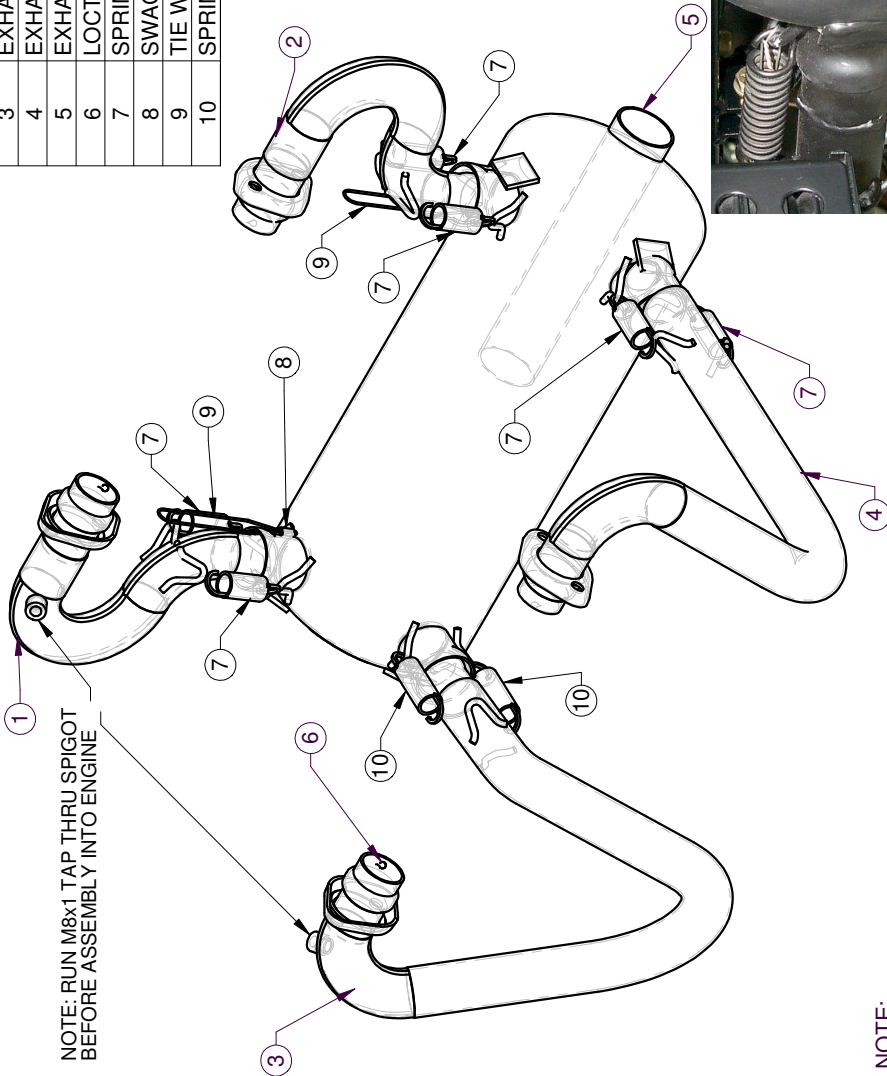
NOTE
HOSE ON 5882, RADIATOR OVERFLOW

RADIATOR OVERFLOW BOTTLE ASSEMBLY XT-912	
Drawn By	Date
Cris	30/05/03
Scale	1:2.3
Part No.	5698
SHEET 1 of 1	

Rev	AMENDMENTS	Date
1	NIPPLE CHANGED	24/03/04
2	CHANGED LENGTH OF 105497 TO 720mm. DCR 2044	26-10-04

PART NO. 105476 -
LAST ACCESSED: Monday, 9 July 2007
ALL DIMENSIONS IN MILLIMETERS UNLESS STATED OTHERWISE

ITEM NO.	NAME	DWG	PART NO.	QTY.
1	EXHAUST MANIFOLD RHS FRONT XT912	5765	105569	1
2	EXHAUST MANIFOLD RHS REAR XT912	5766	105570	1
3	EXHAUST MANIFOLD LHS FRONT XT912	5767	105571	1
4	EXHAUST MANIFOLD LHS REAR XT-912	5768	105572	1
5	EXHAUST MUFFLER XT-912 CERAMIC COAT	5772	105581	1
6	LOCTITE 767 ANTI-SEIZE	5637	105472	4
7	SPRING EXHAUST OD16X52L CERAMIC	5556	105554	6
8	SWAGE 1.2mm (3-64")	5566	101561	2
9	TIE WIRE - 200 EXHAUST XT	6372	106263	2
10	SPRING EXHAUST OD16X60L CERAMIC	5556	100263	2

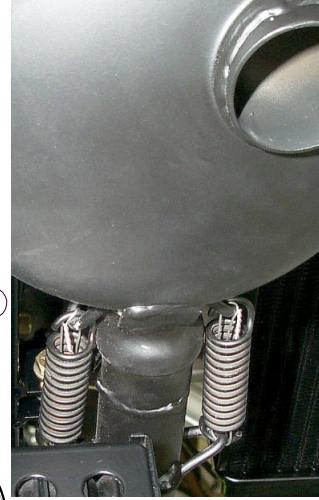


NOTE: RUN M8x1 TAP THRU SPIGOT BEFORE ASSEMBLY INTO ENGINE

NOTE:
 1. ASSEMBLE MANIFOLDS ONTO ENGINE (USE SMALL QUANTITY OF ZINC ANTI-SEIZEPASTE)
 2. ATTACH ALL EXHAUST SPRINGS
 3. TIGHTEN MANIFOLD BOLTS EVENLY TO ENSURE GOOD EXHAUST SEALING



PHOTOS OF SAFETY WIRE AND TIE WIRE IN PLACE.

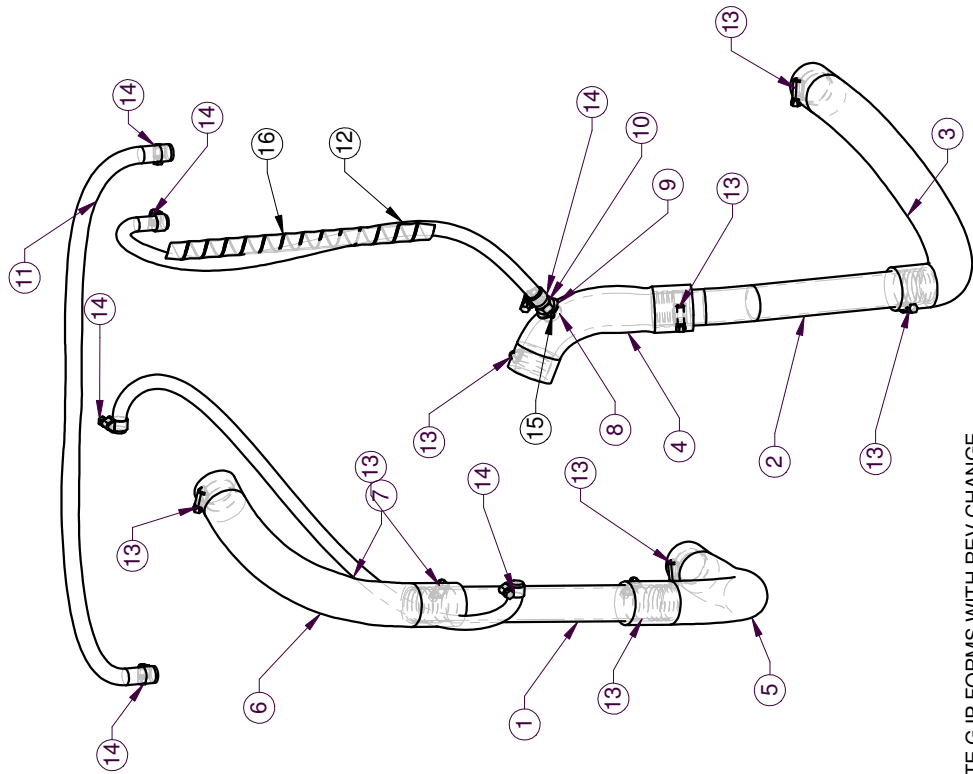


Rev	AMENDMENTS	Date	Scale	Date	Part No.	Sheet
1	EXH USAGE FIXED DCR229	21/03/06	1:4	30/06/03	5771	1 of 1

EXHAUST ASSEMBLY XT-912



ITEM NO.	NAME	DWG PART NO.	QTY.
1	WATER PIPE XT-912	5865	1
2	WATER PIPE BENT XT-912	5866	1
3	RADIATOR HOSE XT912 RAD.-PUMP LOWER	5868	1
4	HOSE RADIATOR-PUMP UPPER XT-912 w- hole	5869	1
5	RADIATOR HOSE XT912 MOTOR-RAD. LOWE	5870	1
6	RADIATOR HOSE XT912 MOTOR-RAD. UPPE	5871	1
7	RADIATOR OVERFLOW XT912	5872	1
8	CARBY HEATER HOSE PLUG XT	5795	1
9	WASHER SS 5-16 X 3-4"	5540	1
10	NUT M8	5495	1
11	CARBY HEAT HOSE570 CH-CH XT-912	5884	1
12	CARBY HEAT HOSE490 XT-912	6416	1
13	HOSE CLAMP 25MM (HS016P)	5887	8
14	HOSE CLAMP 6MM	5887	6
15	SILICON INSTANT GASKET (SHELLEYS)	5637	1
16	SPIRAL BINDING 12mm x 200mm	6524	1



#11 END GOES TO ITEM 9
ON DWG A4-5879

ENGINE WATER PIPES SUB-ASSEM (CARBY HEAT 2)
NO SHUT-OFF VALVE ON THIS ASSEMBLY MODEL

CARBY HEATER HOSE

CUT LENGTHS:

- 8. 680mm
- 11. 240 mm
- 12. 570 mm
- 13. 490 mm

WATER PIPES ASSEMBLY XT-912 (C-H 2)

Drawn By	Scale	Date	5882 SHEET 2 of 2
Cris	1:5	06/05/03	

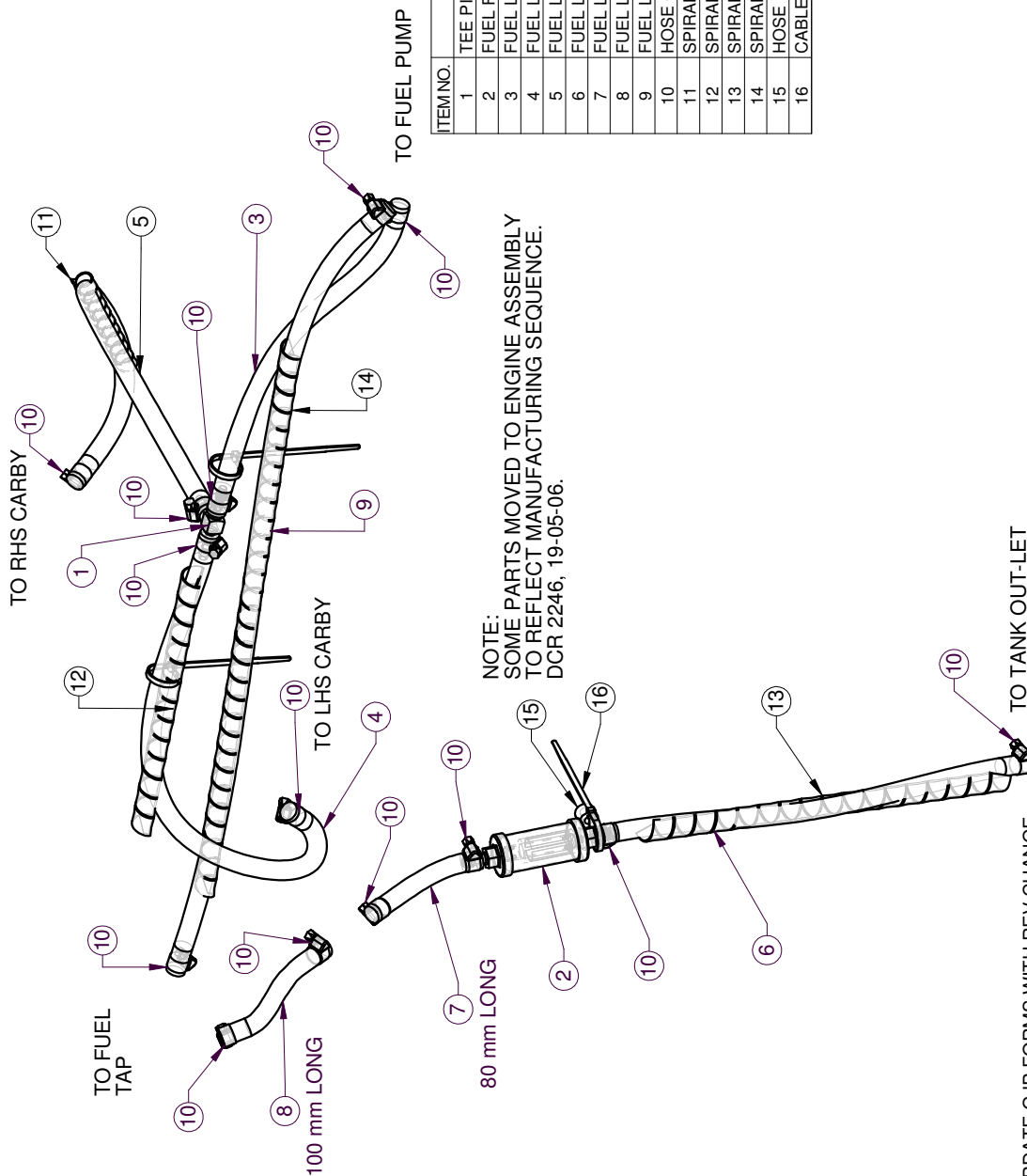


UPDATE GJP FORMS WITH REV CHANGE

PART NO. 106320 -

Rev	AMENDMENTS	Date
1	NO TAP ON THIS MODEL	25/02/04
2	DCR 2209, ADD SPIRAL, AND NOTE:	24-01-06
3	DCR 2246, ENGINE RESTRUCTURE	19-05-06

LAST ACCESSED: Monday, 9 July 2007
ALL DIMENSIONS IN MILLIMETERS UNLESS STATED OTHERWISE



NOTE:
SOME PARTS MOVED TO ENGINE ASSEMBLY
TO REFLECT MANUFACTURING SEQUENCE.
DCR 2246, 19-05-06.

ITEM NO.	NAME	DWG	PART NO.	QTY.
1	TEE PIECE 1-4 HOSE 1-4 HOSE	5888	105591	1
2	FUEL FILTER GLASS 1-4" ASSEM	5915	101393	1
3	FUEL LINE 280 PUMP-TEE XT-912	5898	106716	1
4	FUEL LINE 420 TEE-CARBY LHS XT-912	5899	106717	1
5	FUEL LINE 550 TEE-CARBY RHS XT-912	5910	106718	1
6	FUEL LINE 330 TANK-FILTER XT-912	5911	105738	1
7	FUEL LINE 80 FILTER-METER XT-912	5912	105739	1
8	FUEL LINE 100 METER-TAP XT-912	5913	105740	1
9	FUEL LINE 660 TAP-PUMP XT-912	5914	106719	1
10	HOSE CLAMP 6MM	5887	100099	14
11	SPIRAL BINDING 12mm x 150mm	6524	106721	1
12	SPIRAL BINDING 12mm x 200mm	6524	106722	1
13	SPIRAL BINDING 12mm x 250mm	6524	106723	1
14	SPIRAL BINDING 12mm x 450mm	6524	106729	1
15	HOSE BUSH 6ID x 10L	5726	106720	1
16	CABLE TIE MED	5605	101193	3

FUEL HOSE ASSEMBLY XT-912

Drawn By	Scale	Date	5897 SHEET 1 of 1
Cris	1:4	30/07/03	



PART NO. 105734 -

Rev	AMENDMENTS	Date
1	ROUTING, HOSE + LENGTH CHANGES	9/1/04
2	DCR 2246, ENGINE RESTRUCTURE	19-05-06

LAST ACCESSED: Monday, 9 July 2007
ALL DIMENSIONS IN MILLIMETERS UNLESS STATED OTHERWISE

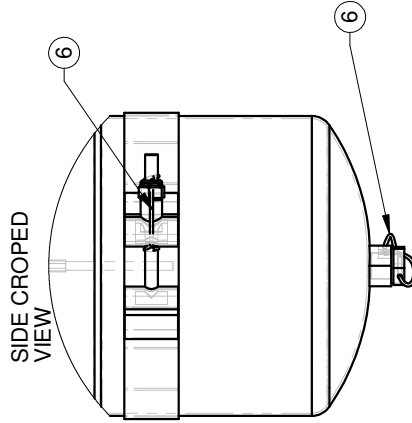
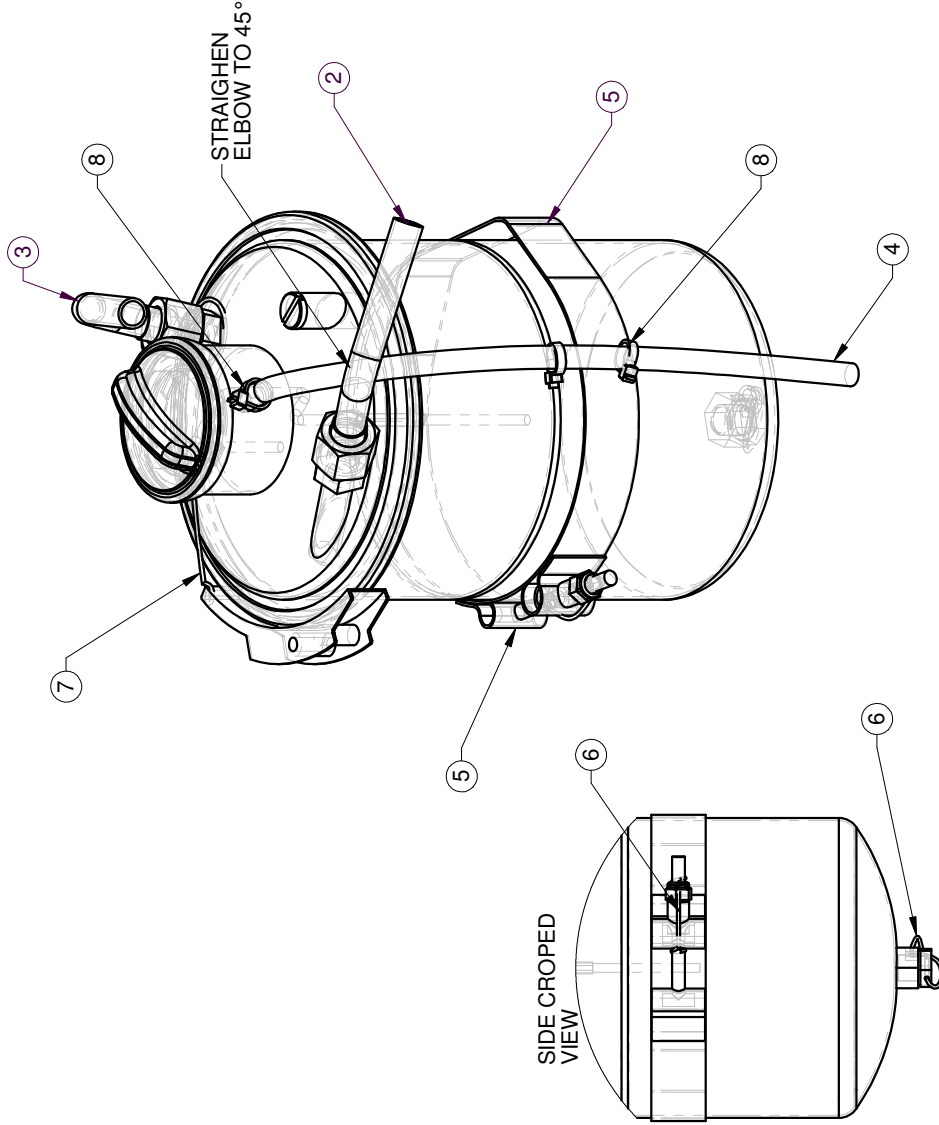
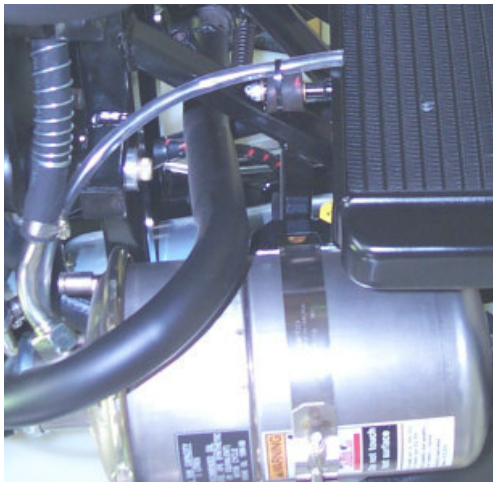
UPDATE GJP FORMS WITH REV CHANGE

9 OIL TANK ASSEM

- **Drawing # 5857**

ITEM NO.	NAME	DWG	PART NO.	QTY.
1	OIL TANK ASSY ROTAX	6946	107815	1
2	ELBOW SOCKET 45° OIL COOLER 912	5851	105658	1
3	ELBOW SOCKET 90° OIL COOLER 912	5851	105657	1
4	OIL TANK BREATHER TUBE 300L XT	5942	105766	1
5	OIL TANK CLAMP XT912	5816	105621	1
6	TIE WIRE - 120 L	6372	106265	2
7	TIE WIRE - 300 L	6372	106266	1
8	CABLE TIE (SHORT) 98MM	5605	101192	3

NOTE:
 PART #S 107815 WAS CREATED TO REFLECT
 A COPRODUCT RECEIVED WITH THE ENGINE.
 PART # 105657 IS ALSO A COPRODUCT.
 PART # 105658 IS MANUFACTURED FROM
 PART # 105657.



OIL TANK ASSEMBLY XT-912	
Drawn By	Cris
Scale	1:2.5
Date	22/07/03
5857 SHEET 1 of 1	

UPDATE G.J.P FORMS WITH REV CHANGE		
Rev	AMENDMENTS	Date
1	PHOTO ADDED	17/08/04
2	OIL BREATHER HOSE MOVED (DCR 20640)/11/04	
3	DCR 2246, ENGINE RESTRUCTURE	16-05-06

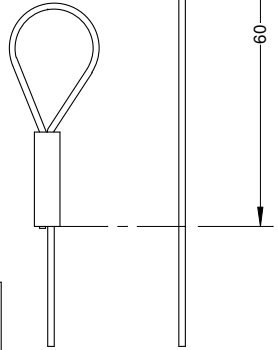
PART NO. 105664 -
 LAST ACCESSED: Monday, 9 July 2007
 ALL DIMENSIONS IN MILLIMETERS UNLESS STATED OTHERWISE

10 CHOKE CABLES

- **Drawing # 5426**

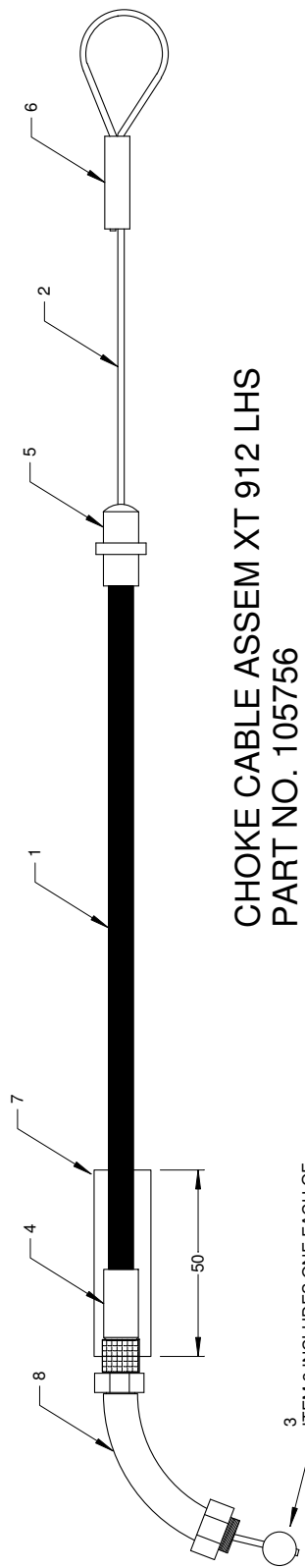
ID	DESCRIPTION	DWG	P/NO	REQD
1	T/CABLE OUTER CASING NYLON LINED		103781	SEE TABLE
2	T/CABLE INNER WIRE 1.2mm 1X19 GAL		103780	SEE TABLE
3	T/CABLE BARREL FITTING 1.2 CABLE		104570	1
4	T/CABLE OUTER END CAP		100798	1
5	T/CABLE OUTER END CAP-SHOULDER		103782	1
6	SWAGE 1.2mm (3/64")	A4-5566	101561	1
7	PVC TUBE CLEAR 6mm x 45	A4-5583	105424	REF
8	ENGINE CARBY CABLE BENT TUBE ASM	A4-6567	106685	1
9	T/CABLE FERRULE		101341	1

XT 912 CUTTING LIST	
INNER	OUTER
1325	1125
105758	105760
1425	1225
105759	105761



LOOP DETAIL

PARTS 7 & 8 SHOWN ON SW 5833/5834



CHOKER CABLE ASSEM XT 912 LHS
PART NO. 105756

CHOKER CABLE ASSEM XT 912 RHS
PART NO. 105757

Rev	AMENDMENTS	Date
1	CUT LENGTH UPDATE	27/08/02
2	PART NO. ADDED	31/07/03
3	Corrected part # for 104570 DCR 2259	08-09-06

ALL DIMENSIONS IN MILLIMETRES

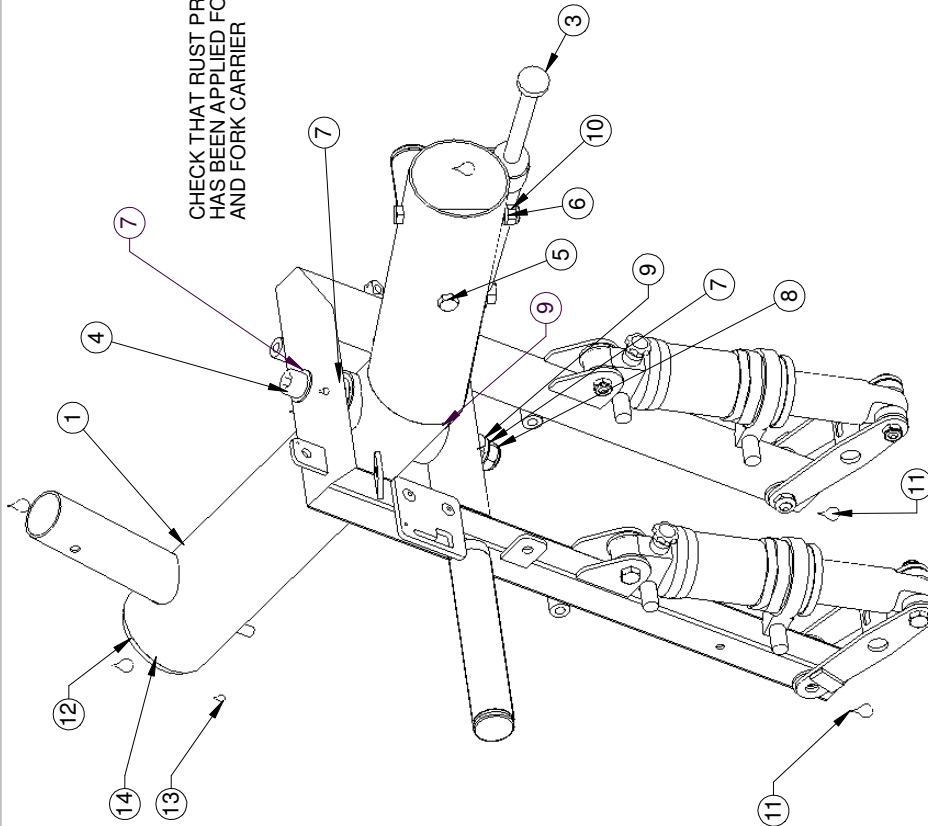
Drawn By	Scale	Date
Rick	Full Size	07/03/03

AIRBORNE WINDSPORTS PTY LTD
Choke Cable XT 912
A4-5426

- | | | |
|---|---|-----------------------|
| 11 FRONT END SUB ASM XT STD TYPE 3 | - | Drawing # 7409 |
| 11.1 Fork Carrier Incl Bearings | - | Drawing # 6436 |
| 11.2 Front Fork Sub-Asm XT-Eyebolt | - | Drawing # 6736 |
| 11.3 Steering Dampener Asm | - | Drawing # 5610 |

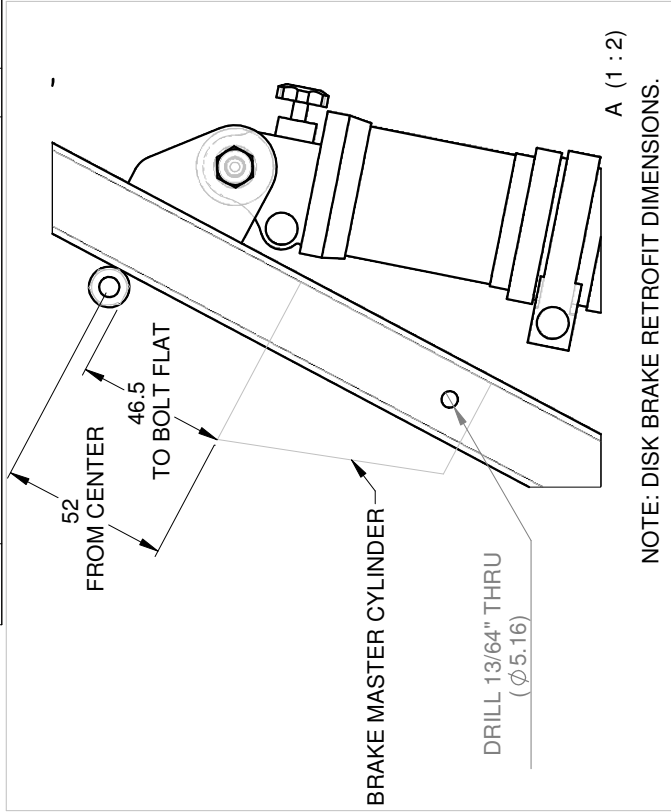
ITEM NO.	NAME	DWG PART NO.	QTY.
1	FORK CARRIER XT INCL BEARINGS GREY	6436 106916	1
2	FRONT FORK SUB-ASSEMBLY XT- EYEBOLT	6736 106989	1
3	STEERING DAMPER SUB-ASSEMBLY	5610 105388	1
4	SKT CAP SCREW M 10 X 150 ZINC PLATED	5603 108101	1
5	BOLT AN4-27 a	5450 100010	2
6	WASHER AN4	5540 100042	2
7	WASHER SS 10 X 21mm	5540 103458	3
8	NUT NYLOC M 10 FULL	5604 100802	1
9	WASHER NYLON M10 STD	5540 100619	2
10	NUT NYLOC AN4 FULL	5535 100034	2
11	RUST PROTECTANT ARP LIQUID	5637 106730	2
12	CAP ROUND TUBE CLOSURE 57MM	5633 101718	1
13	LOCTITE 406 Instant Adhesive	5637 103707	1
14	SLEEVE 60D X 10L	7216 104548	1

CHECK THAT RUST PROTECTION HAS BEEN APPLIED FOR FORK AND FORK CARRIER



UPDATE GJP FORMS WITH REV CHANGE

Rev	AMENDMENTS	Date



NOTE: DISK BRAKE RETROFIT DIMENSIONS.

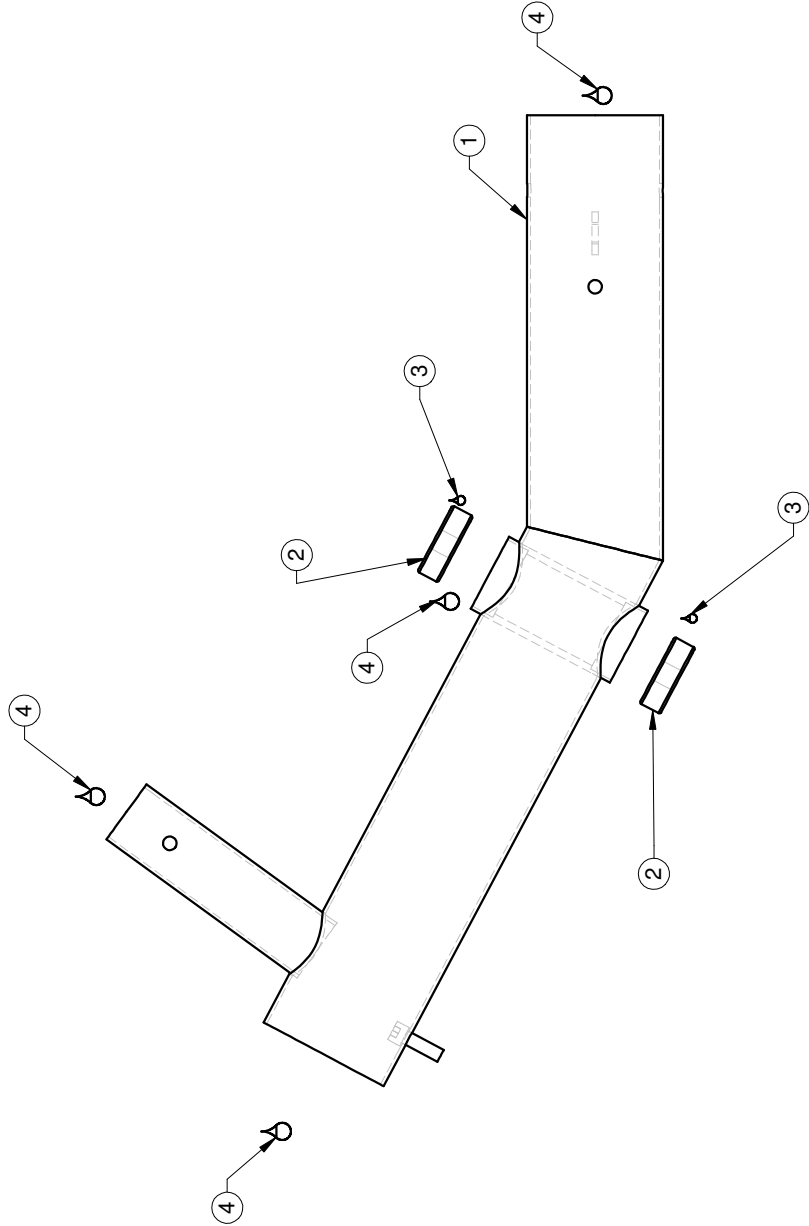
COPIED FROM A4-5571, 11-04-07

FRONT END SUBASM XT STD TYPE 3

PART NO. 108360 - 0
 LAST ACCESSED: Friday, 29 June 2007
 ALL DIMENSIONS IN MILLIMETERS UNLESS STATED OTHERWISE

Drawn By	Scale	Date	7409 SHEET 1 of 1
Simon	1:4	11-04-07	

ITEM NO.	NAME	DWG	PART NO.	QTY.
1	FORK CARRIER BEARING TYPE XT GREY	5445	105197	1
2	BEARING (STEEL NOSE CONE)	5608	102865	2
3	LOCTITE 641 Bearing Lock	5637	103708	2
4	RUST PROTECTANT ARP LIQUID	5637	106730	4



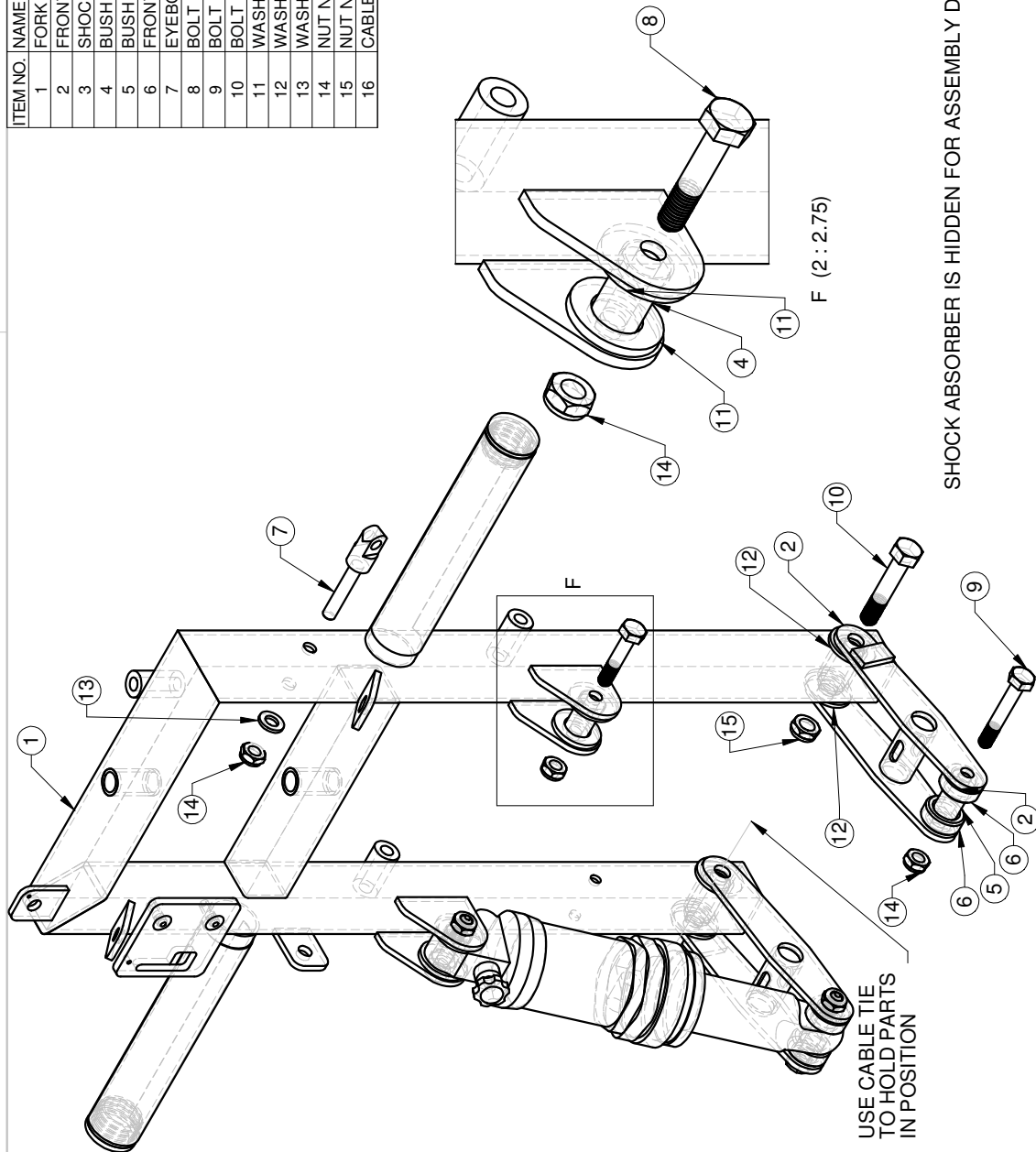
FORK CARRIER XT INCL BEARINGS GREY	
Drawn By Cris	Date 24/03/04
Scale 1:3	Part No. 6436
SHEET 1 of 1	



PART NO. 106916 - 0
 LAST ACCESSED: Monday, 9 July 2007
 ALL DIMENSIONS IN MILLIMETERS UNLESS STATED OTHERWISE

Rev	AMENDMENTS	Date
1	DCR 2186 REARRANGED ASSEMBLY	27/10/05

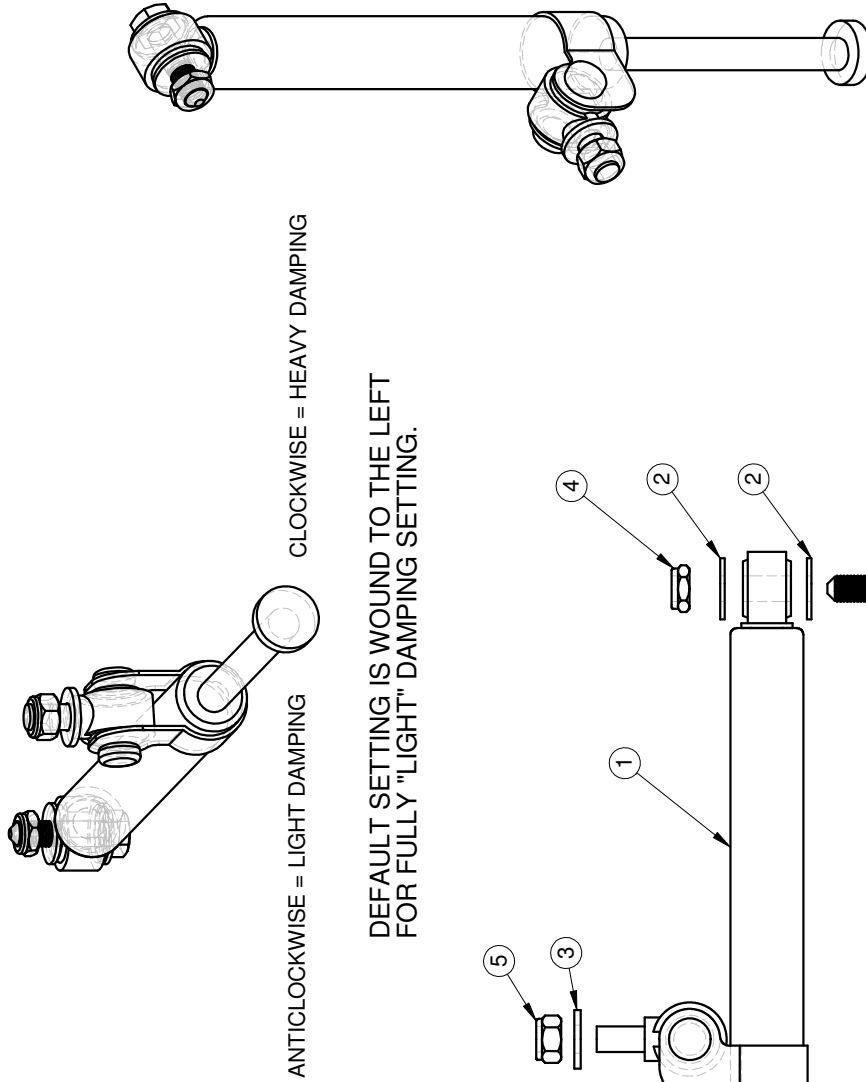
ITEM NO.	NAME	DWG PART NO.	QTY.
1	FORK FRONT TYPE 4 GREY W/BITS	6881	1
2	FRONT SUSPENSION PIVOT ARM XT GREY	5525	2
3	SHOCK ABSORBER FRONT XT (OLEO)	5602	2
4	BUSH FRONT SHOCK SHORT XT	5453	2
5	BUSH FRONT SHOCK LONG XT	5453	2
6	FRONT SHOCK ACETAL BUSH XT	5638	4
7	EYEBOLT FOOT THROTTLE XT	5230	1
8	BOLT AN4-12 a	5450	2
9	BOLT AN4-15 a	5450	2
10	BOLT AN5-15 a	5493	1
11	WASHER NYLON M12 STD	5540	4
12	WASHER NYLON M8 XOD	5540	4
13	WASHER AN4	5540	1
14	NUT NYLOC AN4 HALF	5561	5
15	NUT NYLOC AN5 HALF	5561	1
16	CABLE TIE MED	5605	1



FRONT FORK SUB-ASSEMBLY XT- EYEBOLT	
Drawn By Simon	Date 21/02/05
Scale 1:10	
6736 SHEET 1 of 1	

PART NO. 106989 -		
LAST ACCESSED: Monday, 9 July 2007		
ALL DIMENSIONS IN MILLIMETERS UNLESS STATED OTHERWISE		
Rev	AMENDMENTS	Date
2	DCR 2264, CHG NAME TO USE ON 912	21-09-06
3	DCR 2306, CHG WASHERS REFL PROD	13-06-07
4	DCR 2312, MOVE PARTS TO DRUM KIT	28-06-07

ITEM NO.	NAME	DWG	PART NO.	QTY.
1	STEERING DAMPER	5609	100628	1
2	WASHER SS 5-16 X 3-4"	5540	102332	2
3	WASHER NYLON M8 STD	5540	100595	1
4	NUT NYLOC AN5 HALF	5561	100037	1
5	NUT NYLOC M 8 FULL	5604	100915	1
6	BOLT AN5-11	5493	102743	1



ANTICLOCKWISE = LIGHT DAMPING

CLOCKWISE = HEAVY DAMPING

DEFAULT SETTING IS WOUND TO THE LEFT FOR FULLY "LIGHT" DAMPING SETTING.

Rev AMENDMENTS

Date

PART NO. 105388 -

LAST ACCESSED: Monday, 9 July 2007

ALL DIMENSIONS IN MILLIMETERS UNLESS STATED OTHERWISE

STEERING DAMPER SUB-ASSEMBLY

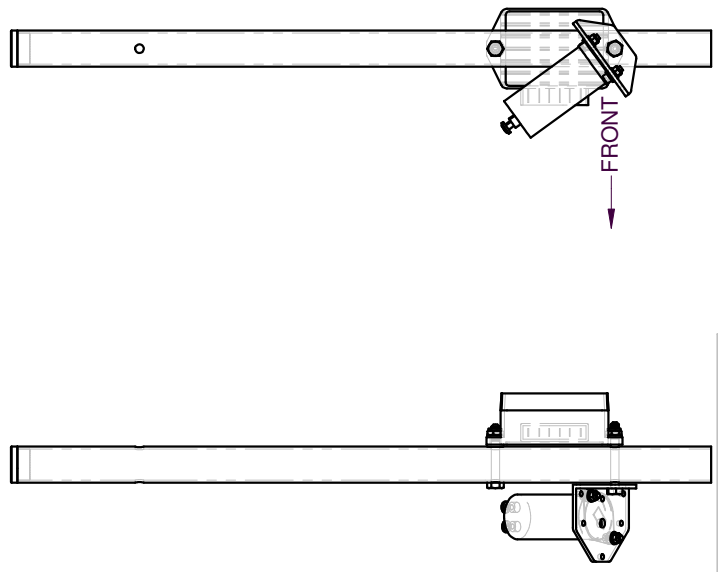
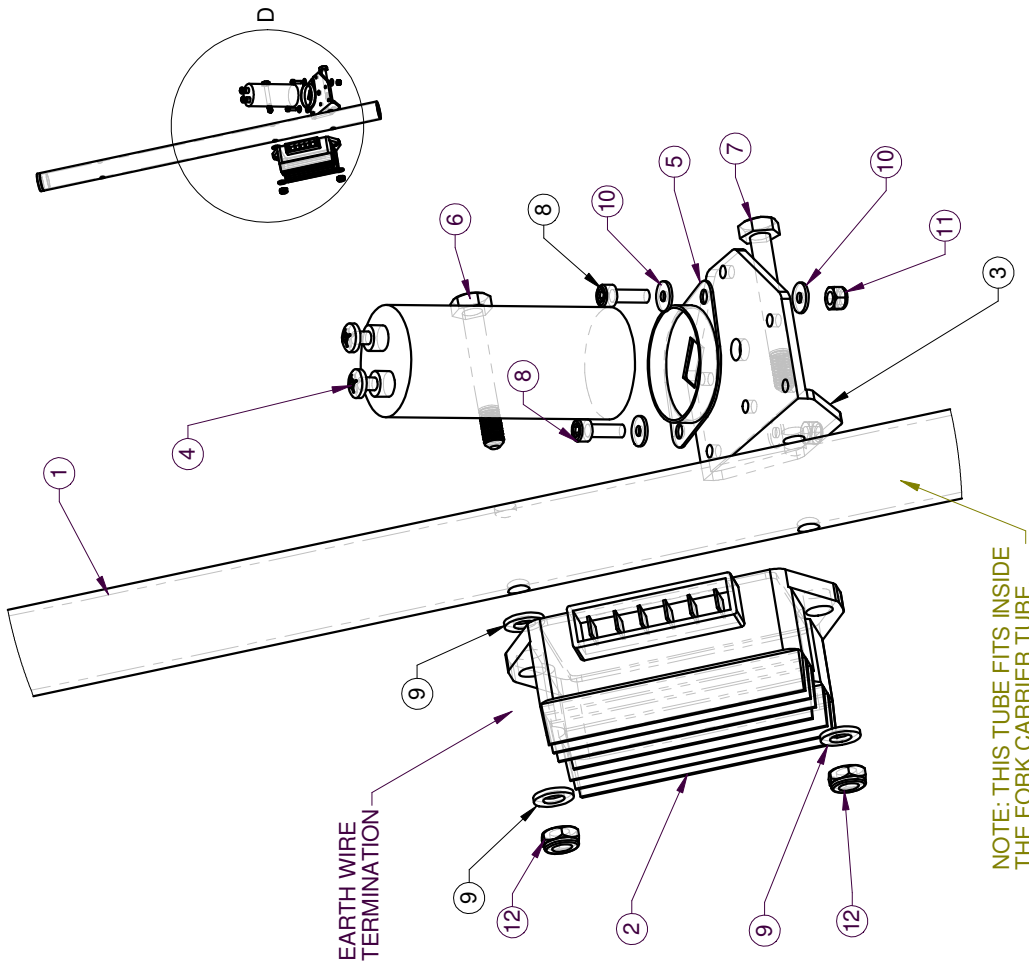
Drawn By Cris
Scale 1:2
Date 12/05/03

5610
SHEET 1 of 1

12 MAST BRACE LOWER XT-912

- **Drawing # 5713**

ITEM NO.	NAME	DWG	PART NO.	QTY.
1	MAST BRACE BOTTOM WITH BUNG XT912	5577	105308	1
2	REGULATOR XT-912 (DUCATTI)	5714	105501	1
3	CAPACITOR BRACKET XT - TYPE2	5678	106299	1
4	CAPACITOR 22000 UF 25V	5715	105290	1
5	CLAMP CAPACITOR XT-912	5716	105502	1
6	BOLT AN4-16	5450	100004	1
7	BOLT AN4-20 a	5450	100006	1
8	SKT CAP SCREW SS M 4 X 12	5603	102089	2
9	WASHER AN4	5540	100042	3
10	WASHER SS 1-8 X 3-8"	5540	101883	4
11	NUT NYLOC M 4	5604	100911	2
12	NUT NYLOC AN4 HALF	5561	100035	2



PART NO. 105500 -

LAST ACCESSED: Monday, 9 July 2007

ALL DIMENSIONS IN MILLIMETERS UNLESS STATED OTHERWISE

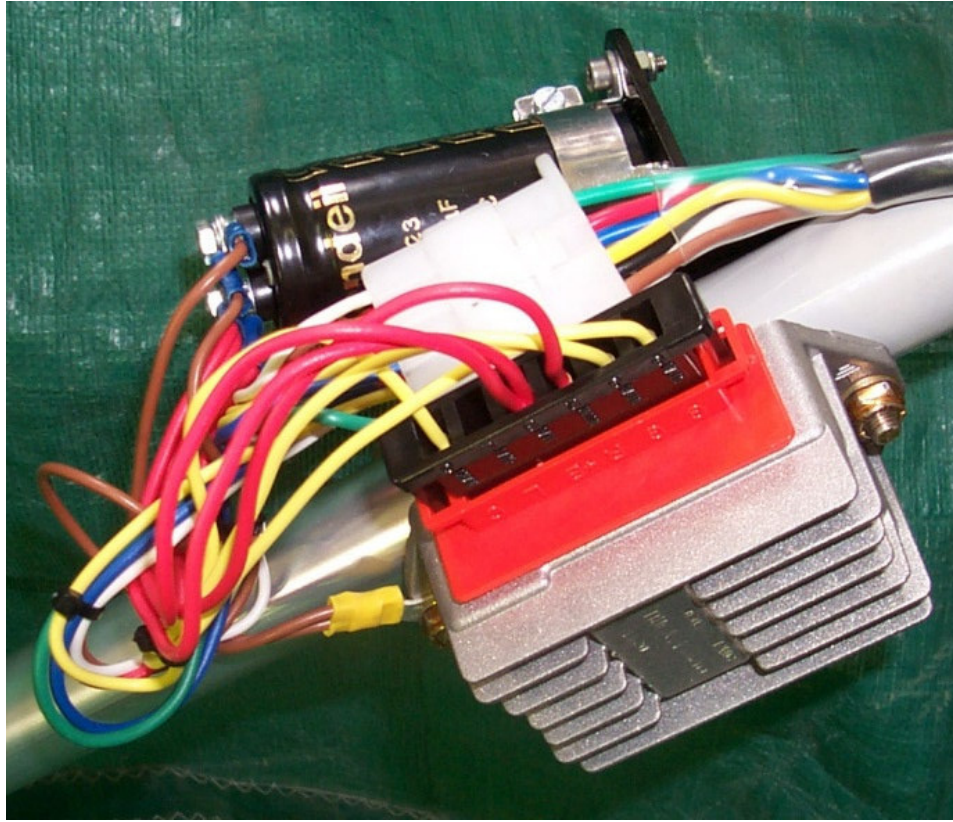
Rev	AMENDMENTS	Date
1	DCR 2202, ADD NOTES ONLY.	19-01-06
2	BRACE ASM NOW USED DCR 2239	13-04-06

MAST BRACE LOWER SUBASM XT912

Drawn By	Scale	Date
Cris	1:5	03/06/03

AirBorne AUSTRALIA

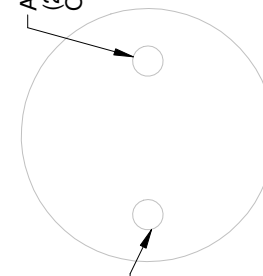
5713
SHEET 1 of 2



- NOTE:
1. DOUBLE BROWN WIRE GOES TO BOLT ON POLE AS AN EARTH.
 2. PLUG WITH LONG CLIP GOES DOWN, AS SHOWN ON PHOTO.
 3. PLUG WITH HOLE GOES UP, OTHER SIDE TO WHAT IS SHOWN ON PHOTO.



ALL RED RINGS TO +VE.
(2 DOUBLE WIRES,
ONE SINGLE WIRE.)



TWO SINGLE BROWN
RINGS GO TO THE -VE.

VIEW OF THE TOP OF CAPACITOR.

MAST BRACE MANUFACTURING PHOTO		5713	SHEET 2 of 2
Drawn By	Scale	Date	
Cris	1:1	06/05/03	
AirBorne AUSTRALIA			

Rev	AMENDMENTS	Date

LAST ACCESSED: Monday, 9 July 2007
ALL DIMENSIONS IN MILLIMETERS UNLESS STATED OTHERWISE

13 PLACARDS AND STICKERS XT-912

13.1 Placard Set Generic XT-912 -

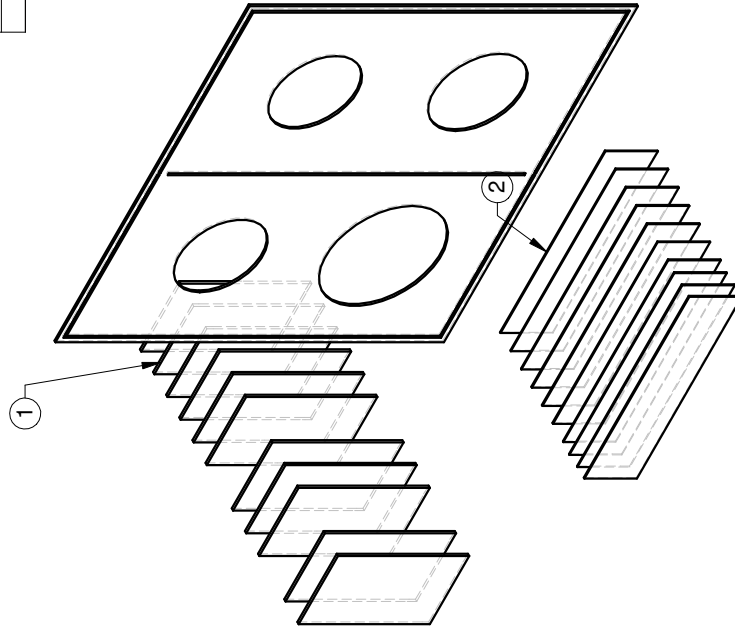
13.2 Sticker Set XT-912 Silver / Black -

- Drawing # 6590

Drawing # 6855

Drawing # 6860

ITEM NO.	NAME	DWG	PART NO.	QTY.
1	PLACARD SET GENERIC EDGE XT-912	6855	106485	1
2	STICKER SET XT-912 SILVER	6860	106778	1
3	PLACARD NO STEP XT	5900	105718	2
ITEM NO.	NAME	DWG	PART NO.	QTY.
1	PLACARD SET GENERIC EDGE XT-912	6855	106485	1
2	STICKER SET XT-912 BLACK	6860	107371	1
3	PLACARD NO STEP XT	5900	105718	2



PART NO. 106782 PLACARDS AND STICKERS XT-912 SILVER

PART NO. 107377 PLACARDS AND STICKERS XT-912 BLACK

Rev	AMENDMENTS	Date
1	DCR 2174, CHG DWG DEFINING 106485	21-09-05
2	DCR 2234, SLSA CERTIFICATION	13-04-06
3	MOVE 105718 FROM 6855	25-05-07

Drawn By Cris		Scale 1:1	Date 15/12/04	6590 SHEET 1 of 1
------------------	--	--------------	------------------	----------------------

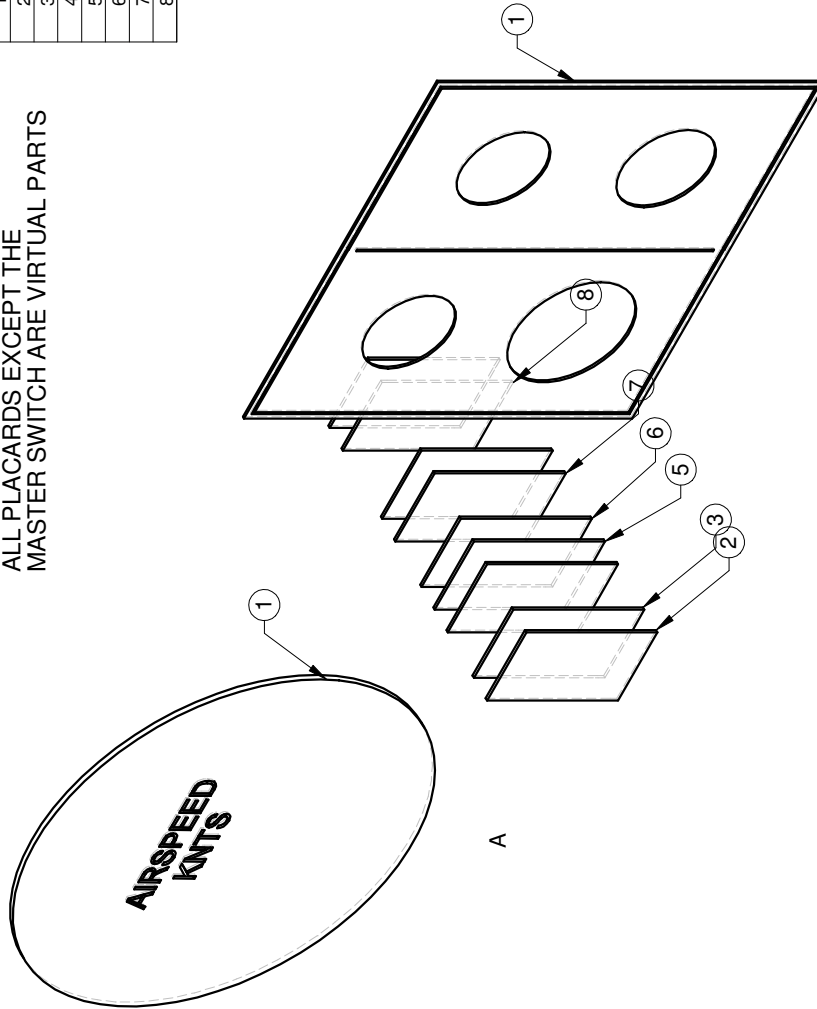
PLACARDS - GENERIC AND STICKERS XT-912



LAST ACCESSED: Monday, 9 July 2007
 ALL DIMENSIONS IN MILLIMETERS UNLESS STATED OTHERWISE

ITEM NO.	NAME	DWG	PART NO.	QTY.
1	PLACARD SET XT DASH	6868	107387	1
2	PLACARD EARTH XT	5900	105710	1
3	PLACARD HAND CHOKE XT	5900	105711	1
4	PLACARD STEP XT	5900	105712	1
5	PLACARD FUEL TAP XT	5900	105713	1
6	PLACARD HAND THROTTLE-IGN XT	5900	105714	1
7	PLACARD CLEAR PROP XT	5900	105716	2
8	PLACARD CAUTION HIGH PRESSURE SHOCK	5900	106397	2

NOTE:
ALL PLACARDS EXCEPT THE
MASTER SWITCH ARE VIRTUAL PARTS



PLACARD SET XT DASH PART NO 107387
IS REFERENCED IN FOXFRO AS IT IS INCLUDED
ON THE DASH SUB ASSEMBLY SEE A4-5969

DATA FOR PLACARDS LIVES IN 5900.CDR
ANY REV CHANGES IN THIS MASTER DOCUMENT
MUST BE INCLUDED ON THIS SHEET

PART NO FOR PLACARD SHEETS: 105717 AND 106765

- DATA PLATE EDGE XT-912-B See DWG # 6925
- PLACARD MASTER SWITCH EDGE XT BLACK Part # 105715 See DWG # 5969
- PLACARD VNE ASI EDGE CRUZE - STREAK 3 Part # 107237 See DWG # 5969
- PLACARD PLACARD NO STEP EDGEXT BLACK Part # 105718 See DWG # 6590

PART NO. 106485 - GENERIC PLACARD SET XT-912

Rev	AMENDMENTS	Date
2	DCR 2234, SLSA CERT	13-04-06
3	REMOVE STEP STICK - REFLECT MAN	30-04-07
4	MOVE 105718 TO 6590	25-05-07

PLACARD SET GENERIC EDGE XT-912	
Drawn By	Date
SIMON	21/09/05
Scale	NTS
6855 SHEET 1 of 1	

ITEM NO.	NAME	DWG	PART NO.	QTY.
1	STICKER POD LHS EDGE XT-912 SILVER	6330	105986	1
2	STICKER POD RHS EDGE XT-912 SILVER	6330	105987	1
3	STICKER SPAT LHS EDGE XT-912 SILVER	6330	106781	2
4	STICKER SPAT LHS EDGE XT TRIM SILVER	6330	105989	2
5	STICKER SPAT RHS EDGE XT TRIM SILVER	6330	105990	2
6	STICKER AIRBORNE XT SILVER	6861	105985	2

ITEM NO.	NAME	DWG	PART NO.	QTY.
1	STICKER POD LHS EDGE XT-912 BLACK	6330	107369	1
2	STICKER POD RHS EDGE XT-912 BLACK	6330	107370	1
3	STICKER SPAT EDGE XT-912 BLACK	6330	107375	2
4	STICKER SPAT LHS EDGE XT-912 BLACK	6330	107372	2
5	STICKER SPAT RHS EDGE XT-912 BLACK	6330	107373	2
6	STICKER AIRBORNE XT SILVER	6861	105985	2

1
2
3
4
5
6

STICKER SET XT-912 SILVER
PART NO. 106778
USED ON 5703

PART NO. 106778 XT-912 STICKER SET SILVER
PART NO. 107371 XT-912 STICKER SET BLACK

ITEM NO.	NAME	DWG	PART NO.	QTY.
1	STICKER SPAT EDGE XT-912 SILVER	6330	106781	1
2	STICKER SPAT LHS EDGE XT TRIM SILVER	6330	105989	1
3	STICKER SPAT RHS EDGE XT TRIM SILVER	6330	105990	1

ITEM NO.	NAME	DWG	PART NO.	QTY.
1	STICKER SPAT EDGE XT-912 BLACK	6330	107375	1
2	STICKER SPAT LHS EDGE XT-912 BLACK	6330	107372	1
3	STICKER SPAT RHS EDGE XT-912 BLACK	6330	107373	1

1
2
3

PART NO. 105988 STICKER SPAT SET EDGE XT-912 SILVER
PART NO. 107374 STICKER SPAT SET EDGE XT-912 BLACK

Rev		AMENDMENTS		Date	STICKER SETS XT-912	
1	DCR 2176, REMOVED FROM 6330.	27-09-05	LAST ACCESSED: Monday, 9 July 2007		Scale	6860
				1:1	14/12/04	SHEET 1 of 1
				Crts	AirBorne AUSTRALIA	

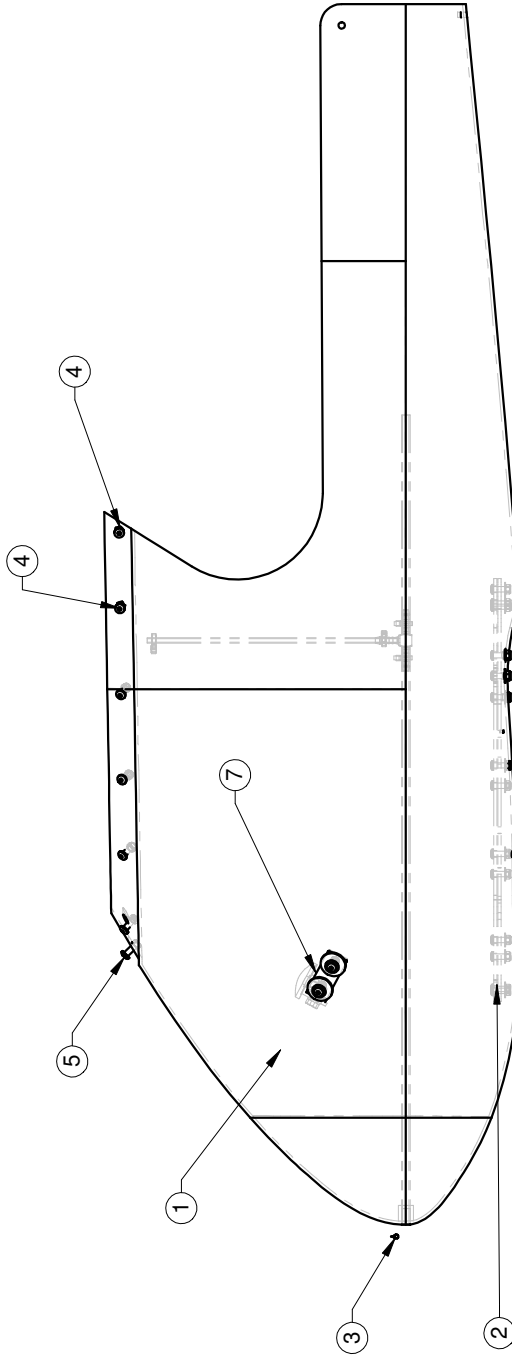
14 POD ASSEMBLY XT912 - Drawing # 5965

14.1 Bracket Sub Assem

- *Drawing # 5755*

ITEM NO.	NAME	DWG	PART NO.	QTY.
1	COCKPIT F/GLASS ONLY XT PAINTED	5963	106506	1
2	POD DRAFT STOP SUB-ASSEM XT	5967	105794	1
3	PITOT TUBE ASSEMBLY XT	6449	106497	1
4	SKT BUTTON SCREW M5 x 10	5677	106172	4
5	SKT BUTTON SCREW M5 x 16	5677	103182	10
6	NUT NYLOC M 5 FULL	5604	101365	14
7	COCKPIT FRONT BRACKET SUB-ASSEMBLY	5755	105553	1

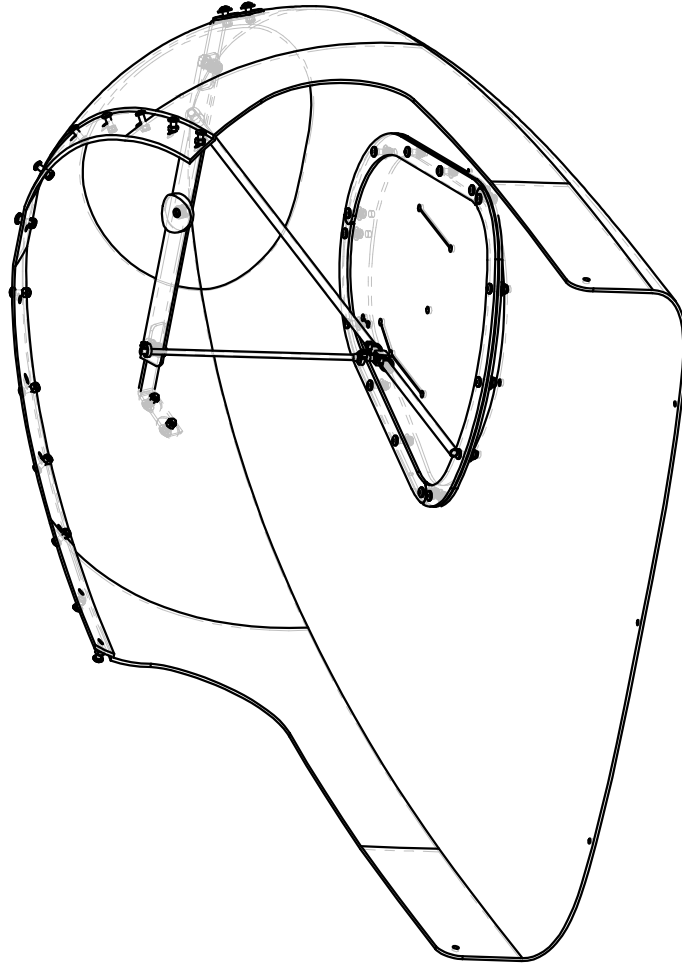
POD COLOURS:
 - BLUE
 - RED
 - YELLOW
 - BLACK
 - WHITE
 - MK2 BLUE



PART NO. 105790 -		POD ASSEMBLY XT-912 - COLOUR	
Rev	AMENDMENTS	Scale	Date
1	DCR 2203, MOVED PARTS TO & FROM	1:6	19/08/03
LAST ACCESSED: Monday, 9 July 2007		5965	
ALL DIMENSIONS IN MILLIMETERS UNLESS STATED OTHERWISE		SHEET 1 of 2	



POD ASSEMBLY XT - P/N 105790 - BLUE
 - RED
 - YELLOW
 - BLACK
 POD ASSEMBLY XT - P/N
 POD ASSEMBLY XT - P/N
 POD ASSEMBLY XT - P/N
 POD ASSEMBLY XT - P/N



Rev		AMENDMENTS	Date

PART NO. 105790 -
 LAST ACCESSED: Monday, 9 July 2007
 ALL DIMENSIONS IN MILLIMETERS UNLESS STATED OTHERWISE

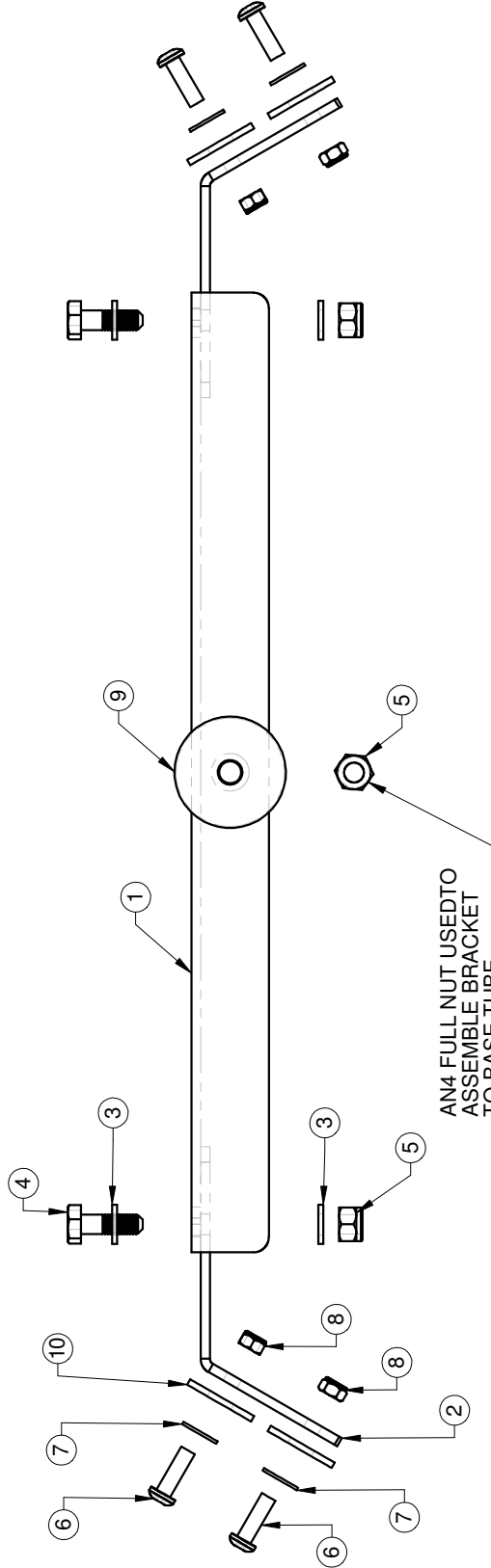
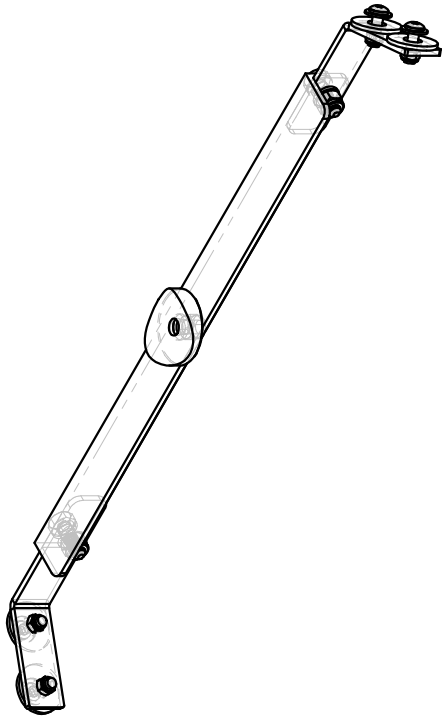
Drawn By		Scale	Date
Cris		1:6	11/11/03

POD ASSEMBLY XT-912 - COLOUR



5965
SHEET 2 of 2

ITEM NO.	NAME	DWG	PART NO.	QTY.
1	COCKPIT ANGLE BKT STRGHT	2066	100389	1
2	COCKPIT BENT FRONT BRACKET (REF TC A4-2067)	2067	100390	2
3	WASHER AN4	5540	100042	4
4	BOLT AN4-6	5450	100002	2
5	NUT NYLOC AN4 FULL	5535	100034	3
6	SKT BUTTON SCREW M5 x 16	5677	103182	4
7	WASHER SS 3-16 X 1-2"	5540	100569	4
8	NUT NYLOC M 5 FULL	5604	101365	4
9	SADDLE 60MM TUBE	7166	100080	1
10	WASHER NYLON M8 XOD	5540	100820	4



AN4 FULL NUT USED TO ASSEMBLE BRACKET TO BASE TUBE.

COCKPIT FRONT BRACKET SUB-ASSEMBLY

Drawn By	Scale	Date	5755 SHEET 1 of 1
Cris	1:2	25/06/03	

PART NO. 105553 -

LAST ACCESSED: Monday, 9 July 2007

ALL DIMENSIONS IN MILLIMETERS UNLESS STATED OTHERWISE

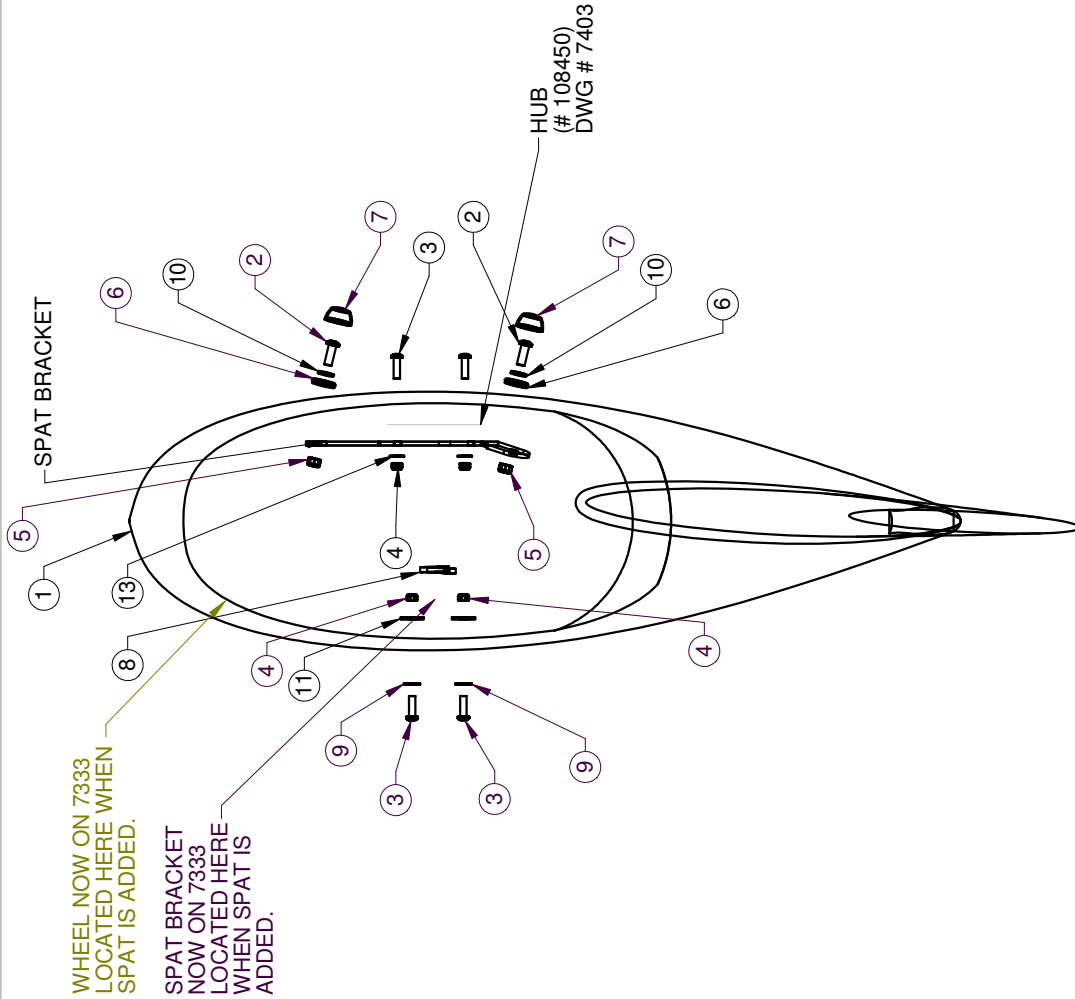
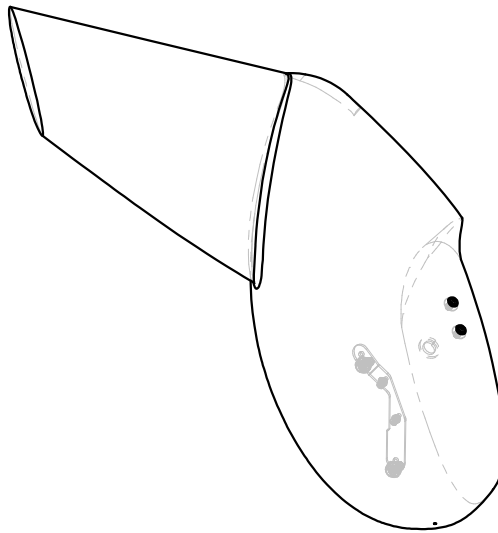
Rev	AMENDMENTS	Date
1	WASHERS REMOVED, FOAM BUFFER ADDED (DCR 2066)	11/11/04
1	DCR 2066 REVERSED, BACK TO ORIGINAL DESIGN	23-01-06

- 15 WHEEL SPAT SUB ASSEM LHS MK2** - **Drawing # 7403**
- 15.1 WHEEL SPAT SUB ASSEM LHS MK1* - *Drawing # 5789*

NOTE:

OWNERS OF TRIKE SERIAL NUMBERS 1 THRU 179 MANUFACTURED PRIOR TO MAY 2007 SHOULD REFER TO THE SUPPLEMENT DWG # 5789 "WHEEL SPAT SUB ASSEM LHS MK1" INSTEAD OF DRAWING # 7403 – "WHEEL SPAT SUB ASSEM LHS MK2".

ITEM NO.	NAME	DWG	PART NO.	QTY.
1	WHEEL SPAT (LHS) EDGE XT MK2 TBA	5680	108383	1
2	SKT BUTTON SCREW M6 x 16	5677	101752	2
3	SKT BUTTON SCREW M5 x 16	5677	103182	4
4	NUT NYLOC M 5 FULL	5604	101365	4
5	NUT NYLOC M 6	5604	102132	2
6	CAP WASHER BASE CLIP M8	5667	100604	2
7	CAP WASHER COVER BLK M8	5666	100603	2
8	SPRING WASHER 5-8"	5679	100600	1
9	WASHER SS 3-16 X 1-2"	5540	100569	2
10	WASHER AN4	5540	100042	2
11	WASHER NYLON M6 XOD	5540	101055	2
12	SPAT MOUNT BRACKET XT MK2 FIN LHS	7352	108440	1
13	WASHER SS 3-16 X 7-16" 304 FLAT	5540	100055	2



COPIED FROM A4-5789 - 10-04-07

PART NO. 108438 - 0

LAST ACCESSED: Wednesday, 4 July 2007

ALL DIMENSIONS IN MILLIMETERS UNLESS STATED OTHERWISE

Rev	AMENDMENTS	Date

WHEEL SPAT SUBASM LHS XT MK2

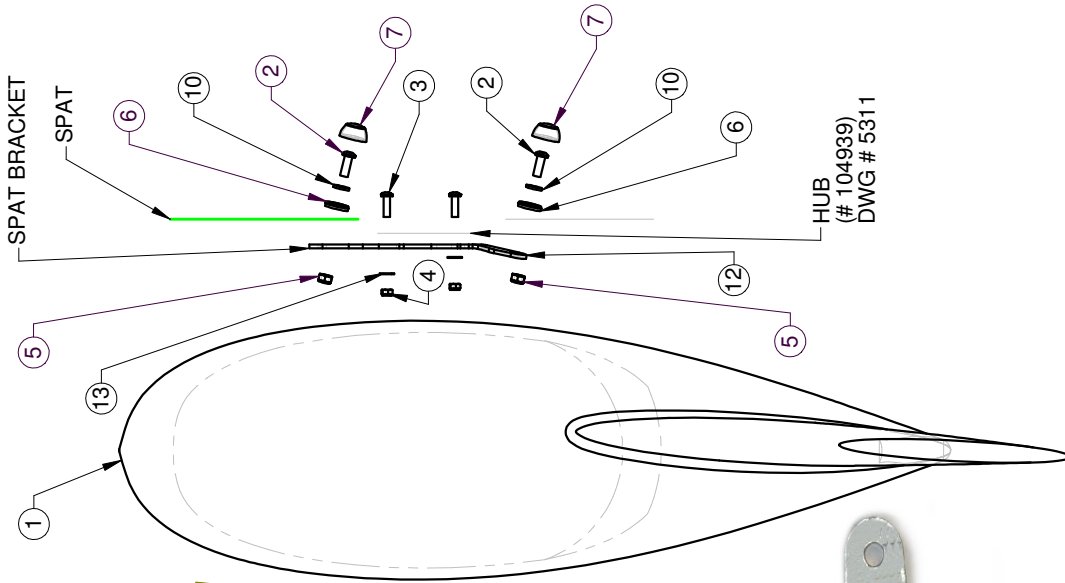
Drawn By	Scale	Date	7403 SHEET 1 of 1
Simon	1:5	10-04-07	



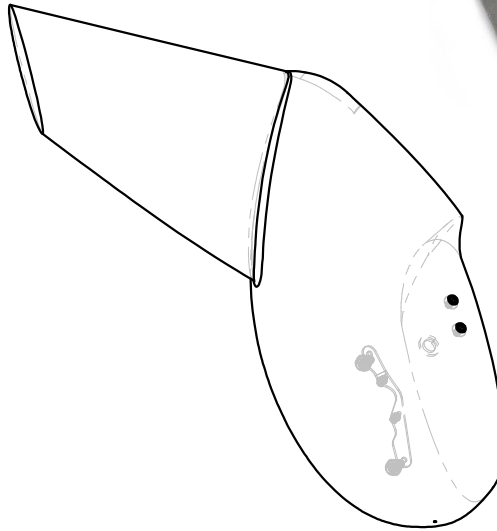
ITEM NO.	NAME	DWG	PART NO.	QTY.
1	WHEEL SPAT (LHS) EDGE XT TBA	5680	106504	1
2	SKT BUTTON SCREW M6 x 16	5677	101752	2
3	SKT BUTTON SCREW M5 x 16	5677	103182	4
4	NUT NYLOC M 5 FULL	5604	101365	4
5	NUT NYLOC M 6	5604	102132	2
6	CAP WASHER BASE CLIP M8	5667	100604	2
7	CAP WASHER COVER BLK M8	5666	100603	2
8	SPRING WASHER 5-8"	5679	100600	1
9	WASHER SS 3-16 X 1-2"	5540	100569	2
10	WASHER AN4	5540	100042	2
11	WASHER NYLON M6 XOD	5540	101055	2
12	SPAT MOUNT BRACKET XT FIN LHS	5354	105256	1
13	WASHER SS 3-16 X 7-16" 304 FLAT	5540	100055	2

WHEEL NOW ON 7333 LOCATED HERE WHEN SPAT IS ADDED.

SPAT BRACKET NOW ON 7333 LOCATED HERE WHEN SPAT IS ADDED.



HUB (# 104939)
DWG # 5311



NOTE:
LHS SPAT BRACKET PART # 105256

Rev	AMENDMENTS	Date
1	PARTS UPDATE	32/02/04
2	ADDED WASHERS, DCR 2046	26/10/04
3	DCR 2206, MOVE PARTS FROM 5311.	23-01-06
4	DCR 2283, ASM RESTRICTION	06-12-06

PART NO. 105598 -

LAST ACCESSED: Monday, 9 July 2007

ALL DIMENSIONS IN MILLIMETERS UNLESS STATED OTHERWISE

WHEEL SPAT SUB-ASSEMBLY LHS XT

Drawn By	Scale	Date
Cris	1:5	10/07/03

AirBorne AUSTRALIA

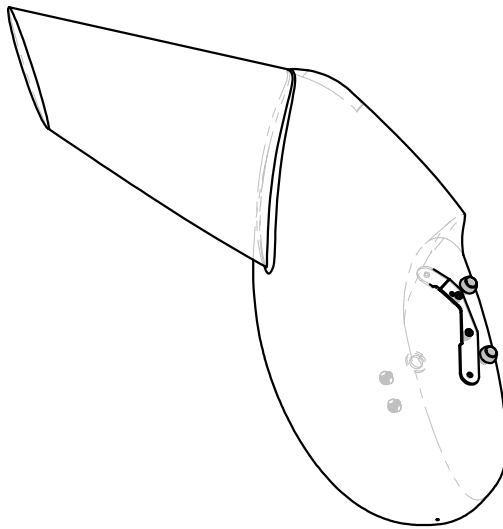
5789
SHEET 1 of 1

- 16 WHEEL SPAT SUB ASSEM RHS MK2** - **Drawing # 7405**
16.1 WHEEL SPAT SUB ASSEM RHS MK1 - *Drawing # 5790*

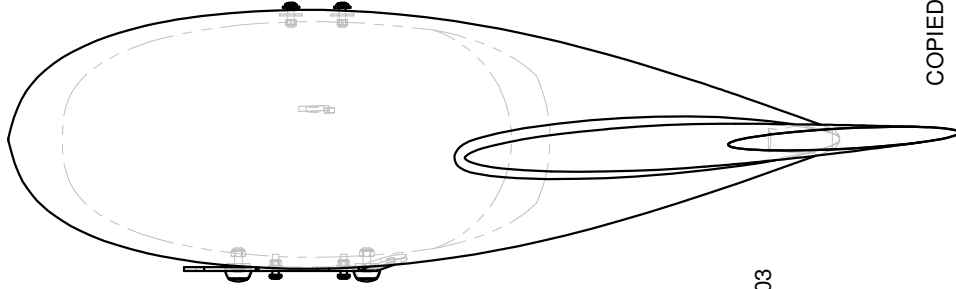
NOTE:

OWNERS OF TRIKE SERIAL NUMBERS 1 THRU 179 MANUFACTURED PRIOR TO MAY 2007 SHOULD REFER TO THE SUPPLEMENT DWG # 5790 “WHEEL SPAT SUB ASSEM RHS MK1” INSTEAD OF DRAWING # 7405 – “WHEEL SPAT SUB ASSEM RHS MK2”.

ITEM NO.	NAME	DWG	PART NO.	QTY.
1	WHEEL SPAT (RHS) EDGE XT MK2 TBA	5681	108392	1
2	SKT BUTTON SCREW M6 x 16	5677	101752	2
3	SKT BUTTON SCREW M5 x 16	5677	103182	4
4	NUT NYLOC M 5 FULL	5604	101365	4
5	NUT NYLOC M 6	5604	102132	2
6	CAP WASHER BASE CLIP M8	5667	100604	2
7	CAP WASHER COVER BLK M8	5666	100603	2
8	SPRING WASHER 5-8"	5679	100600	1
9	WASHER SS 3-16 X 1-2"	5540	100569	2
10	WASHER AN4	5540	100042	2
11	WASHER NYLON M6 XOD	5540	101055	2
12	SPAT MOUNT BRACKET XT MK2 FIN RHS	7352	108441	1
13	WASHER SS 3-16 X 7-16" 304 FLAT	5540	100055	2



NOTE:
FOR ASSEMBLY SEQUENCE REFER TO DWG # 7403



COPIED FROM 5790 11-04-07

WHEEL SPAT SUBASM RHS XT MK2

Drawn By	Scale	Date	7405 SHEET 1 of 1
Simon	1:5	11-04-07	

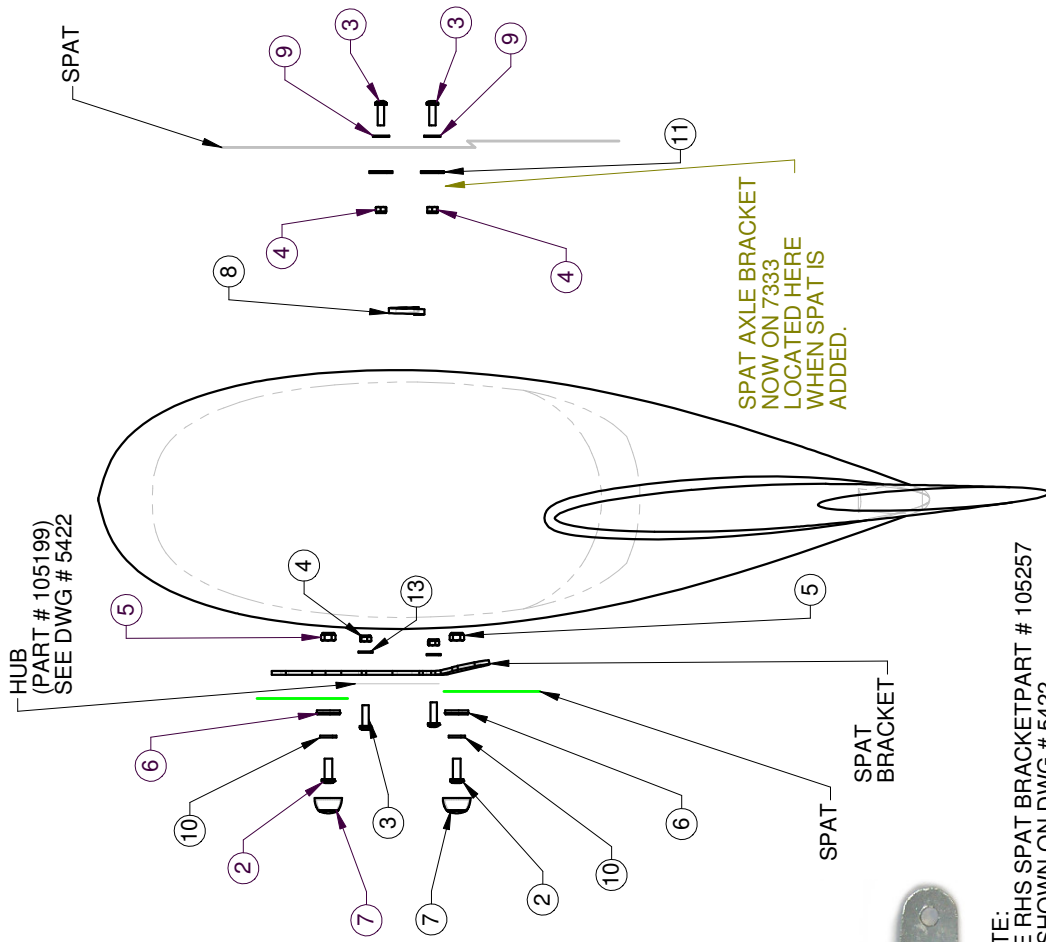


PART NO. 108439 - 0

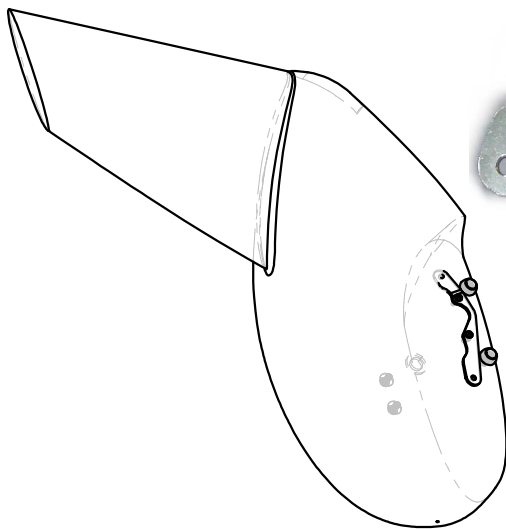
LAST ACCESSED: Monday, 9 July 2007
ALL DIMENSIONS IN MILLIMETERS UNLESS STATED OTHERWISE

Rev	AMENDMENTS	Date

ITEM NO.	NAME	DWG	PART NO.	QTY.
1	WHEEL SPAT (RHS) EDGE XT TBA	5681	106505	1
2	SKT BUTTON SCREW M6 x 16	5677	101752	2
3	SKT BUTTON SCREW M5 x 16	5677	103182	4
4	NUT NYLOC M 5 FULL	5604	101365	4
5	NUT NYLOC M 6	5604	102132	2
6	CAP WASHER BASE CLIP M8	5667	100604	2
7	CAP WASHER COVER BLK M8	5666	100603	2
8	SPRING WASHER 5-8"	5679	100600	1
9	WASHER SS 3-16 X 1-2"	5540	100569	2
10	WASHER AN4	5540	100042	2
11	WASHER NYLON M6 XOD	5540	101055	2
12	SPAT MOUNT BRACKET XT FIN RHS	5354	105257	1
13	WASHER SS 3-16 X 7-16" 304 FLAT	5540	100055	2



SPAT AXLE BRACKET
NOW ON 7333
LOCATED HERE
WHEN SPAT IS
ADDED.



NOTE:
THE RHS SPAT BRACKETPART # 105257
IS SHOWN ON DWG # 5422.

PART NO. 105599 -

LAST ACCESSED: Monday, 9 July 2007

ALL DIMENSIONS IN MILLIMETERS UNLESS STATED OTHERWISE

Rev	AMENDMENTS	Date
1	PARTS UPDATE	23/02/04
2	ADDED WASHERS: DCR 2046	26-10-04
3	DCR 2206, MOVE PARTS FROM 5422.	23-01-06
4	DCR 2283, ASM RESTRICTURE	06-12-06

WHEEL SPAT SUB-ASSEMBLY RHS XT

Drawn By	Scale	Date	5790
Cris	1:5	10/07/03	SHEET 1 of 1

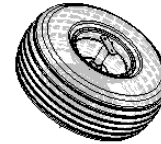
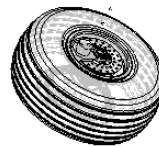
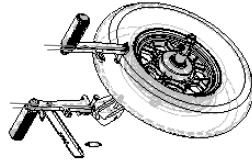


17 BRAKE KIT DISK XT STD FITTED

- 17.1 Gremica Front Wheel Asm XT No Brake*
- 17.2 Wheel 6IN Incl Tyre For Disk Brake*
- 17.3 Foot Throttle Lever Asm XT Disk Brake*
- 17.4 Brake Lever Asm XT Disk Brake*
- 17.5 Disk Brake Line Asm*
- 17.6 Disk Brake Small Parts For Spares*

- **Drawing # 7416**
- *Drawing # 7414*
- *Drawing # 7400*
- *Drawing # 7365*
- *Drawing # 7362*
- *Drawing # 7422*
- *Drawing # 7420*

ITEM NO.	NAME	DWG PART NO.	QTY.
1	GREMICA FRONT WHEEL SUBASM XT NO BRAKE	7414	108437
2	WHEEL 6IN INCL TYRE FOR DISK BRAKE	7400	108457
3	SPAT AXLE BRACKET EDGE XT GREY	5355	105097
4	FOOT THROTTLE LEVER ASM XT DISK BRAKE	7365	108466
5	BRAKE LEVER SUB-ASSEM XT GREY DISK BRAKE	7362	108464
6	DISK BRAKE KIT (WIP) FREE BIRD	7344	108469
7	DISK BRAKE LINE ASSEMBLY	7422	108586
8	BUSH ALLOY 18OD 13ID X 10L	5453	108588
9	Bolt AN3-21 a	5449	101184
10	NUT NYLOC AN3 FULL	5535	100051
11	WASHER AN3	5540	100049
12	SKT CSK SCREW UNF 1-4" x 1"	5568	102062
13	NUT NYLOC AN4 FULL	5535	100034
14	BRAKE FLUID CASTROL TQ DEXRON III	7423	108510
15	CABLE TIE MED	5605	101193
16	BOLT AN5-15 a	5493	100015
17	NUT NYLOC AN5 HALF	5561	100037
18	SCOURER GRIT PLUG MASTER CYL VENT 8.8MM	7468	108626



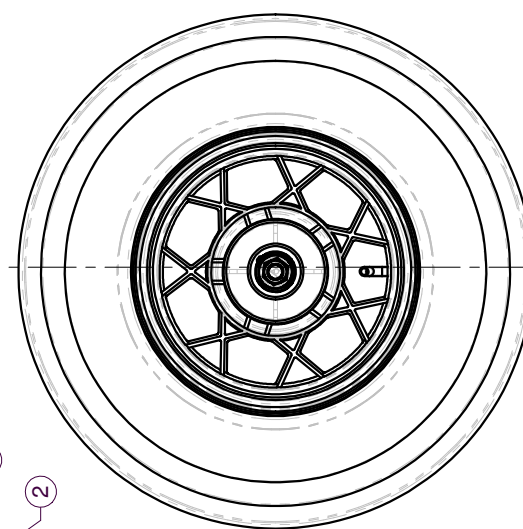
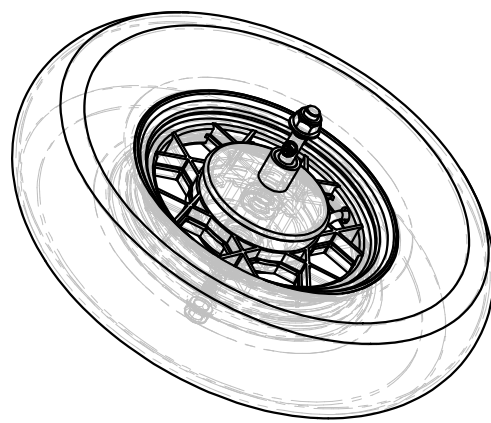
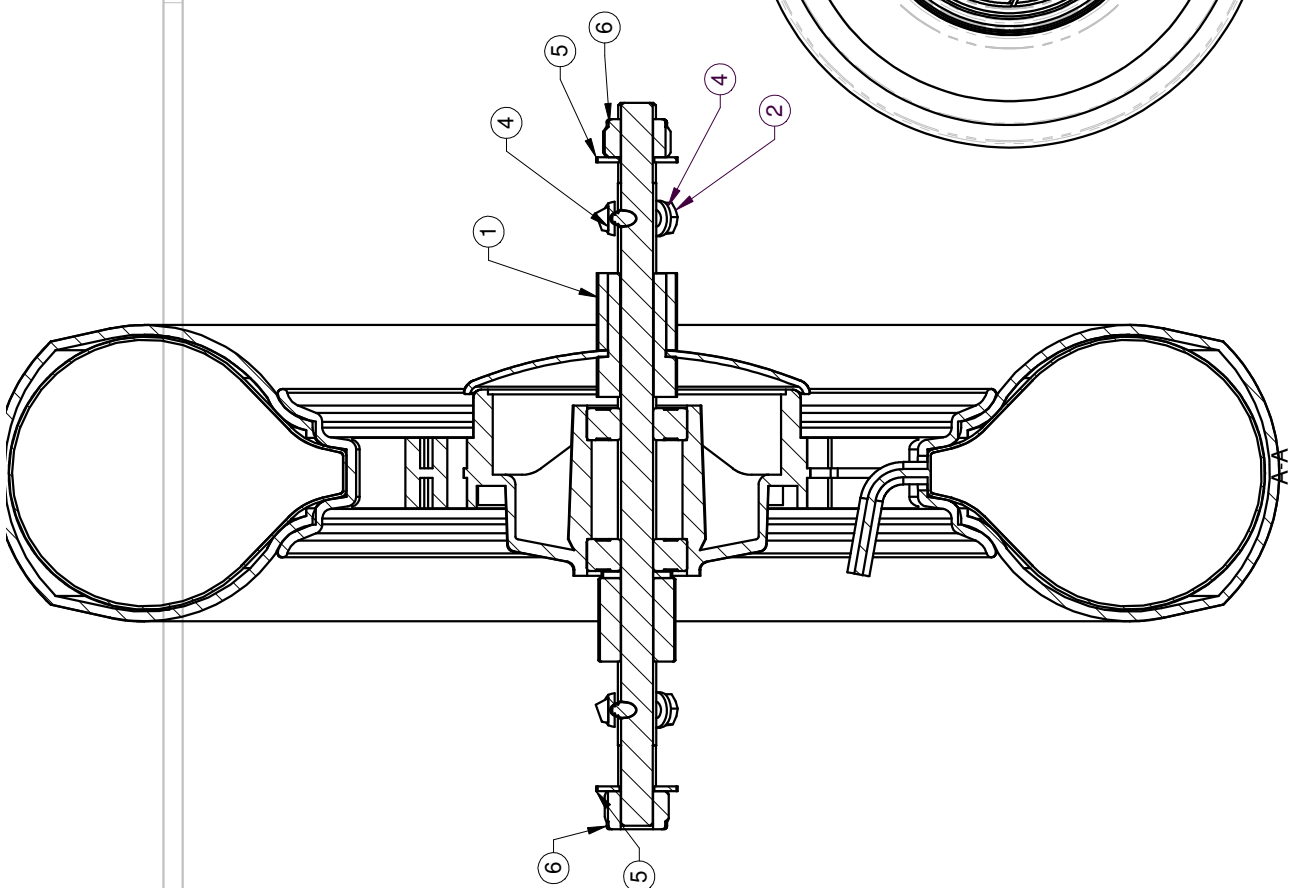
NOTE:
 1. MORE DETAILED INSTRUCTIONS WILL BE ADDED TO THIS ASSEMBLY AT A LATER DATE.
 2. APPROX 200ml OF BRAKE FLUID IS USED TO FILL THE BRAKE SYSTEM, THIS IS REFLECTED IN THE BOM.
 3. AN5-15a BOLT AND AN5 HALF NUT ARE ADDED TO THE FORK PIVOT.

BRAKE KIT DISK XT STD FITTED			
Drawn By	Scale	Date	7416
Simon	1:15	18-04-07	SHEET 1 of 1

PART NO. 108419
 LAST ACCESSED: Monday, 9 July 2007
 ALL DIMENSIONS IN MILLIMETERS UNLESS STATED OTHERWISE

Rev	AMENDMENTS	Date
1	DCR 2312. ADD NUT AND BOLT	27-06-07

ITEM NO.	NAME	DWG	PART NO.	QTY.
1	AXLE ASM FRNT GREMICA WITHOUT BRAKE	7419	108442	1
2	Bolt AN3-10 a	5449	102927	2
3	NUT NYLOC AN3 FULL	5535	100051	2
4	WASHER AN3	5540	100049	4
5	WASHER SS 1-2 X 1" 304 FLAT	5540	100093	2
6	NUT NYLOC M 12 FULL - FINE	5604	103612	2
7	WHEEL 8IN INCL TYRE & TUBE (GREMICA	6898	107511	1

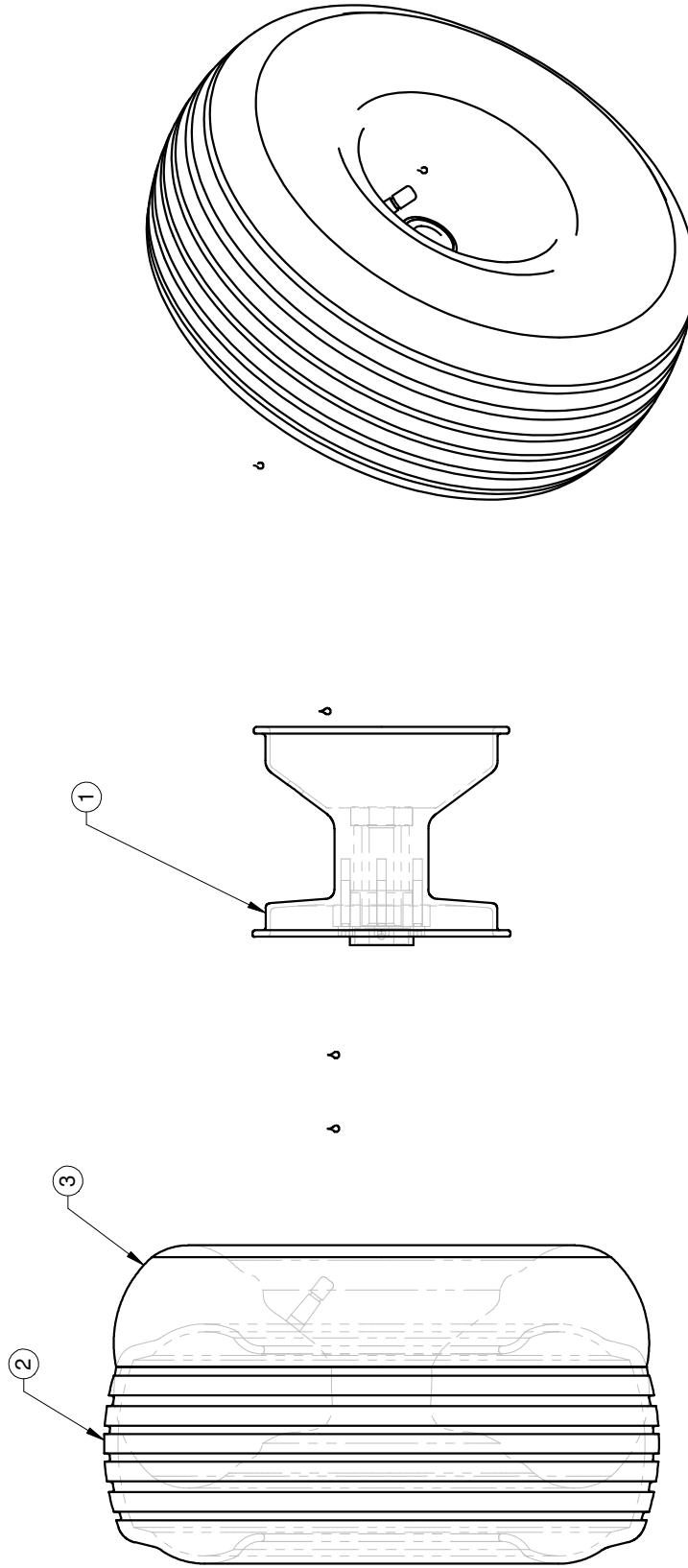


NOTE:
WHEEL RIM 8" COMPLETE AS PURCHASED
#102931 ORIGINALLY MADE ON TC A4-4597
NEW PART #106713 NOW ON 6575

COPIED FROM A4-5950, 17-04-07

Rev		AMENDMENTS	Date
PART NO. 108437 - 0LAST ACCESSED: Tuesday, 26 June 2007 ALL DIMENSIONS IN MILLIMETERS UNLESS STATED OTHERWISE		Drawn By Simon	Date 17-04-07
GREMICA FRONT WHEEL SUBASM XT NO BRAKE		Scale 1:5	7414 SHEET 1 of 1
		AirBorne AUSTRALIA	

ITEM NO.	NAME	DWG PART NO.	QTY.
1	WHEEL RIM 6IN FOR DISK BRAKES ASM	7458	108674
2	TYRE 6" X 6.00 STANDARD	5651	100268
3	TUBE INNER 6" SUIT TYRE 6.00X6	5653	100369

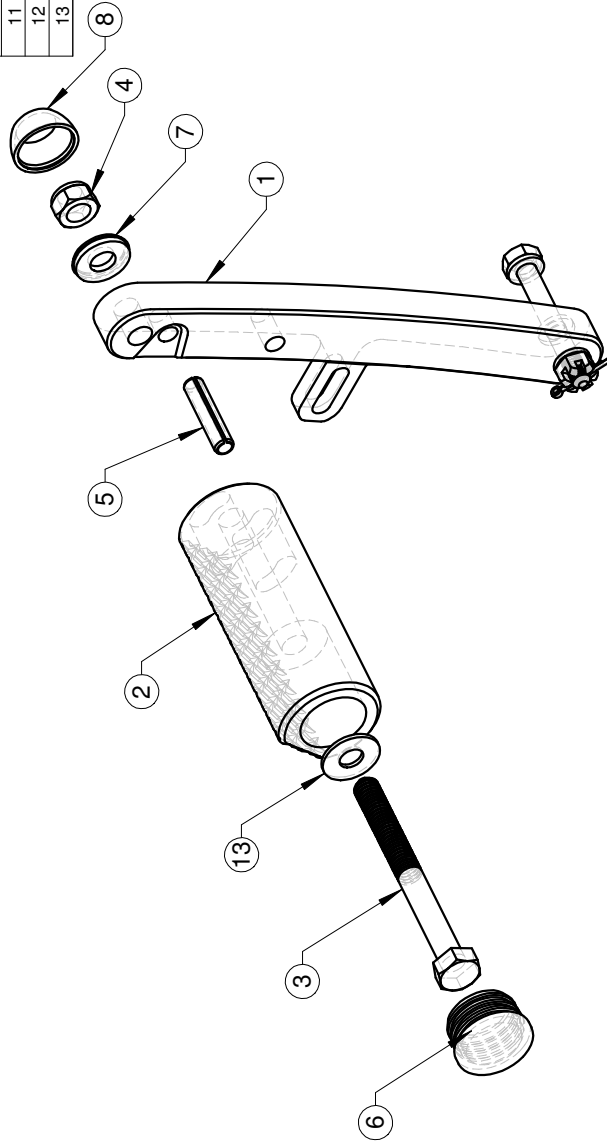


WHEEL 6IN INCL TYRE FOR DISK BRAKE	
Drawn By	Simon
Scale	1:4
Date	05-04-07
7400	
SHEET 1 of 1	

Rev	AMENDMENTS	Date
1	CHG ASM SEQ ADDED 108674	25-06-07

PART NO. 108457 - 0
 LAST ACCESSED: Monday, 9 July 2007
 ALL DIMENSIONS IN MILLIMETERS UNLESS STATED OTHERWISE

ITEM NO.	NAME	DWG	PART NO.	QTY.
1	FOOT THROTTLE LEVER TYPE AL XT	7364	108467	1
2	FOOT LEVER ACETAL TOP ARM	7361	108477	1
3	BOLT 8.8 GR M8x80	5935	100908	1
4	NUT NYLOC M 8 FULL	5604	100915	1
5	ROLL PIN 1-4" X 1 1-8"	5516	102356	1
6	CAP ROUND TUBE CLOSURE 1IN	5633	103225	1
7	CAP WASHER BASE CLIP M8	5667	100604	1
8	CAP WASHER COVER BLK M8	5666	100603	1
9	BOLT AN4-20	5450	105330	1
10	WASHER NYLON 1-4" OBA THICK	5540	102424	3
11	NUT AN4 CASTLE	6297	100040	1
12	SPLIT PIN M2.0 x 20	6296	100308	1
13	WASHER SS 5-16 X 3-4"	5540	102332	1



FOOT THROTTLE LEVER ASM XT DISK BRAKE

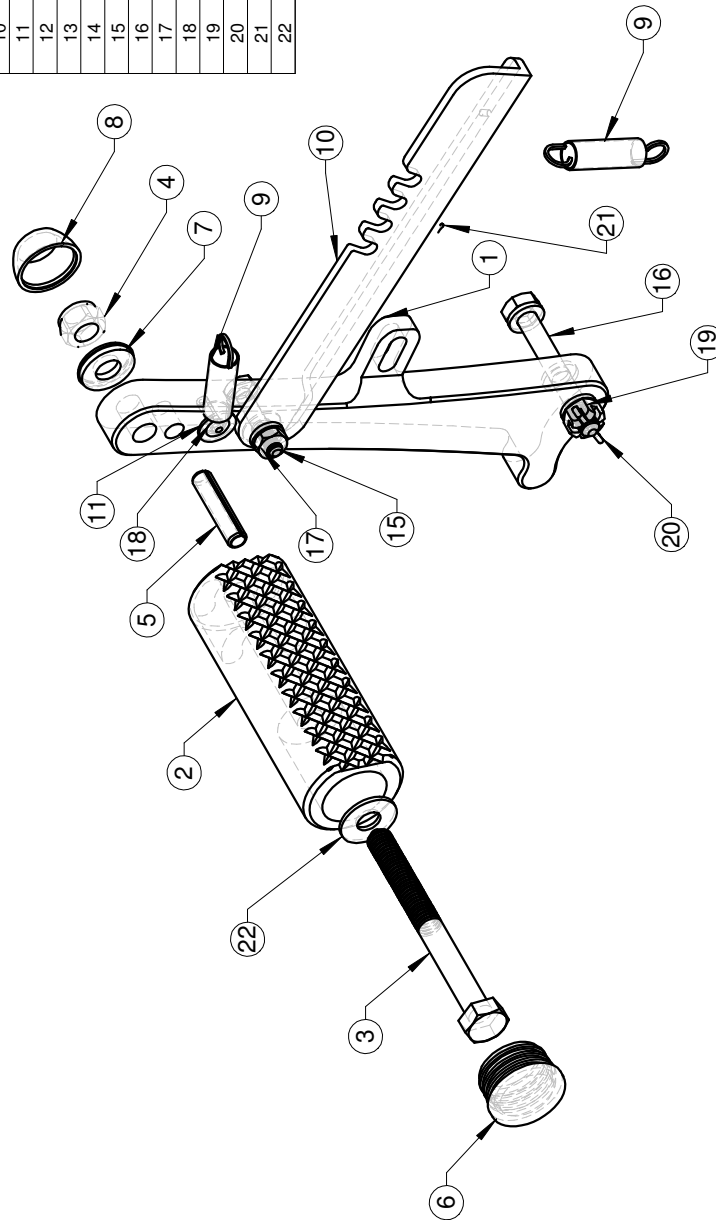
Drawn By	Date	7365 SHEET 1 of 1
Simon	27-02-07	

LAST ACCESSED: Monday, 9 July 2007
ALL DIMENSIONS IN MILLIMETERS UNLESS STATED OTHERWISE

PART NO. 108466

Rev	AMENDMENTS	Date

ITEM NO.	NAME	DWG PART NO.	QTY.
1	BRAKE LEVER FOOT TYPE AL XT	7359 108465	1
2	FOOT LEVER ACETAL TOP ARM	7361 108477	1
3	BOLT 8.8 GR M8x80	5935 100908	1
4	NUT NYLOC M 8 FULL	5604 100915	1
5	ROLL PIN 1-4" X 1 1-8"	5516 102356	1
6	CAP ROUND TUBE CLOSURE 1IN	5633 103225	1
7	CAP WASHER BASE CLIP M8	5667 100604	1
8	CAP WASHER COVER BLK M8	5666 100603	1
9	SPRING TENSION T56 - FOOT LEVERS	5556 104779	2
10	PARK BRAKE LEVER	5562 104702	1
11	WASHER SS 3-16 X 1-2"	5540 100569	1
12	WASHER AN3	5540 100049	2
13	WASHER NYLON 1-4" OBA THIN	5540 103961	1
14	WASHER NYLON 1-4" OBA THICK	5540 102424	3
15	Bolt AN3-10 a	5449 102927	1
16	BOLT AN4-20	5450 105330	1
17	NUT NYLOC AN3 HALF	5561 101334	1
18	POP RIVET 5/32" MED (5-5)	5515 100161	1
19	NUT AN4 CASTLE	6297 100040	1
20	SPLIT PIN M2.0 x 20	6296 100308	1
21	DRILLUBE SOLID LLUBE	5637 106432	1
22	WASHER SS 5-16 X 3-4"	5540 102332	1



BRAKE LEVER SUB-ASSEM XT GREY DISK BRAKE

Drawn By	Date	7362
Simon	27-02-07	SHEET 1 of 1



PART NO. 108464

LAST ACCESSED: Monday, 9 July 2007
ALL DIMENSIONS IN MILLIMETERS UNLESS STATED OTHERWISE

Rev	AMENDMENTS	Date

ITEM NO.	NAME	DWG	PART NO.	QTY.
1	PVC TUBE BLACK FOR BRAKE LINE SLEEVE	7421	108585	1
2	DISK BRAKE COMP FIT 1/8 NPT 90	7420	108581	1
3	DISK BRAKE COMP FIT 1/8 NPT ST FBI 44756	7420	108571	2
4	DISK BRAKE COMPFIT 1/8 NPT TEE FBI 44769	7420	108578	1
5	BRAKE LINE HOSE FBI NO 44743	7421	108568	1
6	PVC TUBE CLEAR 10MM	7421	104561	1
7	CABLE TIE MED	5605	101193	6
8	HOSE BUSH 6ID x 20L	5726	108587	1

NOTE :
THIS IS A VIRTUAL ASSEMBLY
QUANTITIES OF HOSE USED:
1. 108585 - PVC TUBE BLACK FOR BRAKE LINE SLEEVE X 3.8M TOTAL
2. 108568 - BRAKE LINE HOSE FBI NO 44743 X 3.9M TOTAL
3. 104561 - PVC TUBE CLEAR 10MM X 0.24M TOTAL

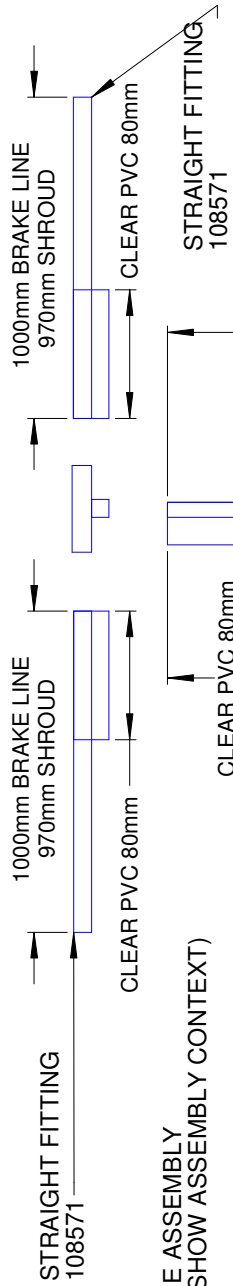


PHOTO SHOWS BRAKE LINE ASSEMBLY
(PLUS OTHER PARTS TO SHOW ASSEMBLY CONTEXT)



HOSE BUSH 6ID X 20 L PROTECTS FROM
KINKING HYDRAULIC HOSE.
CABLE TIES AT THE END OF THE 10MM CLEAR
PVC TUBE TO HOLD IN PLACE, AND OVER CLEAR
TUBE AND THE TEE PIECE AT OTHER END

Rev	AMENDMENTS	Date

PART NO. 108586

LAST ACCESSED: Monday, 9 July 2007
ALL DIMENSIONS IN MILLIMETERS UNLESS STATED OTHERWISE

Drawn By Simon	Scale 1:2	Date 19-04-07	7422 SHEET 1 of 1
-------------------	--------------	------------------	----------------------

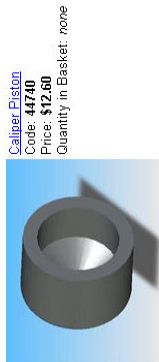
DISK BRAKE LINE ASSEMBLY

AirBorne
AUSTRALIA

ITEM NO.	PART NO.	NAME	MATERIAL DESCRIPTION	MATL. NO.	REQD
1	108567	BRAKE CALIPER PISTON FBI NO 44740	NA	NA	NA
1	108568	BRAKE LINE HOSE FBI NO 44743	NA	NA	NA
1	108569	O-RING BX BRAKE MASTER CYL FBI NO 44749	NA	NA	NA
1	108570	BRAKE PAD DISK BX OUTER FBI NO 44753	NA	NA	NA
1	108571	DISK BRAKE COMP FIT 1/8 NPT ST FBI 44756	NA	NA	NA
1	108572	PLUG MASTER CYL BX 1/4" NPT FBI 44758	NA	NA	NA
1	108573	PLUG MASTER CYL VENT 1/4" NPT FBI 44759	NA	NA	NA
1	108574	PLUG MASTER CYL BX 1/8" NPT FBI 44760	NA	NA	NA
1	108575	DISK BRAKE MAST CYL RTN SPRING FBI 44761	NA	NA	NA
1	108576	O-RING BRAKE CALIPER PISTON FBI 44765	NA	NA	NA
1	108577	SCREW BRAKE BLEEDER FBI 44767	NA	NA	NA
1	108578	DISK BRAKE COMPFIT 1/8 NPT TEE FBI 44769	NA	NA	NA

PRICES SHOWN ARE IN USD AND MAY NOT BE ACCURATE.

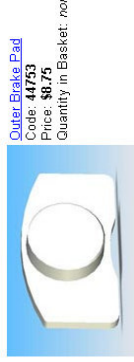
FEEL FREE TO PURCHASE THESE SPARE PARTS DIRECT FROM <http://flyfbi.com>



Caliper Piston
Code: 44740
Price: \$12.80
Quantity in Basket: none



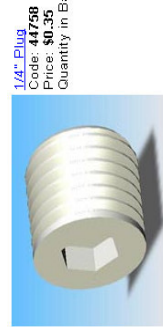
Master Cylinder O-ring
Code: 44749
Price: \$0.85
Quantity in Basket: none



Outer Brake Pad
Code: 44753
Price: \$8.75
Quantity in Basket: none



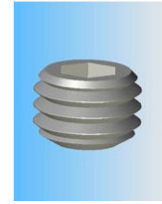
Compression Fitting
Code: 44756
Price: \$4.75
Quantity in Basket: none



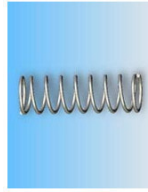
1/4" Plug
Code: 44758
Price: \$0.35
Quantity in Basket: none



Vent Plug
Code: 44759
Price: \$1.50
Quantity in Basket: none



1/8" Plug
Code: 44760
Price: \$0.28
Quantity in Basket: none



Return Spring
Code: 44761
Price: \$3.45
Quantity in Basket: none



Caliper O-ring
Code: 44765
Price: \$0.50
Quantity in Basket: none

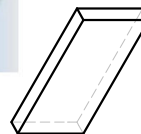


Bleeder Screw
Code: 44767
Price: \$4.45
Quantity in Basket: none



Tee Fitting
Code: 44769
Price: \$11.75
Quantity in Basket: none

THESE ARE VIRTUAL PARTS



Rev	AMENDMENTS	Date

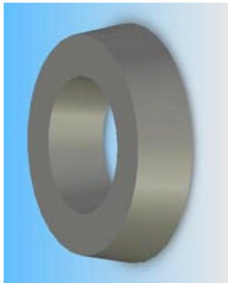
PART NO. 108567

LAST ACCESSED: Monday, 9 July 2007
ALL DIMENSIONS IN MILLIMETERS UNLESS STATED OTHERWISE

DISK BRAKE PARTS FROM FBI

Drawn By	Scale	Date
Simon	1:4	19-04-07

ITEM NO.	PART NO.	NAME	MATERIAL DESCRIPTION	MATL. NO.	REQD
1	108579	MASTER CYLINDER CUP SEAL FBI NO 44776	NA	NA	NA
ITEM NO.	PART NO.	NAME	MATERIAL DESCRIPTION	MATL. NO.	REQD
1	108580	MASTER CYL CUP SEAL WASHER FBI 44777	NA	NA	NA
ITEM NO.	PART NO.	NAME	MATERIAL DESCRIPTION	MATL. NO.	REQD
1	108581	DISK BRAKE COMP FIT 1/8 NPT 90 FBI 44840	NA	NA	NA
ITEM NO.	PART NO.	NAME	MATERIAL DESCRIPTION	MATL. NO.	REQD
1	108582	BRAKE PAD DISK BX INNER FBI 44751-1	NA	NA	NA
ITEM NO.	PART NO.	NAME	MATERIAL DESCRIPTION	MATL. NO.	REQD
1	108583	BRAKE PAD INNER PLATE FBI NO 44752-1	NA	NA	NA
ITEM NO.	PART NO.	NAME	MATERIAL DESCRIPTION	MATL. NO.	REQD
1	108584	WASHER AN10 FBI NO AN960-1016	NA	NA	NA



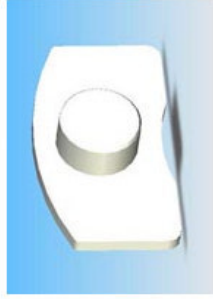
Cup Seal
Code: **44776**
Price: **\$7.75**
Quantity in Basket: none

PRICES SHOWN ARE IN USD AND MAY NOT BE ACCURATE.

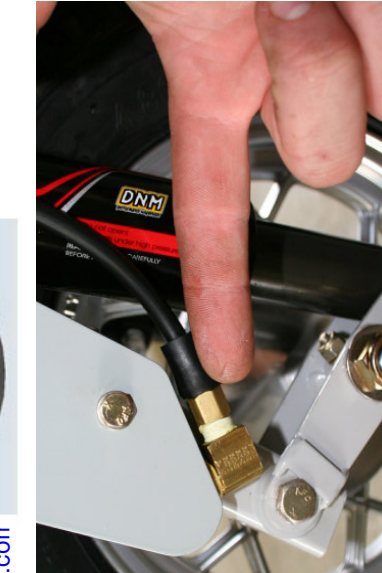
FEEL FREE TO PURCHASE THESE SPARE PARTS DIRECT FROM <http://flyfbi.com>



Cup Seal Washer
Code: **44777**
Price: **\$1.00**
Quantity in Basket: none



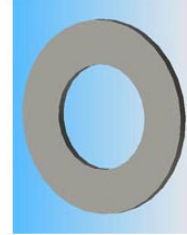
Inner Brake Pad
Code: **44751-1**
Price: **\$8.75**
Quantity in Basket: none



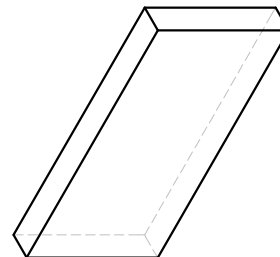
FBI PART NO 44840 90 DEG FITTING



Inner brake pad backing plate
Code: **44752-1**
Price: **\$8.00**
Quantity in Basket: none



AN10 Washer
Code: **AN960-1016**
Price: **\$0.30**
Quantity in Basket: none



Rev	AMENDMENTS	Date

PART NO. 108579

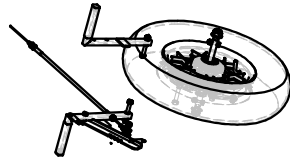
LAST ACCESSED: Monday, 9 July 2007
ALL DIMENSIONS IN MILLIMETERS UNLESS STATED OTHERWISE

DISK BRAKE PARTS FROM FBI

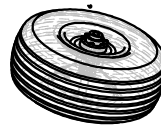
Drawn By	Date	7420
Simon	19-04-07	SHEET 2 of 2

18 BRAKE KIT DRUM XT STD FITTED	-	Drawing # 7418
<i>18.1 Gremica Front Wheel Asm XT Drum Brake</i>	-	<i>Drawing # 7415</i>
<i>18.2 Foot Throttle Lever Asm XT 3 Hole</i>	-	<i>Drawing # 6774</i>
<i>18.3 Brake Lever Sub Asm XT Grey</i>	-	<i>Drawing # 5550</i>
<i>18.4 Wheel 6IN Incl Tyre for Disk Brake</i>	-	<i>Drawing # 7400</i>

ITEM NO.	NAME	DWG	PART NO.	QTY.
1	GREMICA FRONT WHEEL SUBASM XT DRUM BRAKE	7415	108443	1
2	FOOT THROTTLE LEVER ASSEM XT 3 HOLE	6774	107046	1
3	BRAKE LEVER SUB-ASSEM XT GREY	5550	105279	1
4	SPAT AXLE BRACKET EDGE XT GREY	5355	105097	2
5	WHEEL 6IN INCL TYRE FOR DISK BRAKE	7400	108457	2
6	BUSH ALLOY 300D 5-8"ID X 9L	5453	108589	2
7	BOLT AN5-22 a	5493	100017	1
8	SPACER SS 8 x 1.0x15.8L	5451	102901	1
9	NUT NYLOC AN5 HALF	5561	100037	1



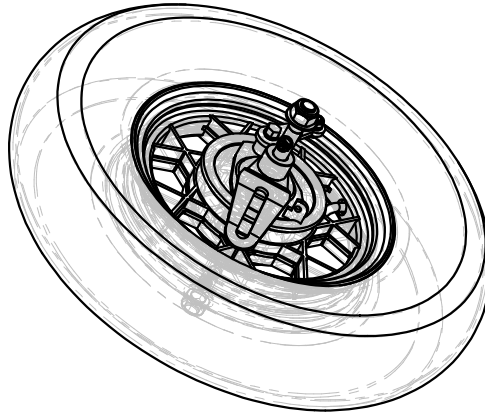
NOTE:
1. AN5-15a BOLT SS SPACER AND AN5 HALF NUT ARE ADDED TO THE FORK PIVOT.



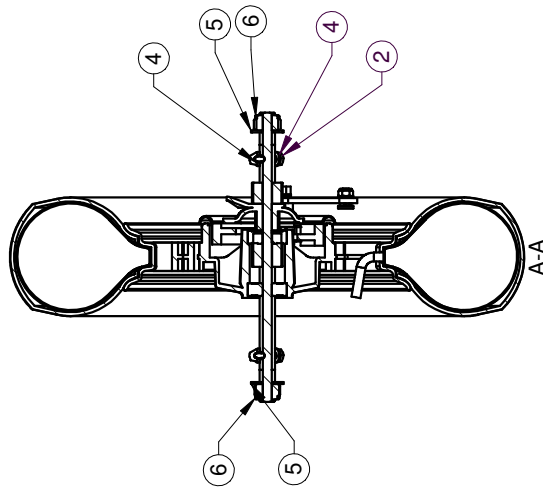
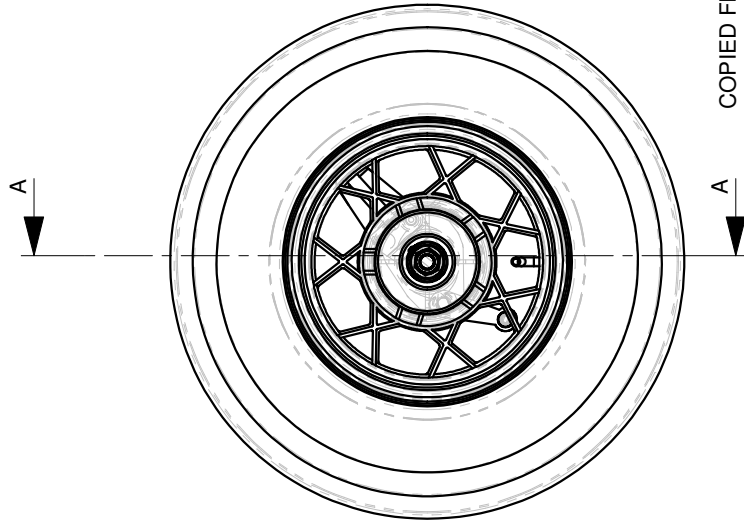
PART NO. 108418	
Drawn By	Simon
Scale	1:15
Date	27-04-07
AirBorne AUSTRALIA	
7418	
SHEET 1 of 1	

Rev	AMENDMENTS	Date
1	DCR 2312, ADD PIVOT BOLT PARTS	27-06-07
LAST ACCESSED: Wednesday, 27 June 2007		
ALL DIMENSIONS IN MILLIMETERS UNLESS STATED OTHERWISE		

ITEM NO.	NAME	DWG	PART NO.	QTY.
1	AXLE ASM FRONT EDGE X-XT GREMICA	6575	106713	1
2	Bolt AN3-10 a	5449	102927	2
3	NUT NYLOC AN3 FULL	5535	100051	2
4	WASHER AN3	5540	100049	4
5	WASHER SS 1-2 X 1" 304 FLAT	5540	100093	2
6	NUT NYLOC M 12 FULL - FINE	5604	103612	2
7	WHEEL 8IN INCL TYRE & TUBE (GREMICA	6898	107511	1



NOTE:
WHEEL RIM 8" COMPLETE AS PURCHASED
#102931 ORIGINALLY MADE ON TC A4-4597
NEW PART #106713 NOW ON 6575



COPIED FROM A4-5950, 17-04-07

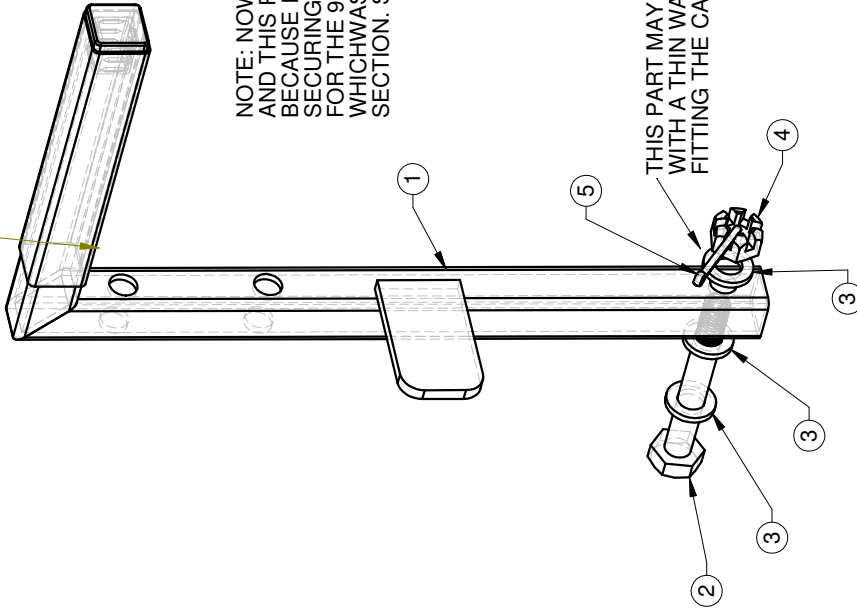
GREMICA FRONT WHEEL SUBASM XT DRUM BRAKE	
Drawn By Simon	Date 17-04-07
Scale 1:5	Date 17-04-07
AirBorne AUSTRALIA	
7415 SHEET 1 of 1	

PART NO. 108443 - 0
LAST ACCESSED: Monday, 9 July 2007
ALL DIMENSIONS IN MILLIMETERS UNLESS STATED OTHERWISE

Rev	AMENDMENTS	Date

ITEM NO.	NAME	DWG	PART NO.	QTY.
1	FOOT THROTTLE LEVER 3 HOLE GRAY INC FITS	6972	107227	1
2	BOLT AN4-20	5450	105330	1
3	WASHER NYLON 1-4" OBA THICK	5540	102424	3
4	NUT AN4 CASTLE	6297	100040	1
5	SPLIT PIN M2.0 x 20	6296	100308	1

CABLE GOES BETWEEN WASHERS FOR THOTTLE CABLE; FOR DETAILS SEE TC A4-5425 FOR XT-912 SEE TC A4-6766 FOR XT-582



NOTE: NOW HARDWARE IS MOVED TO THROTTLE CABLE ASM AND THIS PART IS USED FOR BOTH 582 AND 912 TRIKES. BECAUSE IT IS THE SAME EXCEPT FOR POSITION OF CABLE SECURING BOLT. FOR THE 912 THIS PART REPLACES THE OLD PART # 105319, WHICH WAS MADE WITH ONLY ONE HOLE IN THE VERTICAL SECTION. SEE DCR 2261.

THIS PART MAY BE INTERCHANGED WITH A THIN WASHER TO ASSIST IN FITTING THE CASTLETED NUT.

NOTE PART # 108110 IS NOW OBSOLETE. SAME PART # USED FOR THE 912 AND 582 XT MODELS. POSITION OF THE CABLE SECURING BOLT IS PART OF THE ASSEMBLY PROCESS AT A HIGHER LEVEL.

Rev	AMENDMENTS	Date
1	DCR 2159, GENERIC THROTTLE TYPE	03-06-05
2	DCR 2260, TUNDRA XT	15-09-06
3	DCR 2261, ALL THROTT VERTS 3 HOLE	15-09-06
4	DCR 2283 ASM RESTURCTURE, RENAME, OBSOLETE 108110.	06-12-06

PART NO. 107046 - FOR ALL XT SERIES

LAST ACCESSED: Friday, 20 July 2007

ALL DIMENSIONS IN MILLIMETERS UNLESS STATED OTHERWISE

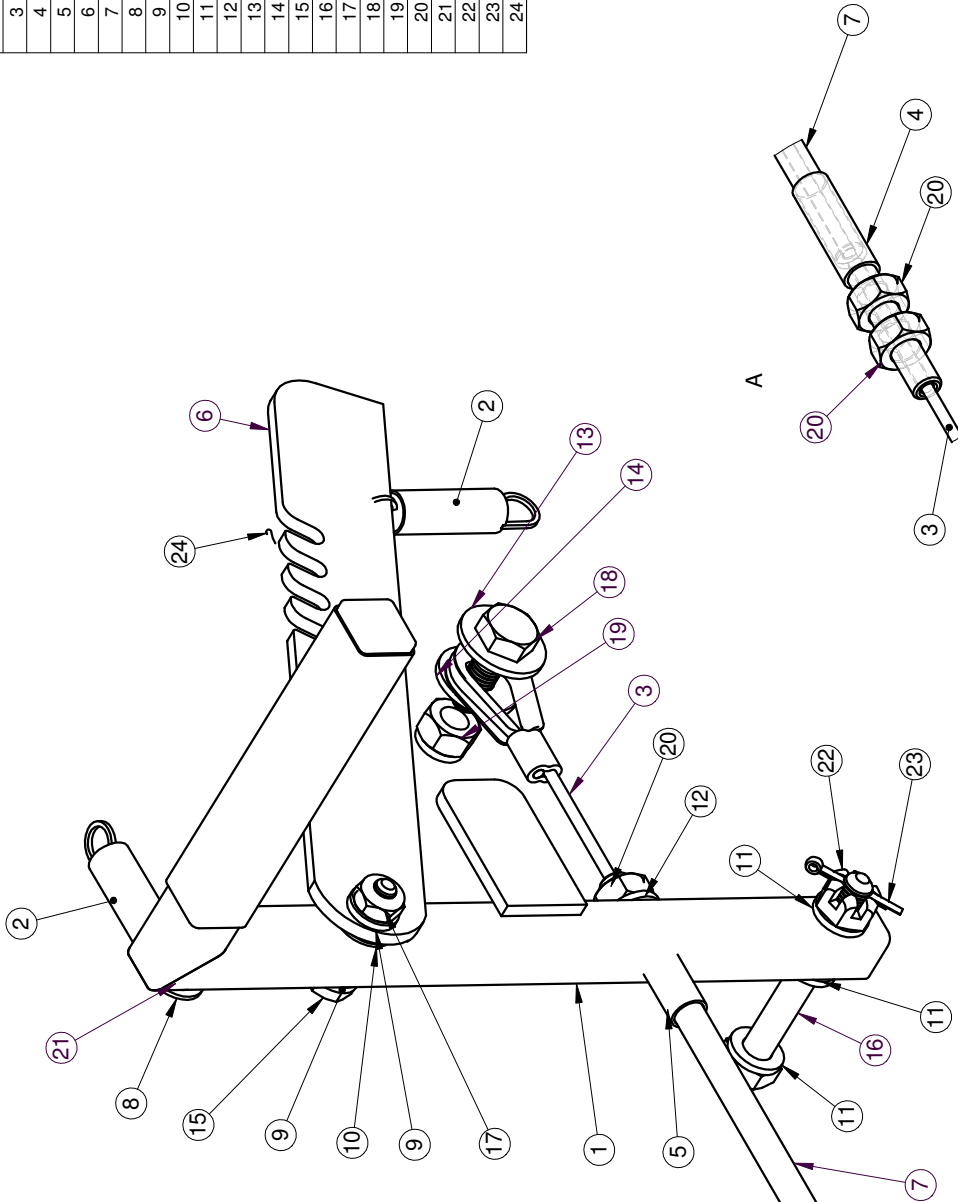
FOOT THROTTLE LEVER ASSEM XT 3 HOLE

Drawn By	Scale	Date
Cris	1:1.5	01/03/05



6774
SHEET 1 of 2

ITEM NO.	NAME	DWG	PART NO.	QTY.
1	BRAKE LEVER FOOT TYPE 2 XT GREY	5548	105278	1
2	SPRING TENSION T56 - FOOT LEVERS	5556	104779	2
3	BRAKE CABLE INNER EDGE X/XT	5573	102906	1
4	CABLE ADJUSTING SCREW 6.35 OUTER	5559	102222	1
5	CABLE ADJUSTER FRONT BRAKE	5559	102904	1
6	PARK BRAKE LEVER	5562	104702	1
7	CASING CABLE OUTER 6.35D x 325L	5581	102905	1
8	WASHER SS 3-16 X 1-2"	5540	100569	1
9	WASHER AN3	5540	100049	2
10	WASHER NYLON 1-4" OBA THIN	5540	103961	1
11	WASHER NYLON 1-4" OBA THICK	5540	102424	3
12	WASHER AN4	5540	100042	1
13	WASHER SS 1-4 X 3-4"	5540	102018	1
14	WASHER NYLON M6 XOD	5540	101055	1
15	Boil AN3-10 a	5449	102927	1
16	BOLT AN4-20	5450	105330	1
17	NUT NYLOC AN3 HALF	5561	101334	1
18	BOLT AN4-6	5450	100002	1
19	NUT NYLOC AN4 FULL	5535	100034	1
20	NUT UNF ZINC 1-4"	5506	103157	3
21	POP RIVET 5/32" MED (5-5)	5515	100161	1
22	NUT AN4 CASTLE	6297	100040	1
23	SPLIT PIN M2.0 x 20	6296	100308	1
24	DRI LUBE SOLID LUBE	5637	106432	1



UPDATE GJP FORMS WITH REV CHANGE

Rev	AMENDMENTS	Date
1	CASTLE NUT/SPLIT PIN, OBA THICK WASHER (DCR2007)	27/08/04
2	DCR 2191, MOVED PARTS TO DWG 6878, 6877, 6881	04-11-05
3	DCR 2196, MOVED PARTS TO DWG 5548	23-11-05
4	DCR 2204, ADD DRI LUBE	20-01-06
5	DCR 2260, TUNDRA XT ADDED	15-09-06

PART NO. 105279 -

LAST ACCESSED: Monday, 9 July 2007

ALL DIMENSIONS IN MILLIMETERS UNLESS STATED OTHERWISE

BRAKE LEVER SUB-ASSEM XT GREY

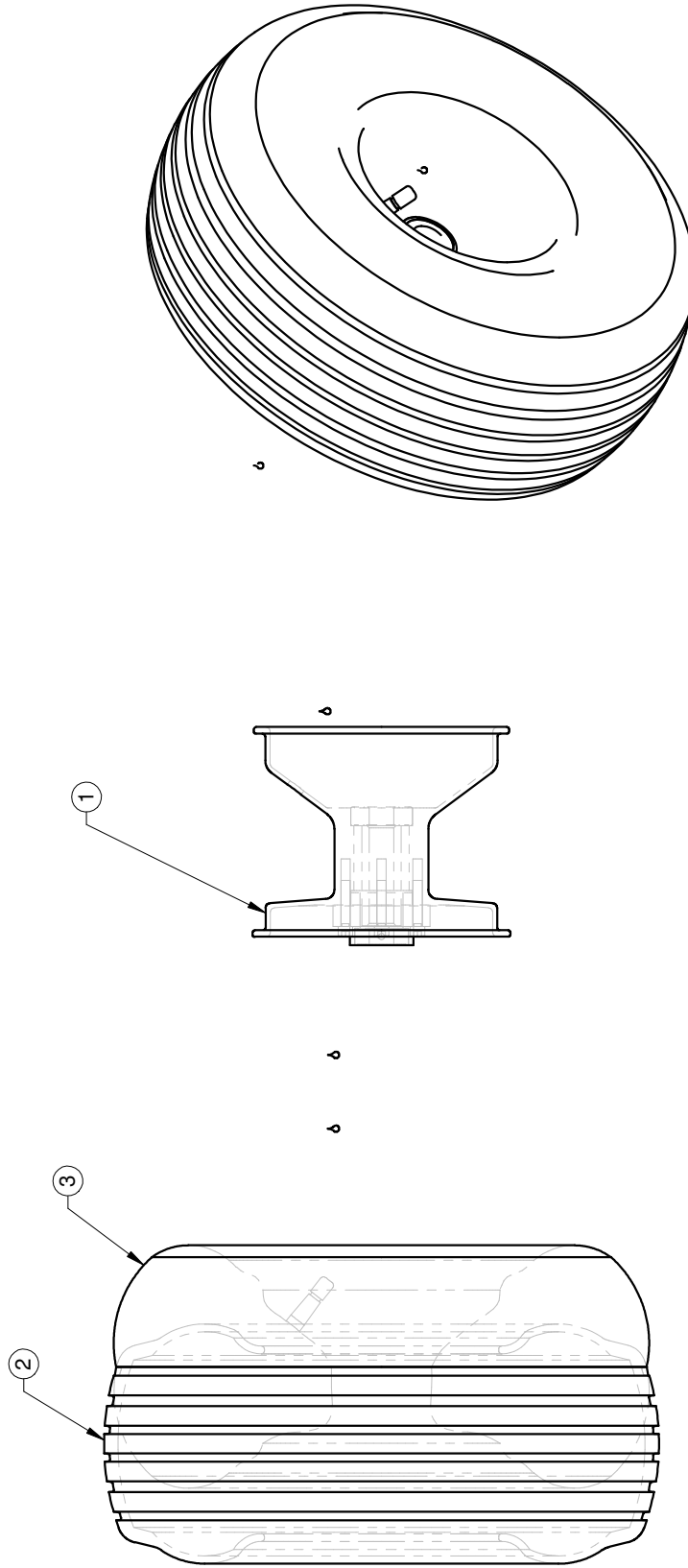
Drawn By
Simon

Scale
1:1.3

Date
03/05/03

5550
SHEET 1 of 3

ITEM NO.	NAME	DWG PART NO.	QTY.
1	WHEEL RIM 6IN FOR DISK BRAKES ASM	7458 108674	1
2	TYRE 6" X 6.00 STANDARD	5651 100268	1
3	TUBE INNER 6" SUIT TYRE 6.00X6	5653 100369	1



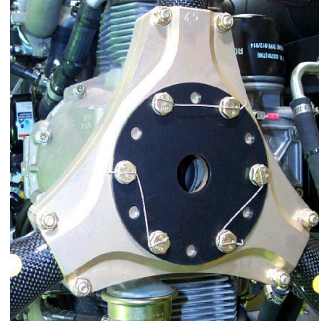
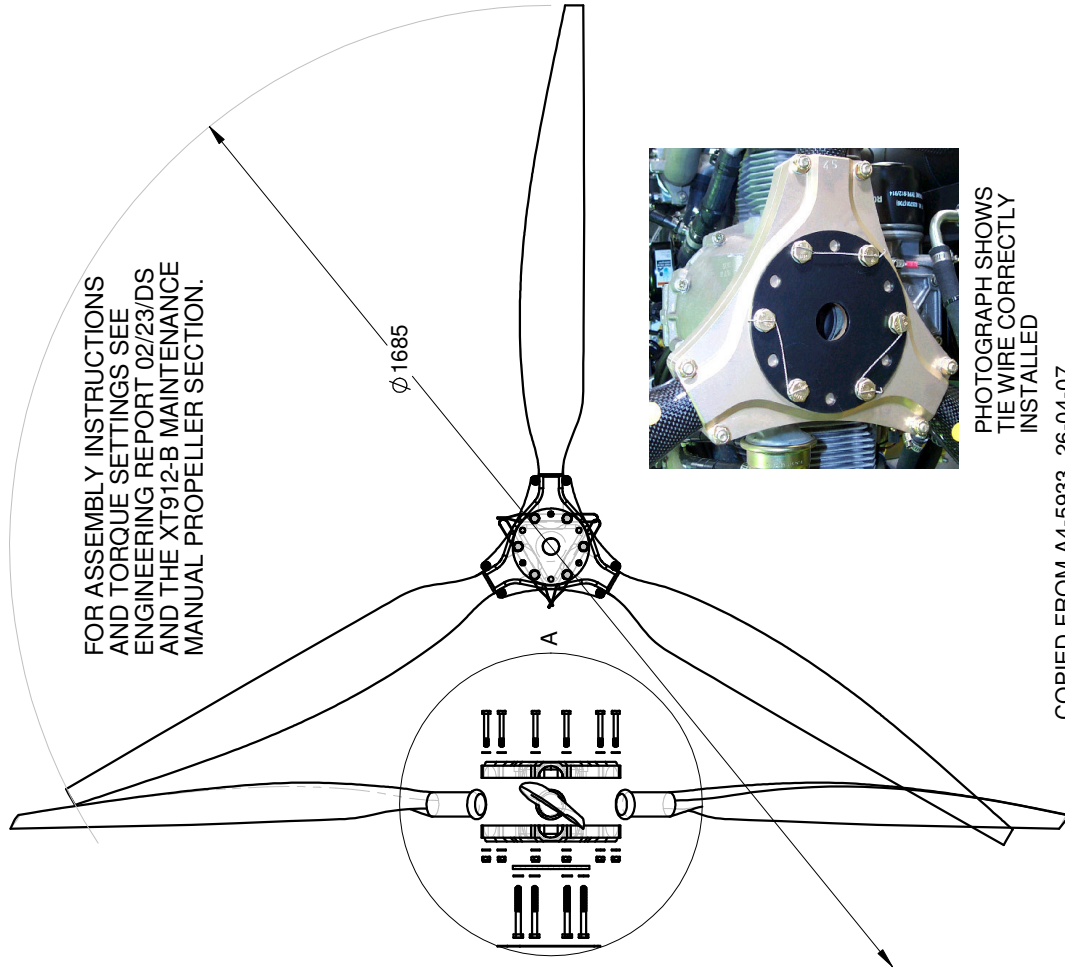
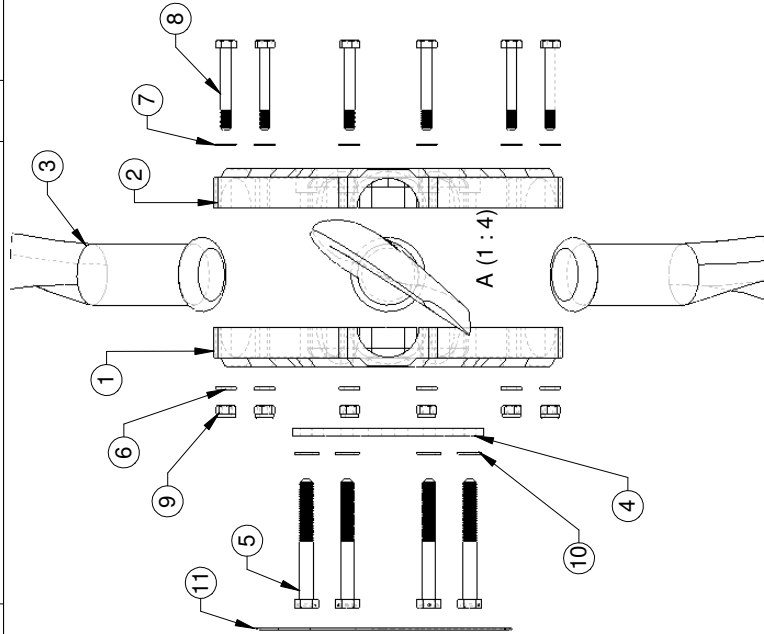
WHEEL 6IN INCL TYRE FOR DISK BRAKE	
Drawn By Simon	Date 05-04-07
Scale 1:4	7400 SHEET 1 of 1

PART NO. 108457 - 0
 LAST ACCESSED: Monday, 9 July 2007
 ALL DIMENSIONS IN MILLIMETERS UNLESS STATED OTHERWISE

Rev	AMENDMENTS	Date
1	CHG ASM SEQ ADDED 108674	25-06-07

19 PROP BOLLY CARBON XT-912 - Drawing # 7424

ITEM NO.	NAME	DWG	PART NO.	QTY.
1	BOLLY BOS3 HUB-33	6502	106495	1
2	BOLLY BOS3 HUB-35	6502	106496	1
3	PROPELLER BLADE BOLLY LH 68"DX58"	5926	105351	3
4	WASHER PROP FRONT PLATE XT912	5934	105353	1
5	BOLT 8.8 GR M8x75 DRILLED HEAD	5935	105352	6
6	WASHER AN4	5540	100042	6
7	WASHER AN4 THIN (BOLLY)	5540	106766	6
8	BOLT AN4-20 a	5450	100006	6
9	NUT NYLOC AN4 FULL	5535	100034	6
10	WASHER M8 (BOLLY)	5540	106768	6
11	TIE WIRE - 0.8D x 300L	6372	106266	3



PHOTOGRAPH SHOWS TIE WIRE CORRECTLY INSTALLED

COPIED FROM A4-5933, 26-04-07

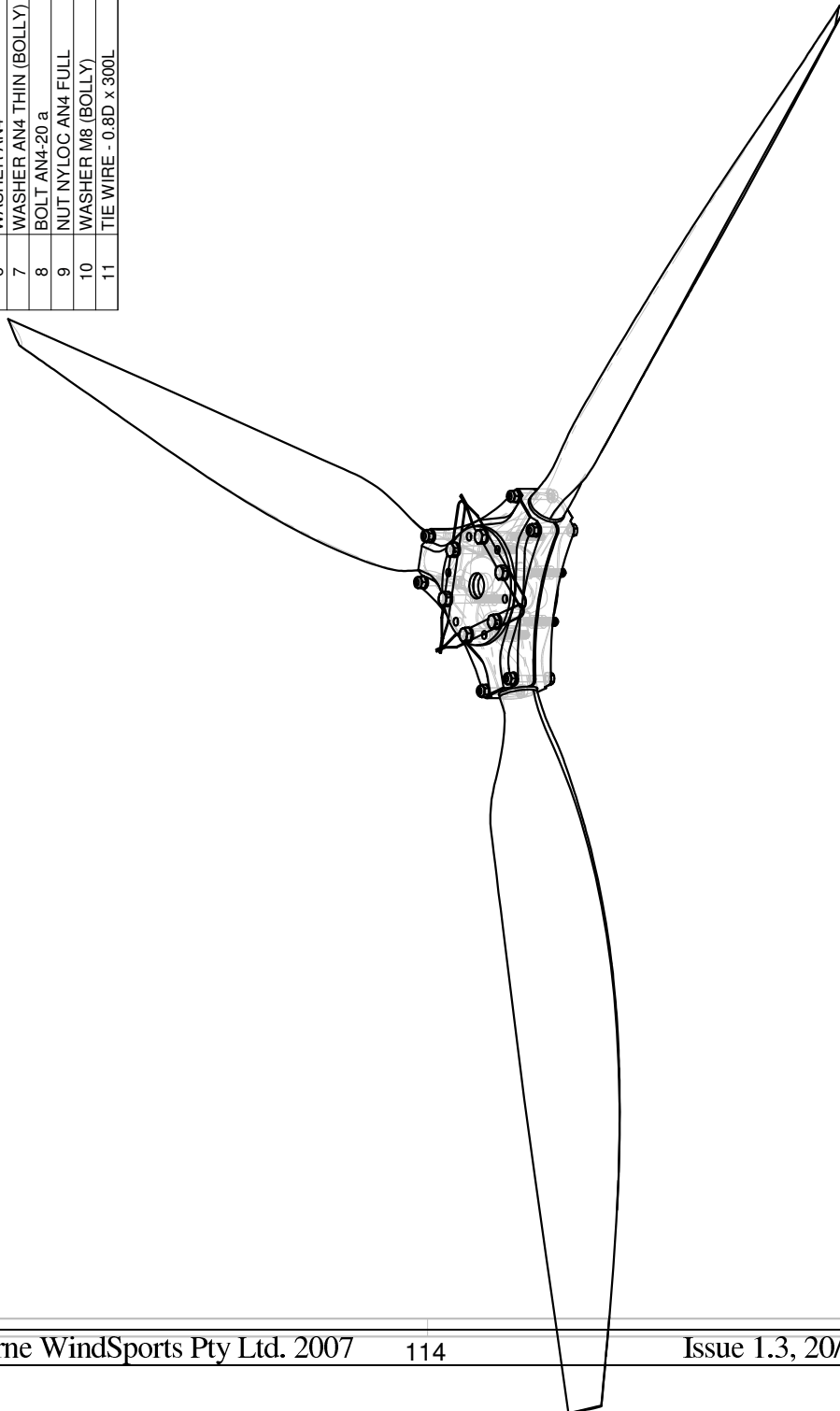
PROP INSTALLATION BOLLY LH 912 STND	
Drawn By Simon	Date 26-04-07
Scale 1:10	Date 26-04-07
7424 SHEET 1 of 2	

PART NO. 108421 - STND

LAST ACCESSED: Monday, 9 July 2007
ALL DIMENSIONS IN MILLIMETERS UNLESS STATED OTHERWISE

Rev	AMENDMENTS	Date

ITEM NO.	NAME	DWG PART NO.	QTY.
1	BOLLY BOS3 HUB-33	6502	1
2	BOLLY BOS3 HUB-35	6502	1
3	PROP BLADE BOLLY LH 68INDX58IN D/TUF-912	5926	3
4	WASHER PROP FRONT PLATE XT912	5934	1
5	BOLT 8.8 GR M8x75 DRILLED HEAD	5935	6
6	WASHER AN4	5540	6
7	WASHER AN4 THIN (BOLLY)	5540	6
8	BOLT AN4-20 a	5450	6
9	NUT NYLOC AN4 FULL	5535	6
10	WASHER M8 (BOLLY)	5540	6
11	TIE WIRE - 0.8D x 300L	6372	3



PROP INSTALLATION BOLLY LH 912 D-TUF

Drawn By: Simon
 Date: 26-04-07
 Scale: 1:6
 Part No: 7424
 Sheet: 2 of 2

PART NO. 108422 - D-TUF

LAST ACCESSED: Monday, 9 July 2007
 ALL DIMENSIONS IN MILLIMETERS UNLESS STATED OTHERWISE

Rev	AMENDMENTS	Date

20 PROP WARP DRIVE XT-912

-

Drawing # 7439

NOTE: THIS IS THE BOM FOR PART # 108640

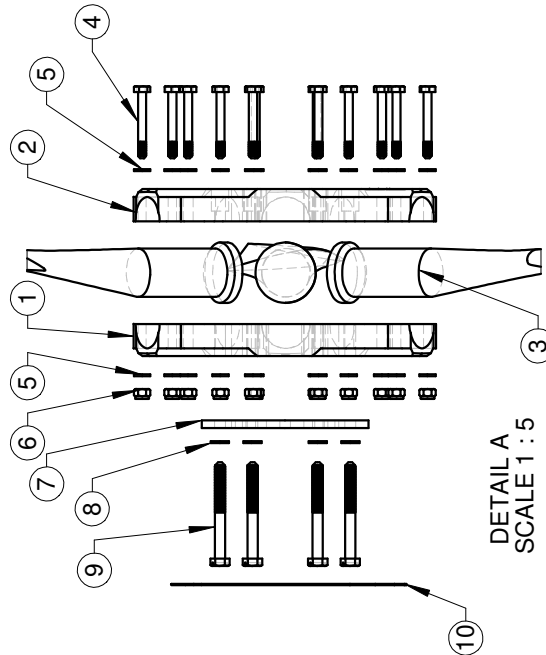
PART # 108644 - WARP DRIVE HUB WDHPL3 914 FRONT
 PART # 108645 - WARP DRIVE HUB WDHPL3 914 BACK
 PART # 100006 - BOLT AN4-20A
 PART # 100042 - WASHER AN4
 PART # 100034 - NUT NYLOC AN4 FULL

THESE PARTS ARE RECEIVED AS A COPRODUCT
 OF PART # 108630 / 1 UNDER ONE PART # :
 108640 - PROP HUB COMPLETE WARP DRIVE 912

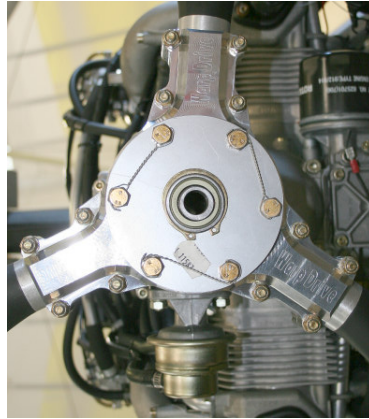
FURTHERMORE THEY ARE ONLY USED IN THE VISUAL
 MANUFACTURING SYSTEM AS THAT ONE PART #.

ITEM NO.	NAME	DWG PART NO.	QTY.
1	WARP DRIVE HUB WDHPL3 914 FRONT	7444 108644	1
2	WARP DRIVE HUB WDHPL3 914 BACK	7444 108645	1
3	PROP BLADE WARP DRIV LH 68IND 912 NICKEL	7443 108636	3
4	BOLT AN4-20 a	5450 100006	12
5	WASHER AN4	5540 100042	24
6	NUT NYLOC AN4 FULL	5535 100034	12
7	PROP COVER WASHER PLATE ROTAX 912	7447 107648	1
8	WASHER AN5	5540 100043	6
9	BOLT 8.8 GR M8x75 DRILLED HEAD	5935 105352	6
10	TIE WIRE - 0.8D x 300L	6372 106266	3
11	WARP DRIVE PROTRACTOR	7448 108634	1

FOR ASSEMBLY INSTRUCTIONS
 AND TORQUE SETTINGS SEE
 ENGINEERING REPORT 07/32/TD
 AND THE XT912-B MAINTENANCE
 MANUAL PROPELLER SECTION.



DETAIL A
 SCALE 1 : 5



NOTE:
 1. PHOTOGRAPH SHOWS TIE WIRE
 CORRECTLY INSTALLED.
 2. TOW SYSTEM PLATE IS SHOWN.



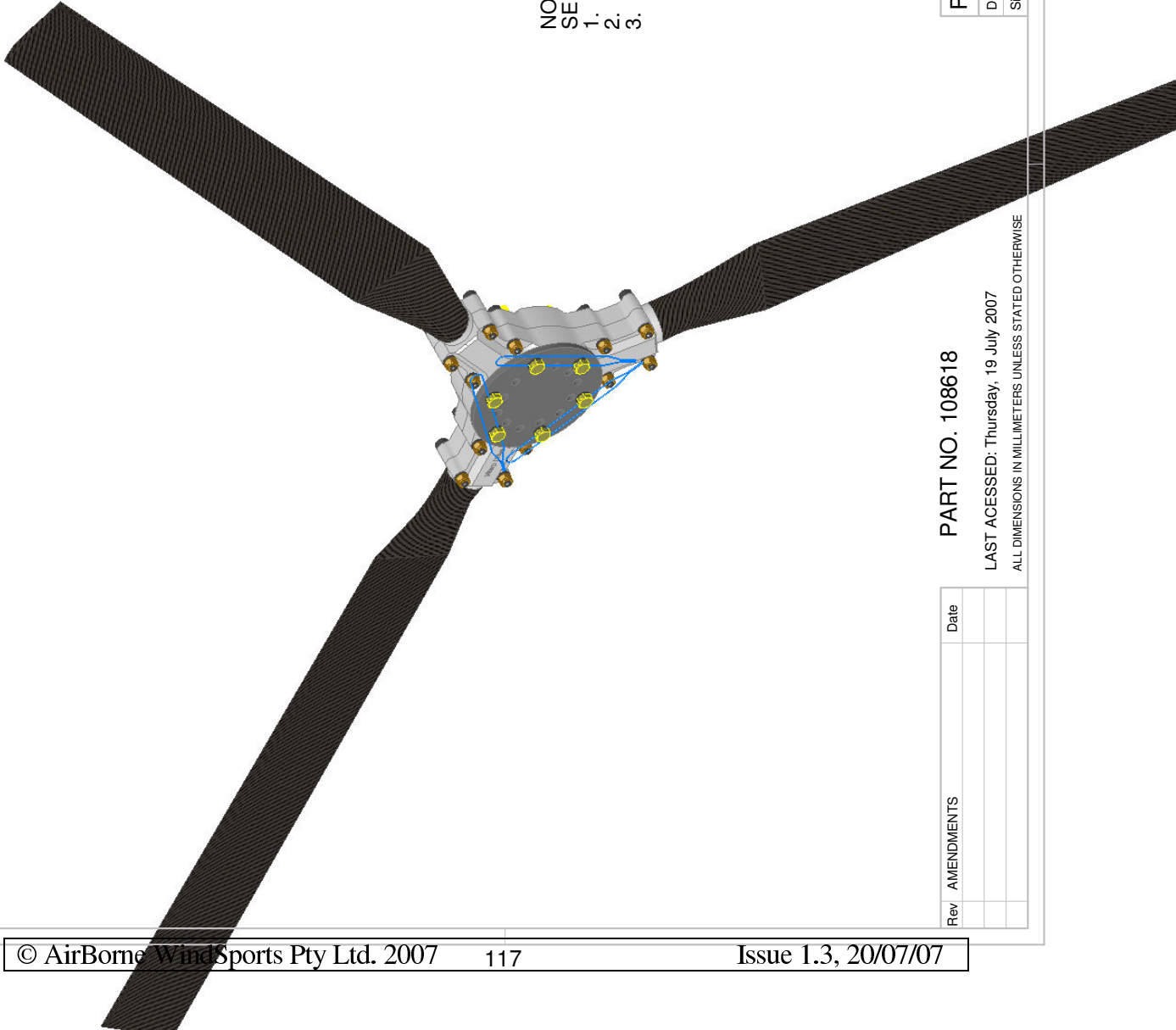
PROP INSTALL WARP DRIVE LH 912 NICKEL

PART NO. 108619
 LAST ACCESSED: Thursday, 19 July 2007
 ALL DIMENSIONS IN MILLIMETERS UNLESS STATED OTHERWISE

Rev	AMENDMENTS	Date

Drawn By Simon	Scale 1:10	Date 31-05-07	7439
AirBorne AUSTRALIA			SHEET 1 of 2

ITEM NO.	NAME	DWG	PART NO.	QTY.
1	WARP DRIVE HUB WDHPL3 914 FRONT	7444	108644	1
2	WARP DRIVE HUB WDHPL3 914 BACK	7444	108645	1
3	PROP BLADE WARP DRIVE LH 68IND 912 STND	7443	108635	3
4	BOLT AN4-20 a	5450	100006	12
5	WASHER AN4	5540	100042	24
6	NUT NYLOC AN4 FULL	5535	100034	12
7	PROP COVER WASHER PLATE ROTAX 912	7447	107648	1
8	WASHER AN5	5540	100043	6
9	BOLT 8.8 GR M8x75 DRILLED HEAD	5935	105352	6
10	TIE WIRE - 0.8D x 300L	6372	106266	3
11	WARP DRIVE PROTRACTOR	7448	108634	1
12	PROP BLADE TAPE WARP DRIVE KIT	7449	108646	1



NOTE:
SEE NOTES ON SHEET 1 REGARDING
COPRODUCT RECEIPT AND USE
1. INSTALLATION INSTRUCTIONS
2. INSTALLATION INSTRUCTIONS
3. INSTALLATION DRAWING.

PROP INSTALL WARP DRIVE LH 912 STND	
Drawn By Simon	Date 31-05-07
Scale 1:5	7439 SHEET 2 of 2

Rev	AMENDMENTS	Date

PART NO. 108618

LAST ACCESSED: Thursday, 19 July 2007
ALL DIMENSIONS IN MILLIMETERS UNLESS STATED OTHERWISE

21 CERTIFICATION KITS XT-912 BASE

- **Drawing # 6925**

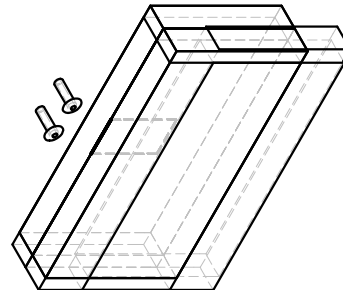
PART NO. 107743 - CERTIFICATION KIT XT-912 PRIMARY

ITEM NO.	NAME	DWG	PART NO.	QTY.
1	PLACARD ENGINE LIMITS METRIC XT912	5900	105705	1
2	PLACARD ENGINE LIMITS IMPERIAL XT912	5900	105704	1
3	PLACARD FLIGHT LIMITS XT	5900	105706	1
4	PLACARD PILOT HAND BOOK XT	5900	105707	1
5	PLACARD FUEL TANK CAPACITY XT	5900	105709	1
6	PLACARD OIL TANK CAPACITY MKII	5900	106648	1
7	PLACARD EMERGENCY PARACHUTE BRS	5900	106647	1
8	DATA PLATE EDGE XT-912-B PRIMARY	6903	106645	1
9	MANUAL COMPLETE XT-912 CRUZE POH	6935	107641	1
10	MANUAL COMPLETE XT-912 MM&IPC LSA&PRIM	6935	108472	1
11	POP RIVET 1/8"	5515	100162	2
12	MANUAL ROTAX ENGINE DATA PACK	6930	107736	1

PART NO. 107742 - CERTIFICATION KIT XT-912 SLSA

ITEM NO.	NAME	DWG	PART NO.	QTY.
1	PLACARD ENGINE LIMITS XT 912 MET LS	5900	107599	1
2	PLACARD ENGINE LIMITS XT 912 US LSA	5900	107600	1
3	PLACARD FLIGHT LIMITS XT LSA	5900	107596	1
4	PLACARD AIRCRAFT OPERATING INST BLK	5900	107592	1
5	PLACARD FUEL CAPACITY XT IMPERIAL	5900	107597	1
6	PLACARD OIL TANK CAPACITY XT 912 US	5900	107598	1
7	PLACARD PARACHUTE LSA	5900	107603	1
8	DATA PLATE EDGE XT-912-L LSA	6903	107566	1
9	MANUAL COMPLETE XT 912 CRUZE AOI	6935	107636	1
10	MANUAL COMPLETE XT 912 MM&IPC LSA&PRIM	6935	108472	1
11	POP RIVET 1/8"	5515	100162	2
12	MANUAL ROTAX ENGINE DATA PACK	6930	107736	1

NOTE:
THIS ASSEMBLY IS FOR ALL OF THE PARTS WHICH DEFINE THE XT-912 BASE SECTION AS EITHER PRIMARY OR SLSA CERTIFIED.



PART NO. SEE ABOVE

Rev	AMENDMENTS	Date
1	DCR 2234 - SLSA CERTIFICATION	13-04-06
2	COMMON LSA&PRIM MM&IPC	05-06-07
3	DCR 2315 - REARRANGE SEQ	19-07-07

LAST ACCESSED: Friday, 20 July 2007

19-07-07 ALL DIMENSIONS IN MILLIMETERS UNLESS STATED OTHERWISE

CERTIFICATION KITS XT-912

Drawn By	Scale	Date
Simon	NTS	13-04-06



6925
SHEET 1 of 1

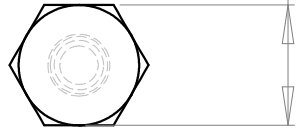
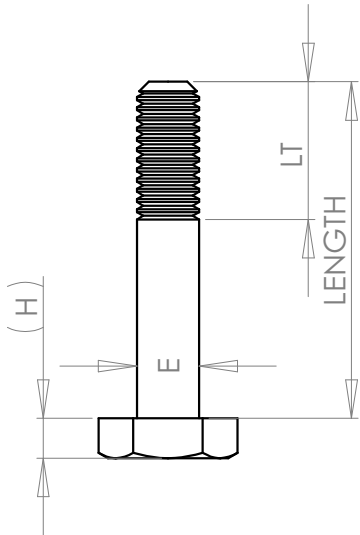
22 MISCELLANEOUS – NUTS AND BOLTS ETC

WARNING

THE PARTS WHICH ARE REPRESENTED IN THE FOLLOWING DRAWINGS ARE NOT NECESSARILY PART OF THIS AIRCRAFT. SOME PARTS WHICH ARE LISTED ARE COMPONENTS OF PARTS WHICH ARE NOT USER SERVICABLE. ONLY MAINTENANCE WHICH IS SPECIFIED IN THE MAINTENANCE MANUAL SHOULD BE ATTEMPTED AND ONLY THE EXACT SPARE SHOULD BE USED TO REPLACE PARTS. THE FOLLOWING DRAWINGS ARE PROVIDED AS A CONVIENIENCE TO AID IDENTIFICATION OF PARTS WHICH ARE USER MAINTAINABLE.

22.1 AN-3 Bolts	-	Drawing # 5449
22.2 AN-4 Bolts	-	Drawing # 5450
22.3 AN-5 Bolts	-	Drawing # 5493
22.4 AN-6 Bolts	-	Drawing # 5494
22.5 Metric Nuts	-	Drawing # 5495
22.6 UNF Nut Design Table	-	Drawing # 5506
22.7 Pop Rivets	-	Drawing # 5515
22.8 Roll Pins	-	Drawing # 5516
22.9 Socket Cap Screws UNF	-	Drawing # 5517
22.10 AN Wingnuts	-	Drawing # 5534
22.11 AN Nuts Full Nyloc	-	Drawing # 5535
22.12 Washers	-	Drawing # 5540
22.13 AN Nuts Half Nyloc	-	Drawing # 5561
22.14 Thimbles	-	Drawing # 5565
22.15 Socket Cap Screws Metric	-	Drawing # 5603
22.16 Metric Nuts Full Nyloc	-	Drawing # 5604
22.17 Cable Ties	-	Drawing # 5605
22.18 Metric Grub Screws	-	Drawing # 5631
22.19 Endcaps	-	Drawing # 5633
22.20 Glues and Sealants	-	Drawing # 5637
22.21 UNC Bolts	-	Drawing # 5660
22.22 Socket Cap Screws – Countersunk	-	Drawing # 5668
22.23 Socket Button Screws	-	Drawing # 5677
22.24 Spring Washers	-	Drawing # 5679
22.25 Split Rings	-	Drawing # 5720
22.26 Screws Self Tapping	-	Drawing # 5909
22.27 O-Rings	-	Drawing # 5932
22.28 Metric Bolts	-	Drawing # 5935
22.29 Axle Bolt Gremica Wheel	-	Drawing # 5962

DIMENSIONED TO ANSI B18.2.1-1981
STANDARD HEX AND HEAVY BOLTS
TABLE 2: PG# 1049 AND 1047
MACHINERYS HANDBOOK 22ND ED
INDUSTRIAL PRESS LTD, NEW YORK.



(9.36)
CHECK THIS DIMENSION)

Design Table for: AN3 hex bolt

PART NO.	NAME
102927	Bolt AN3-10 a
100050	Bolt AN3-12 a
100584	Bolt AN3-13 a
100735	Bolt AN3-15 a
101184	Bolt AN3-21 a
100558	Bolt AN3-23 a
100629	Bolt AN3-30 a

Rev	AMENDMENTS	Date

LAST ACCESSED: Monday, 9 July 2007
ALL DIMENSIONS IN MILLIMETERS UNLESS STATED OTHERWISE

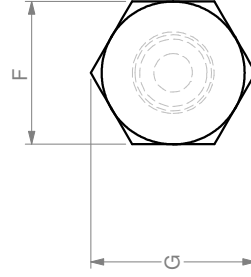
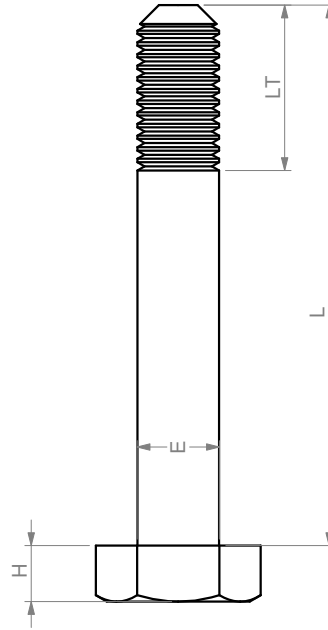
AN3 BOLT DESIGN TABLE

Drawn By Simon	Scale 2:1	Date 02/03/03
-------------------	--------------	------------------

Design Table for: hex bolt_an

PART NO.	NAME	LENGTH	DIA
100002	BOLT AN4-6	19.84	6.35
100001	BOLT AN4-7	23.02	6.35
100003	BOLT AN4-11a	29.37	6.35
100547	BOLT AN4-12 a	32.54	6.35
101333	BOLT AN4-13 a	35.72	6.35
100559	BOLT AN4-14 a	38.89	6.35
100967	BOLT AN4-15 a	42.07	6.35
100004	BOLT AN4-16	45.24	6.35
105330	BOLT AN4-20	51.59	6.35
100006	BOLT AN4-20 a	51.59	6.35
100549	BOLT AN4-22 a	57.94	6.35
100587	BOLT AN4-24 a	64.29	6.35
100009	BOLT AN4-26 a	70.64	6.35
100010	BOLT AN4-27 a	73.82	6.35
100011	BOLT AN4-30 a	76.99	6.35
100631	BOLT AN4-31	80.17	6.35
100012	BOLT AN4-32 a	83.34	6.35
101363	BOLT AN4-33 a	86.52	6.35
100850	BOLT AN4-34a	89.69	6.35
100013	BOLT AN4-35 a	92.87	6.35
100014	BOLT AN4-36 a	96.04	6.35
100713	BOLT AN4-40 a	102.39	6.35
102273	BOLT AN4-41 a	105.57	6.35
103668	BOLT AN4-42 a	108.74	6.35

DIMENSIONED TO ANSI B18.2.1-1981
STANDARD HEX AND HEAVY BOLTS
TABLE 2, PG# 1049 AND 1047
MACHINERERY'S HANDBOOK 22ND ED
INDUSTRIAL PRESS LTD, NEW YORK.



Rev	AMENDMENTS	Date

ALL DIMENSIONS IN MILLIMETERS UNLESS STATED OTHERWISE

AN4 BOLT - DESIGN TABLE

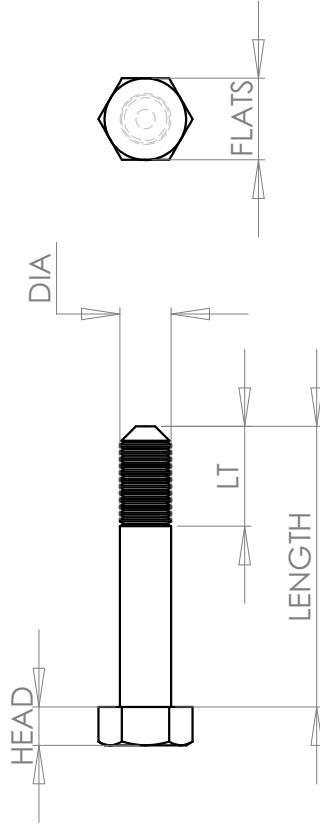
Drawn By	Scale	Date
Simon	2:1	21/03/03

Design Table for: AN5 hex bolt_an

PART NO.	NAME	LENGTH	DIA
102743	BOLT AN5-11	30.96	7.9375
100015	BOLT AN5-15 a	43.66	7.9375
100553	BOLT AN5-16 a	46.83	7.9375
103296	BOLT AN5-17	50.01	7.9375
101244	BOLT AN5-17 a	50.01	7.9375
100016	BOLT AN5-20 a	53.18	7.9375
100819	BOLT AN5-21 a	56.36	7.9375
100017	BOLT AN5-22 a	59.53	7.9375
100018	BOLT AN5-24A	65.88	7.9375
100019	BOLT AN5-25 a	69.06	7.9375
100588	BOLT AN5-26	72.23	7.9375
104713	BOLT AN5-26 a	72.23	7.9375
100020	BOLT AN5-27 a	75.41	7.9375
100021	BOLT AN5-30 a	78.58	7.9375
100022	BOLT AN5-31 a	81.76	7.9375
100023	BOLT AN5-32 a	84.93	7.9375
100024	BOLT AN5-33	88.11	7.9375
100025	BOLT AN5-34 a	91.28	7.9375
106618	BOLT AN5-36	97.63	7.9375
100026	BOLT AN5-36 a	97.63	7.9375
100027	BOLT AN5-37	100.81	7.9375
100028	BOLT AN5-40 a	103.98	7.9375
100965	BOLT AN5-41 a	107.16	7.9375
104500	BOLT AN5-46	123.03	7.9375
100029	BOLT AN5-46 a	123.03	7.9375
100960	BOLT AN5-53 a	138.91	7.9375
100420	BOLT AN5-56 a	148.43	7.9375

X

DIMENSIONED TO ANSI B18.2.1-1981
STANDARD HEX AND HEAVY BOLTS
TABLE 2, PG# 1049 AND 1047
MACHINERY'S HANDBOOK 22ND ED
INDUSTRIAL PRESS LTD, NEW YORK.



PARTS WITH AN X BESIDE MAY NOT BE STOCKED BY AIRBORNE.
THIS TABLE DOES NOT INCLUDE ALL PARTS THAT HAVE BEEN
MADE OBSOLETE. CHECK FOR EXISTING OBSOLETE PARTS PRIOR TO
ALLOCATING NEW PART NUMBERS.

Rev	AMENDMENTS	Date
1	NAME CHANGED TO MATCH FP	19/10/04
1	AN5-24A BOLT ADDED DCR 2243	27/04/06

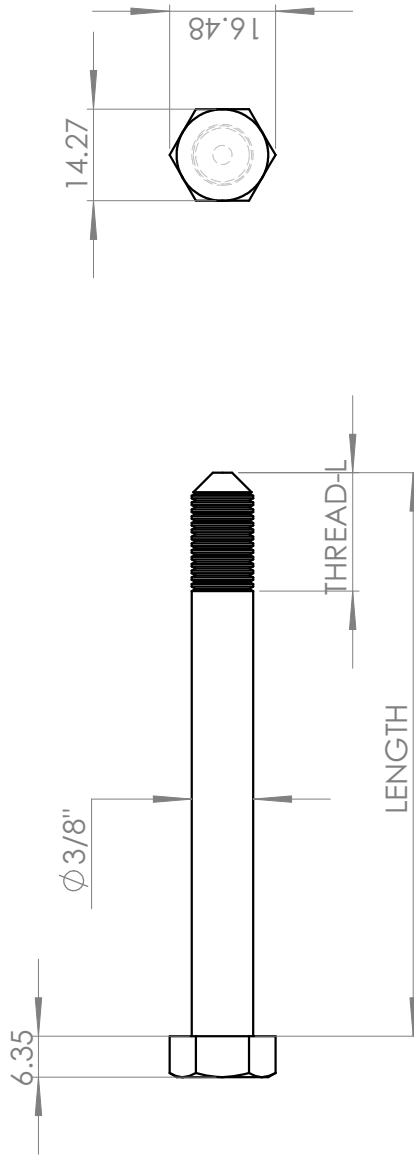
LAST ACCESSED: Monday, 9 July 2007
ALL DIMENSIONS IN MILLIMETERS UNLESS STATED OTHERWISE

AN-5 BOLT DESIGN TABLE

Drawn By Simon	Scale 1:1	Date 02/03/03	5493 SHEET 1 of 1
-------------------	--------------	------------------	----------------------

Design Table for: hex bolt_an

PART NO.	NAME	DWG	FLATS	LENGTH	DIA
102316	BOLT AN6-33 ε	5494	14.2748	87.71	9.525
100851	BOLT AN6-34	5494	14.2748	90.88	9.525
106347	BOLT AN6-35	5494	14.2748	94.06	9.525
100032	BOLT AN6-36	5494	14.2748	97.23	9.525
100033	BOLT AN6-41	5494	14.2748	106.76	9.525



DIMENSIONED TO ANSI B18.2.1-1981
STANDARD HEX AND HEAVY BOLTS
TABLE 2, PG# 1049 AND 1047
MACHINERY'S HANDBOOK 22ND ED
INDUSTRIAL PRESS LTD, NEW YORK.

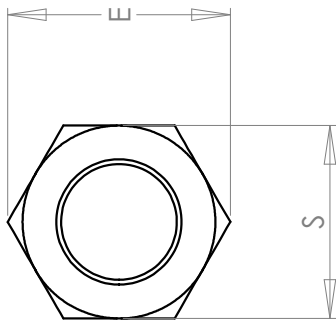
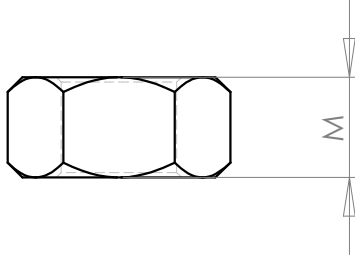
Rev	AMENDMENTS	Date
1	CHANGED NAME AN6-36, DCR 2047	26-10-04

LAST ACCESSED: Monday, 9 July 2007

ALL DIMENSIONS IN MILLIMETERS UNLESS STATED OTHERWISE

AN-6 BOLT DESIGN TABLE

Drawn By	Scale	Date
Simon	1:1	02/03/03



MODELLED TO AMERICAN NATIONAL STANDARD METRIC HEX NUTS STYLE 1 PG # 1092 MACH. H/B TABLE 25. EXCEPT THE M10 ROTAX NUT WHICH IS A CUSTOM ROTAX NUT, MODELLED FROM THE PART.

Design Table for: 5495

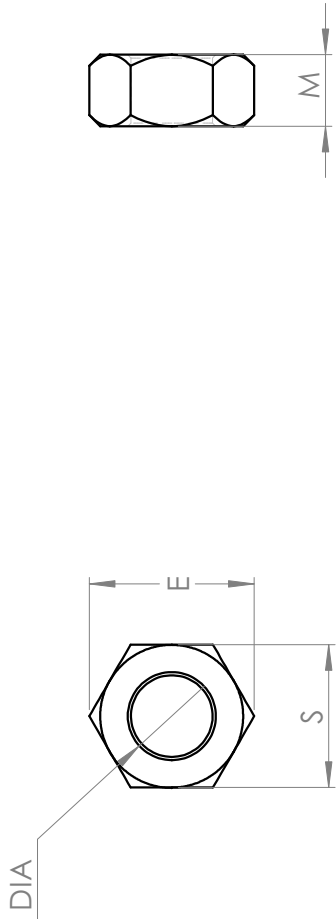
PART NO	NAME
100796	NUT M6 - BLK
100094	NUT M8
104815	NUT M10 ROTAX
104575	NUT M6 SS 316
107747	NUT M12 FINE GREMICA
103190	BRAKE CABLE NUT GREMICA

GREMICA NUTS PURCHASED AS PART OF AIRBORNE PART NO 102931 SEE A4-6937

METRIC NUT - DESIGN TABLE		
Drawn By Simon	Scale 3:1	Date 02/03/03
		5495 SHEET 1 of 1

LAST ACCESSED: Monday, 9 July 2007
ALL DIMENSIONS IN MILLIMETERS UNLESS STATED OTHERWISE

Rev	AMENDMENTS	Date
1	DCR 2026; DESIGN TABLE EMBEDDED, NAMES CHANGED	19/10/04
2	DCR 2242 GREMICA NUTS ADDED	20/04/06



Design Table for: 5506

PART NO	NAME
101372	NUT UNF BLACK 1-4"
105099	NUT UNF BLACK 5-8"
103157	NUT UNF ZINC 1-4"
105444	NUT NYLOC UNF 5-8"

102802 NUT UNF ZINC 1/4" P/N OBSOLETE

MODELLED TO AMERICAN NATIONAL STANDARD AND UNIFIED STD HEX NUTS PG # 1054 MACH. H/B TABLE 6. (NON HEAVY TABLE)

Rev	AMENDMENTS	Date
1	5/8" UNF NYLOC ADDED	20/05/03

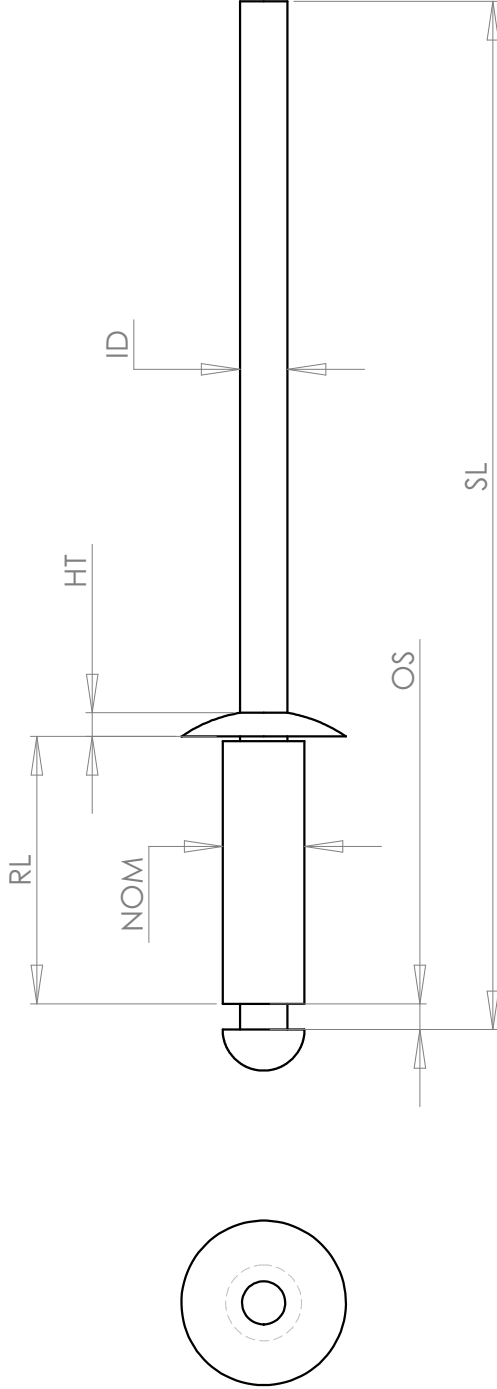
LAST ACCESSED: Monday, 9 July 2007
ALL DIMENSIONS IN MILLIMETERS UNLESS STATED OTHERWISE

UNF NUT DESIGN TABLE

Drawn By	Scale	Date
Simon	2:1	02/03/03

AirBorne
AUSTRALIA

5506
SHEET 1 of 1



Rivet dimensions taken from real rivets, not theoretical data, and hence may not be dimensionally accurate

MODEL CURRENTLY IS NOT DESIGN TABLE DRIVEN TABLE WILL NOT BE AUTOMATICALLY UPDATED WITH ANY CHANGES.

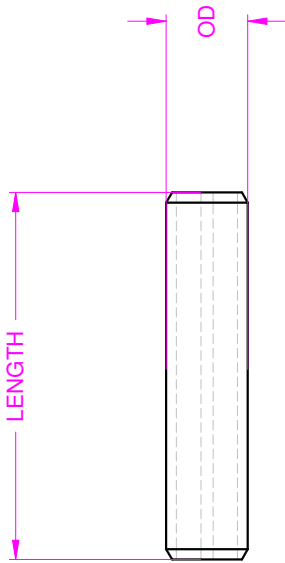
PART #	NAME
100162	POP RIVET 1/8"
100160	POP RIVET 3/16" SHORT (6-4)
104724	POP RIVET 3/16" X 10mm FLANGED
103698	POP RIVET 3/16" X 21mm FLANGED
102417	POP RIVET 5/32" LONG (5-8)
100161	POP RIVET 5/32" MED (5-5)
102418	POP RIVET 5/32" SHORT (5-3)
102205	POP RIVET SS 3/16"
102795	POP RIVET SS 5/32" SHORT (5-2)

Rev	AMENDMENTS	Date

LAST ACCESSED: Monday, 9 July 2007
ALL DIMENSIONS IN MILLIMETERS UNLESS STATED OTHERWISE

POP RIVET - DESIGN TABLE

Drawn By	Scale	Date
Simon	4:1	02/03/03



DESIGN TABLE 5516

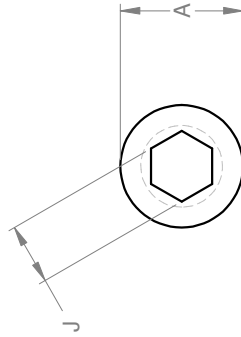
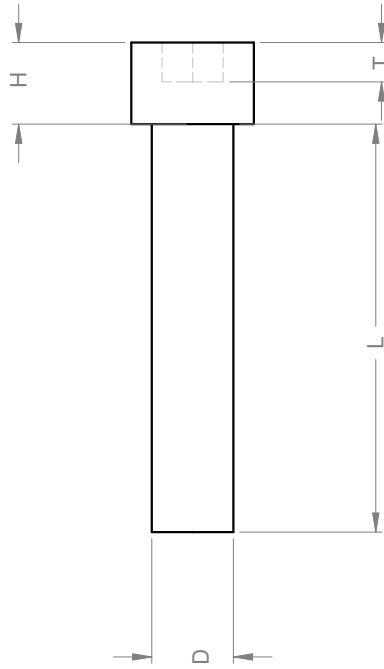
PART #	NAME	LENGTH	DIA
102356	ROLL PIN 1-4" X 1 1-8"	28.575	6.35
103880	ROLL PIN 1-4" X 3"	76.2	6.35
102713	ROLL PIN 3-32" X 1-2" SS	12.7	2.38125
104961	ROLL PIN 5-16" X 3 1-2"	88.9	7.9375
101983	ROLL PIN 5-16" X 7-8"	22.225	7.9375

THESE PARTS WERE MODELLED FROM REAL PARTS

ROLL PIN DESIGN TABLE

Drawn By Simon	Scale 2:1	Date 02/03/03		5516 SHEET 1 of 1
LAST ACCESSED: Monday, 9 July 2007 ALL DIMENSIONS IN MILLIMETERS UNLESS STATED OTHERWISE				

Rev	AMENDMENTS	Date



DIMENSIONED TO ANSI B18.3-1982
 AMERICAN NATIONAL STANDARD HEX
 AND SPLINE HEAD CAP SCREWS
 (1960 SERIES)
 TABLE 1. PG# 1151
 MACHINERYS HANDBOOK 22ND ED
 INDUSTRIAL PRESS LTD, NEW YORK.

Design Table for: 5517

PART #	NAME
104569	SKT CAP SCREW UNF 1 1-4" X 1/4
101371	SKT CAP SCREW UNF 1-4" X 3/4

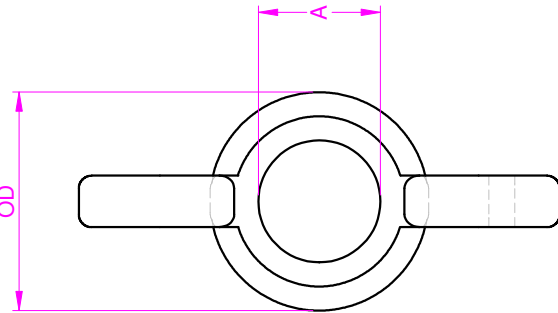
Rev	AMENDMENTS	Date

LAST ACCESSED: Monday, 9 July 2007
 ALL DIMENSIONS IN MILLIMETERS UNLESS STATED OTHERWISE

SKT CAP SCREW UNF - DESIGN TABLE

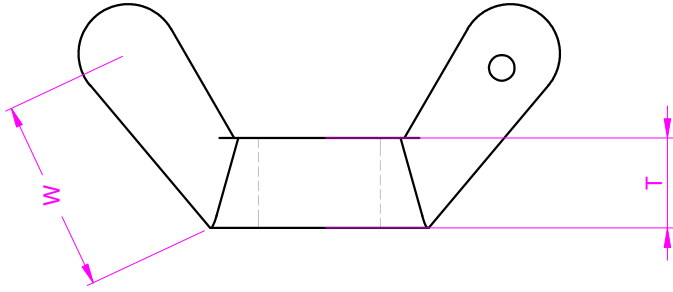
Drawn By Simon	Scale 2:1	Date 02/03/03	5517 SHEET 1 of 1
-------------------	--------------	------------------	----------------------





Design Table for: 5534

PART NO.	NAME
101065	WINGNUT AN6
102454	WINGNUT AN5
102472	WINGNUT AN4

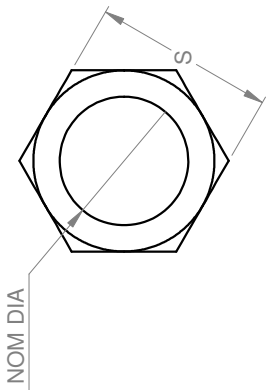
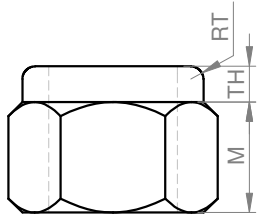


THESE WINGNUTS ARE MODELLED FROM THE EXISTING PARTS, AND MAY NOT BE FULLY DIMENSIONALLY ACCURATE.

AN WINGNUT DESIGN TABLE	
Drawn By Simon	Date 29/04/03
Scale 2:1	Date 29/04/03
5534 SHEET of	

Rev	AMENDMENTS	Date	PART NO.

LAST ACCESSED: Monday, 9 July 2007
ALL DIMENSIONS IN MILLIMETERS UNLESS STATED OTHERWISE



PART NO.	NAME
100051	NUT NYLOC AN3 FULL
100034	NUT NYLOC AN4 FULL
100036	NUT NYLOC AN5 FULL
100038	NUT NYLOC AN6 FULL
101174	NUT NYLOC UNC 1-2" FULL
101822	NUT NYLOC BSW 1-4" FULL

THESE NUTS ARE MODELLED FROM THE EXISTING PARTS, AND MAY NOT BE FULLY DIMENSIONALLY ACCURATE.

AN NUTS FULL NYLOC DESIGN TABLE			
Drawn By	Scale	Date	
Simon	2:1	02/03/03	
			5535 SHEET of

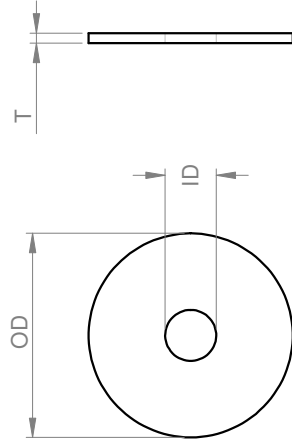


Rev	AMENDMENTS	Date	PART NO.

LAST ACCESSED: Monday, 9 July 2007
ALL DIMENSIONS IN MILLIMETERS UNLESS STATED OTHERWISE

Design Table for: 5540

PART NO.	NAME	OD	ID	T
100093	WASHER SS 1-2 X 1" 304 FLAT	1"	1/2"	1/16"
101455	WASHER SS 1-4 X 1"	1"	1/4"	1/16"
102018	WASHER SS 1-4 X 3-4"	3/8"	1/4"	1/16"
101883	WASHER SS 1-8 X 3-8"	5/16"	1/8"	1/28"
101369	WASHER SS 1-8 X 5-16"	21	10	1/28"
103458	WASHER SS 10 X 21mm	1/2"	13/64"	1.2
100569	WASHER SS 3-16 X 1-2"	3/4"	13/64"	1/28"
102368	WASHER SS 3-16 X 3-4"	7/16"	13/64"	1/28"
100055	WASHER SS 3-16 X 7-16" 304 FLAT	3/2"	3/8"	1/16"
102470	WASHER SS 3-8 X 1 1-2"	3/4"	3/8"	1/19"
100924	WASHER SS 3-8 X 3-4"	1"	5/16"	1/16"
100714	WASHER SS 5-16 X 1" X 16g	5/4"	5/16"	1/16"
100045	WASHER SS 5-16 X 1 1-4" 304 FLAT	3/4"	5/16"	1/19"
102332	WASHER SS 5-16 X 3-4"	9/8"	7/16"	1/16"
102099	WASHER SS 7-16 X 1 1-8" 304	9	4	0.8
102090	WASHER SS M4 STD	11	5	1.6
100049	WASHER AN3	12.6	6.8	1.6
100042	WASHER AN4	12.6	6.8	0.8
106766	WASHER AN4 THIN (BOLLY)	14.2	8.4	1.6
100043	WASHER AN5	15.1	9.9	1.6
100044	WASHER AN6	14.6	8.25	1.6
106768	WASHER M8 (BOLLY)	24	13.3	2.4
100611	WASHER NYLON M12 STD	21.8	10.5	2.4
100619	WASHER NYLON M10 STD	18.2	8.7	2
100595	WASHER NYLON M8 STD	23.8	8.7	2
100820	WASHER NYLON M8 XOD	18	6.7	1.6
101055	WASHER NYLON M6 XOD	25.4	13	1.4
102654	WASHER NYLON 1-2"	12.9	6.6	0.7
103961	WASHER NYLON 1-4" OBA THIN	11.9	6.6	1.6
102424	WASHER NYLON 1-4" OBA THICK	31.75	11.11	1.5
101387	WASHER BRIGHT 3-8" x 1 1-4"	31.75	9.53	1.5
103192	WASHER BRIGHT 5-16" x 1 1-4"	22.225	12.70	1.5
101296	WASHER BRIGHT 7-16" x 7-8"	22	7	0.4
100624	MYLAR WASHER 1-4" x 7-8"	22	12	2
103166	WASHER GREMICA WHEEL 22x12x2	12	6.3	1.4
103191	WASHER GREMICA BRAKE	20	10.7	1.9
105885	WASHER 912 10.7x20	11/16"	5/16"	1/32"
106400	WASHER RED FIBRE 5-16"X11-16"X1-32"	14	5/16"	1/32"
106619	WASHER RED FIBRE - CARBY HEAT	12	8	1
107252	WASHER COPPER 8X12X1			



MODELLED FROM BLACWOOD GROUP CATALOGUE PG # 140, 141, TABLES, AND MACH H/B PG # 356, ED 22. AN AND NYLON WASHERS MODELLED FROM THE EXISTING PARTS. AN4 THIN WASHER SUPPLIED BY BOLLY WITH PROPELLERS, PART 106766.

PART NO 10103166 AND 103191 WASHERS GREMICA ARE NORMALLY SUPPLIED AS A COPRODUCT OF PART NO102931 SEE A4-4597

← USE JIG - SKIM DOWN OUTSIDE DIAMETER

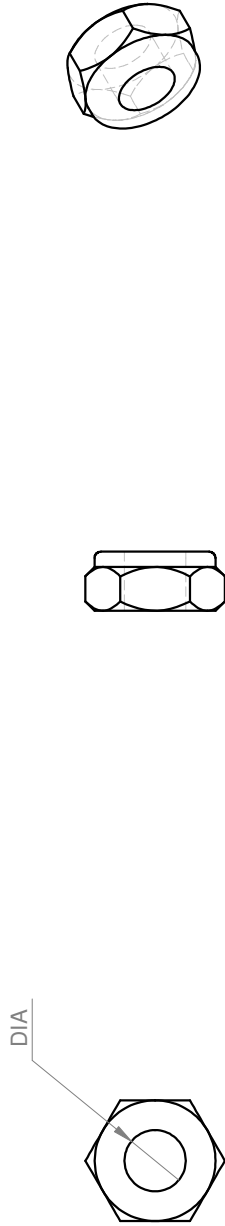
WASHER - DESIGN TABLE

Drawn By	Scale	Date	5540 SHEET of
Simon	1:1	02/03/03	

LAST ACCESSED: Monday, 9 July 2007
ALL DIMENSIONS IN MILLIMETERS UNLESS STATED OTHERWISE

PART NO.

Rev	AMENDMENTS	Date
1	GREMICA NOTE ADDED DCR 2242	20/04/06



THESE NUTS ARE MODELLED FROM THE EXISTING PARTS, AND MAY NOT BE FULLY DIMENSIONALLY ACCURATE.

Design Table for: 5561

PART NO	NAME
101334	NUT NYLOC AN3 HALF
100035	NUT NYLOC AN4 HALF
100037	NUT NYLOC AN5 HALF
100039	NUT NYLOC AN6 HALF

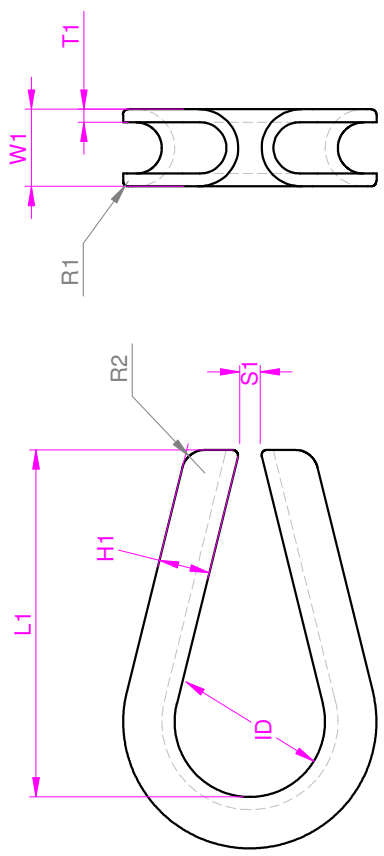
Rev	AMENDMENTS	Date	PART NO.

LAST ACCESSED: Monday, 9 July 2007
ALL DIMENSIONS IN MILLIMETERS UNLESS STATED OTHERWISE

AN NUTS HALF NYLOC - DESIGN TABLE

Drawn By Cris	Scale 2:1	Date 05/05/03	5561 SHEET 1 of 1
------------------	--------------	------------------	----------------------





MODELLED FROM THE EXISTING PARTS AND
MAY NOT BE DIMENSIONALLY ACCURATE

THE 1/16" THIMBLE STILL NEEDS TO BE MODELLED

Design Table for: 5565

PART NO	NAME
104264	THIMBLE (3-32") THIN
100176	THIMBLE 2.4mm (3-32")
100177	THIMBLE 3.2mm (1-8")
100178	THIMBLE 4.0mm(5-32")

Rev AMENDMENTS

Rev	AMENDMENTS	Date

THIMBLE DESIGN TABLE

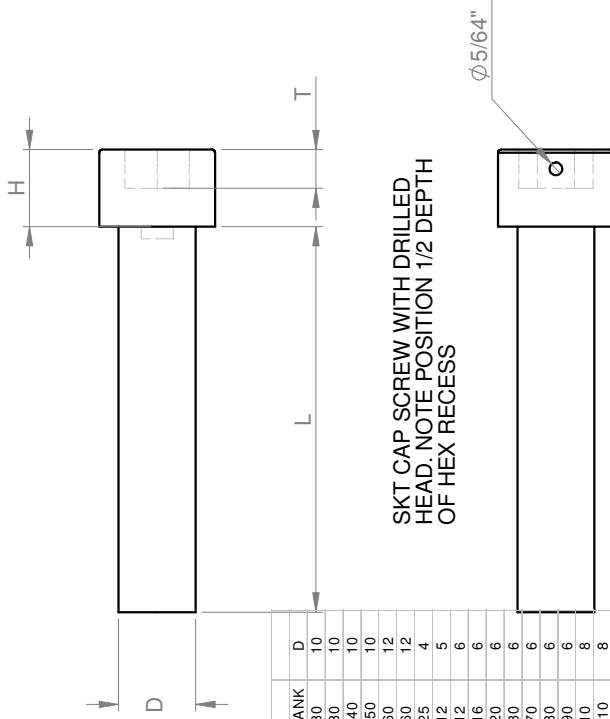
Drawn By	Scale	Date
Cris	2:1	06/05/03



5565
SHEET 1 of 1

PART NO. -
LAST ACCESSED: Monday, 9 July 2007
ALL DIMENSIONS IN MILLIMETERS UNLESS STATED OTHERWISE

DIMENSIONED TO ANSI B18.3-1982
 AMERICAN NATIONAL STANDARD HEX
 AND SPLINE HEAD CAP SCREWS
 (1960 SERIES)
 TABLE 19. PG# 1086
 MACHINERY'S HANDBOOK 22ND ED
 INDUSTRIAL PRESS LTD, NEW YORK.



SKT CAP SCREW WITH DRILLED
 HEAD. NOTE POSITION 1/2 DEPTH
 OF HEX RECESS

SEE ALSO T/C A4-4068,
 MODIFIED CAP SCREWS,
 WHICH INCLUDES
 PART #

- 104553 - BOLT STREAMLINE BOTTOM KNUCKLE
- 101745 - BOLT D/TUBE BOTTOM KNUCKLE
- 102290 - TOW ROD FIXING SCREW
- 101326 - BOLT M8 A/FRAME TOP
- 103358 - FUN A/FRAME TOP BOLT
- 102919 - DRAG LINK TYPE 2 FRONT MOUNT BOLT

PART NO.	NAME	MATERIAL	A	J	T	SHANK D	D
105328	SKT CAP SCREW M 10 X 30	N/A	16	8	5	30	10
105944	SKT CAP SCREW M 10 X 30 DRILLED	N/A	16	8	5	30	10
102469	SKT CAP SCREW M 10 X 140	N/A	16	8	5	140	10
102932	SKT CAP SCREW M 10 X 150	N/A	16	8	5	150	10
105329	SKT CAP SCREW M 12 X 60	N/A	18	10	6	60	12
106448	SKT CAP SCREW M 12 X 60 DRILLED	N/A	18	10	6	60	12
100923	SKT CAP SCREW SS M 4 X 25	N/A	7	3	2	25	4
106704	SKT CAP SCREW M 5 X 12	N/A	8.4	4	2.5	12	5
105884	SKT CAP SCREW M 6 X 12	N/A	10	5	3	12	6
103187	SKT CAP SCREW M 6 X 16	N/A	10	5	3	16	6
102327	SKT CAP SCREW M 6 X 20	N/A	10	5	3	20	6
107141	SKT CAP SCREW M 6 X 30 SS	N/A	10	5	3	30	6
100909	SKT CAP SCREW M 6 X 70	N/A	10	5	3	70	6
100614	SKT CAP SCREW M 6 X 80	N/A	10	5	3	80	6
100822	SKT CAP SCREW M 6 X 90	N/A	10	5	3	90	6
102929	SKT CAP SCREW M 8 X 10	N/A	13	7	4	10	8
101001	SKT CAP SCREW M 8 X 110	N/A	13	7	4	110	8
102920	SKT CAP SCREW M 8 X 120	N/A	13	7	4	120	8
101518	SKT CAP SCREW M 8 X 16	N/A	13	7	4	16	8
102331	SKT CAP SCREW M 8 X 20	N/A	13	7	4	20	8
100980	SKT CAP SCREW M 8 X 25	N/A	13	7	4	25	8
101519	SKT CAP SCREW M 8 X 40	N/A	13	7	4	40	8
106449	SKT CAP SCREW M 8 X 40 DRILLED	N/A	13	7	4	40	8
103359	SKT CAP SCREW M 8 X 75	N/A	13	7	4	75	8
104670	SKT CAP SCREW M 8 X 90	N/A	13	7	4	90	8
106322	SKT CAP SCREW SS M 4 X 8	N/A	7	3	2	8	4
102089	SKT CAP SCREW SS M 4 X 12	N/A	6.9	3	2	12	4
102453	*SKT CAP SCREW SS M 4 X 20	N/A	6.9	3	2	20	4
107060	SKT CAP SCREW SS M 6 X 30 ZINC	N/A	10	5	3	30	6
104556	SKT CAP SCREW SS M 6 X 50	N/A	10	5	3	50	6
101744	SKT CAP SCREW SS M 6 X 60	N/A	10	5	3	60	6
102032	SKT CAP SCREW SS M 8 X 8	N/A	13	7	4	8	8
105752	SKT CAP SCREW SS M 6 X 20	N/A	10	5	3	20	6
106306	SKT CAP SCREW SS M 6 X 50 - MODIFIED	N/A	10	5	3	50	6
107394	SKT CAP SCREW M 8 X 20 MODIFIED	N/A	13	7	4	20	8
107474	*SKT CAP SCREW SS M 4 X 20	N/A	6.9	3	2	16	4
108101	SKT CAP SCREW M 10 X 150 ZINC PLATED	SKT CAP SCREW M 10 X 102932	1	16	8	150	10
108176	SKT CAP SCREW M 8 X 120 ZINC PLATED	SKT CAP SCREW M 8 X 102920	1	13	7	120	8
108522	SKT CAP SCREW M 6 X 30 SS MODIFIED	SKT CAP SCREW M 6 X 30 107141	1	9.4	5	30	6

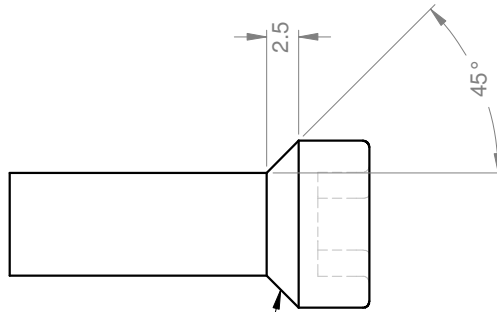
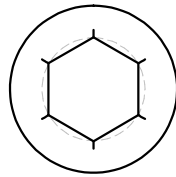
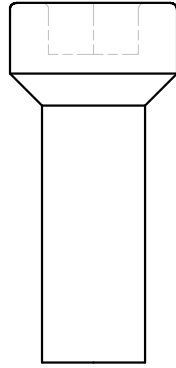
Rev	AMENDMENTS	Date
2	DCR 2180, ADD PART FOR 582XT	17-10-05
3	ADD PART 107474	09-12-05
4	DCR 2265, ADD 108101	09-10-06
5	DCR 2276, ADD 108176	31-10-06
6	ADD 108522	10-04-07

CAP SCREW FOR KINGPOST LOCATOR - TURN HEAD TO Ø8mm

SKT CAP SCREW METRIC - DESIGN TABLE

Drawn By	Scale	Date	5603 SHEET 1 of 2
Simon	1:1	08/05/03	

LAST ACCESSED: Monday, 9 July 2007
 ALL DIMENSIONS IN MILLIMETERS UNLESS STATED OTHERWISE



NOTE
 CHAMFER ADDED TO STANDARD BOLT ON LATHE,
 USED IN 582 EXHAUST MANIFOLDS WHERE
 STANDARD BOLT WILL NOT FIT.

MACHINE THIS FACE ONLY
 AT 45 DEG.

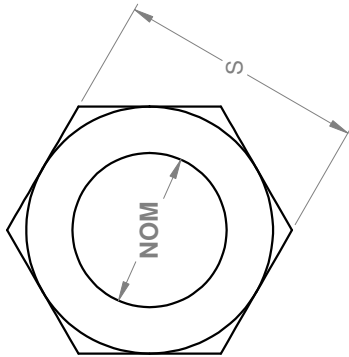
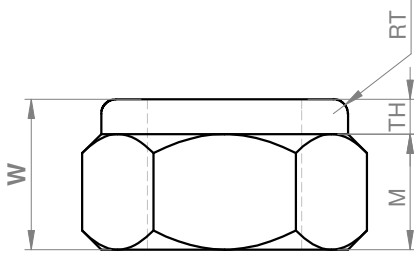
SKT CAP SCREW M 8 X 20 MODIFIED			
Drawn By	Scale	Date	5603
Simon	2:1	02/03/03	SHEET 2 of 2



PART NO. 107394

LAST ACCESSED: Monday, 9 July 2007
 ALL DIMENSIONS IN MILLIMETERS UNLESS STATED OTHERWISE

Rev	AMENDMENTS	Date



Design Table for: 5604

PART NO.	NAME	DWG	MAT	MAT NO.	REQD	NOM	W
104306	NUT NYLOC M 3 FULL SS	5604	N/A	N/A	N/A	3	3.7
100911	NUT NYLOC M 4 FULL	5604	N/A	N/A	N/A	4	4.6
101365	NUT NYLOC M 5 FULL	5604	N/A	N/A	N/A	5	4.8
102132	NUT NYLOC M 6 FULL	5604	N/A	N/A	N/A	6	5.8
106771	NUT NYLOC M 6 TURNED DOWN (THIN)	5604	NUT NYLOC M 6 FULL	102132	1	6	4.8
100915	NUT NYLOC M 8 FULL	5604	N/A	N/A	N/A	8	7.8
100802	NUT NYLOC M 10 FULL	5604	N/A	N/A	N/A	10	10
102928	NUT NYLOC M 12 FULL	5604	N/A	N/A	N/A	12	11.8
103612	NUT NYLOC M 12 FULL - FINE	5604	N/A	N/A	N/A	12	11.8

THESE NUTS ARE MODELLED FROM THE EXISTING PARTS, AND MAY NOT BE FULLY DIMENSIONALLY ACCURATE.

Rev		AMENDMENTS		PART NO. -	
Rev	AMENDMENTS	Date	Scale	Date	Sheet
			3:1	09/05/03	5604
					SHEET 1 of 1

METRIC NUTS FULL NYLOC - DESIGN TABLE





ITEM NO.	PART NO.	NAME	MATERIAL DESCRIPTION	WIDTH	LENGTH
1	101192	CABLE TIE SHORT	PLASTIC	3.6	98
2	101193	CABLE TIE MED	PLASTIC	3.6	140
3	101194	CABLE TIE LONG	PLASTIC		290
4	102419	CABLE TIE X-LONG	PLASTIC		360

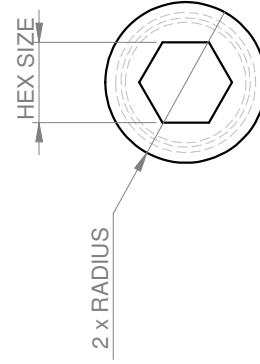
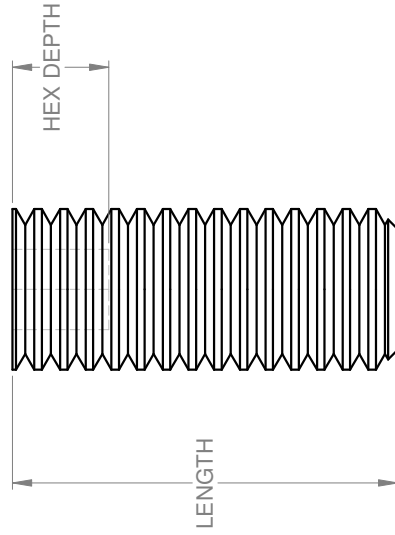
THERE IS NO DESIGN TABLE ASSOCIATED WITH THIS MODEL. ANY NEW PARTS MUST BE MANUALLY INCLUDED AND THIS DRAWING UPDATED, SEE 5605.XLS FOR PARTS

Rev	AMENDMENTS		Date
LAST ACCESSED: Monday, 9 July 2007 ALL DIMENSIONS IN MILLIMETERS UNLESS STATED OTHERWISE			
CABLE TIES		Drawn By	Date
		Cris	09/05/03
		Scale	1:1
		AirBorne AUSTRALIA	
		5605 SHEET 1 of 1	

Design Table for: 5631

	\$PARTNUMBER	\$PRP@NAME	Length@ Sketch1	Radius@ Sketch1	Hex Depth@ Base Hex Plane	Hex Size@Sketch2	End Chamfer@ Chamfer1	Thread Core Rad@Sketch3	Thread Start Point@Sketch3	Thread Pitch@LPattern1	No of Threads@ LPattern1
M8x8 SS	105400	Grub Screw M8x8 SS GR304	8	4	5	4	1	3.2332	0.625	1.25	7
M5x12 SS	105401	Grub Screw M5x12 SS GR304	12	2.5	3	2.5	0.625	2.0092	0.4	0.8	15

ABOVE DESIGN TABLE DATA IS NOT LINKED TO THE MODEL AND WILL NOT AUTOMATICALLY UPDATE.
DATA OBTAINED BY MEASUREMENT - THREAD DATA ISO METRIC



Rev AMENDMENTS

Date

PART NO. -

LAST ACCESSED: Monday, 9 July 2007

ALL DIMENSIONS IN MILLIMETERS UNLESS STATED OTHERWISE

METRIC GRUB SCREWS DESIGN TABLE

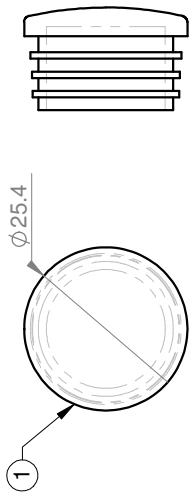
Drawn By MOLLO

Scale 5:1

Date 15/05/03

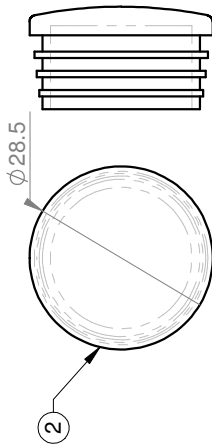
5631
SHEET 1 of 1

ITEM NO.	PART NO.	NAME	MATERIAL DESCRIPTION	MATL. NO.	REQD
1	103225	CAP ROUND TUBE CLOSURE 1IN	NA	NA	NA

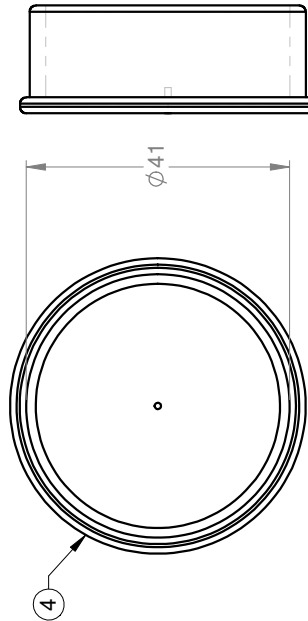


ITEM NO.	PART NO.	NAME	MATERIAL DESCRIPTION	MATL. NO.	REQD
3	101718	CAP ROUND TUBE CLOSURE 57MM	NA	NA	NA

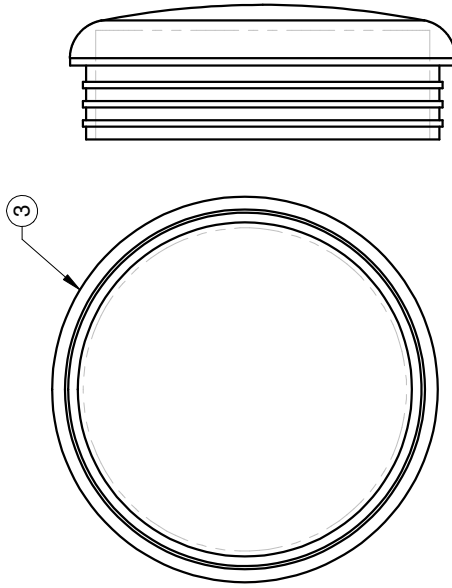
ITEM NO.	PART NO.	NAME	MATERIAL DESCRIPTION	MATL. NO.	REQD
2	103226	CAP ROUND TUBE CLOSURE 1-1/8IN	NA	NA	NA



ITEM NO.	PART NO.	NAME	MATERIAL DESCRIPTION	MATL. NO.	REQD
4	101729	CAP ENDCAP FOR 45mm TUBE	NA	NA	NA



THIS IS A BOUGHT NON STRUCTURAL COMPONENT THE MODEL IS NOT DIMENSIONALLY CORRECT.



Rev	AMENDMENTS	Date
1	NAMING CHANGE TO MATCH FP	20/10/04

LAST ACCESSED: Monday, 9 July 2007
ALL DIMENSIONS IN MILLIMETERS UNLESS STATED OTHERWISE

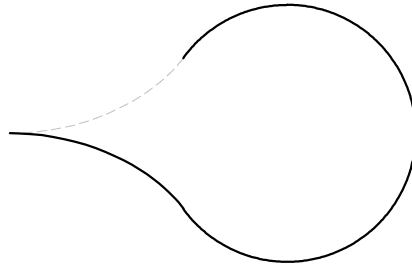
CAP ROUND TUBE CLOSURES

Drawn By	Scale	Date
Cris	1:1	14/05/03

PART NO.	NAME
105432	LOCTITE 222 Magenta Low Strength
103706	LOCTITE 243 Blue Med Strength
103723	LOCTITE 262 Red High Strength
103707	LOCTITE 406 Instant Adhesive
105433	LOCTITE 454 Instant Adhesive Gel
103705	LOCTITE 567 Thread Sealant
103708	LOCTITE 641 Bearing Lock
106432	DRI LUBE SOLID LUBE
104605	SOLDER RESIN CORE 1.6MM
106602	TAPE THREAD - WHITE (GENERAL)
106603	TAPE THREAD - YELLOW (GAS)
105721	SILICON INSTANT GASKET (SHELLEYS)
106730	RUST PROTECTANT ARP LIQUID
106817	HEAT TRANSFER PASTE
104035	PETROLEUM JELLY
107223	VALVE GRIND COMPOUND MEDIUM
107224	VALVE GRIND COMPOUND COARSE
107422	HAIR SPRAY
105472	LOCTITE 767 ANTI-SEIZE
104448	LOCTITE 7471 PRIMER
107734	LANOTEC GP-21

1 DROP = 10ml IN FOXPRO (ANTI-RUST ONLY)

1 DROP = 0.025 CAN IN FOXPRO (HAIR SPRAY ONLY)



NOTE:
FOR ALL LIQUIDS
1 DROP = 1ml IN FOXPRO

Rev	AMENDMENTS	Date

LAST ACCESSED: Friday, 20 April 2007
ALL DIMENSIONS IN MILLIMETERS UNLESS STATED OTHERWISE

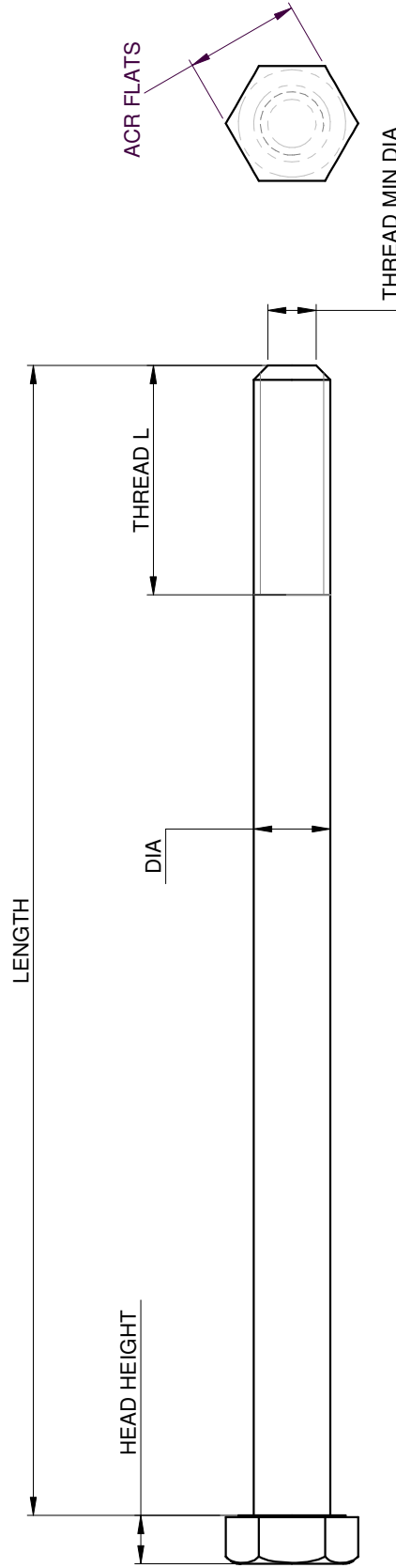
GLUES AND SEALANTS - DESIGN TABLE

Drawn By	Scale	Date	5637 SHEET 1 of 1
MOLLO	10:1	15/05/03	



Design Table for: hex bolt UNC

PART NO.	NAME	DWG	ACR FLATS	LENGTH	DIA	HEAD HEIGHT	THREAD L	THREAD MIN DIA
105326	UNC BOLT 1-2x7 1-2" BLK	5660	19	7.5*25.4	1/2*25.4	8	38	10.5



NOTE: THIS DESIGN TABLE IS NOT LINKED TO THE MODEL. ANY CHANGES MUST BE UPDATED MANUALLY

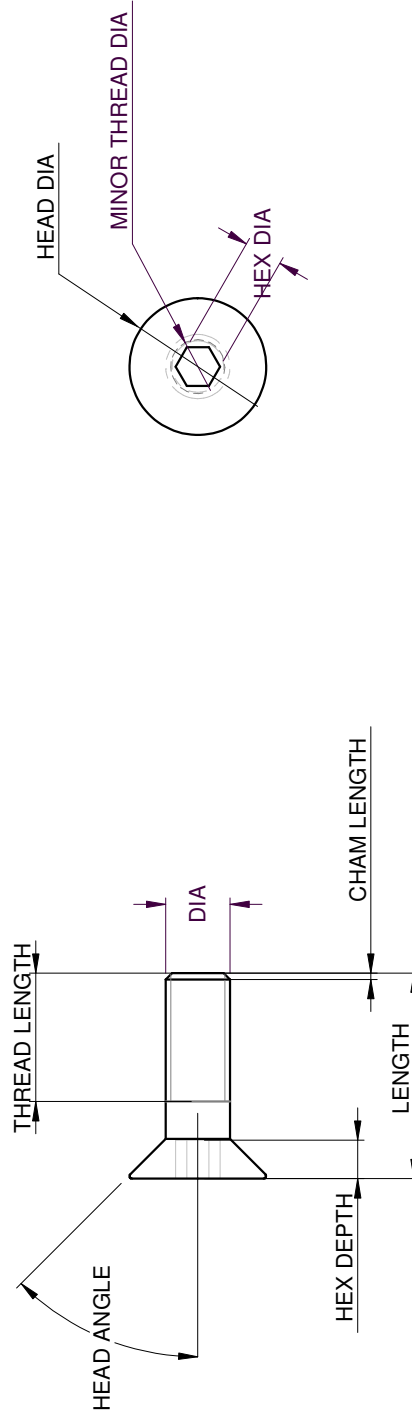
Rev		AMENDMENTS	
Rev	AMENDMENTS	Date	

LAST ACCESSED: Wednesday, 4 April 2007
ALL DIMENSIONS IN MILLIMETERS UNLESS STATED OTHERWISE

UNC BOLTS - DESIGN TABLE			
Drawn By	Scale	Date	
Cris	1:1	03/06/03	5660

AirBorne AUSTRALIA
SHEET 1 of 1

PART NO.	NAME	DIA	HEAD DIA	HEAD °	LENGTH
106344	SKT CSK SCREW M5x16 SS	5	11.2	45	16
105453	SKT CSK SCREW M6x45	6	13.44	45	45
101823	SKT CSK SCREW BSW 2.5x0.25"	6.35	11.4	45	2.5*25.4
105997	SKT CSK SCREW BSW 1-4" MOD 58L	6.35	11.4	45	58
106319	SKT CSK SCREW BSW 1-4" MOD 47L	6.35	11.4	45	47
102062	SKT CSK SCREW UNF 1-4" x 1"	6.35	12.5	40	25.4
106275	SKT CSK SCREW M6x16 SS	6	13.44	45	16



Rev	AMENDMENTS	Date
1	UPDATED AND REMOVED PARTS WITH NO PART NUMBERS IN THE SYSTEM	04-06-04

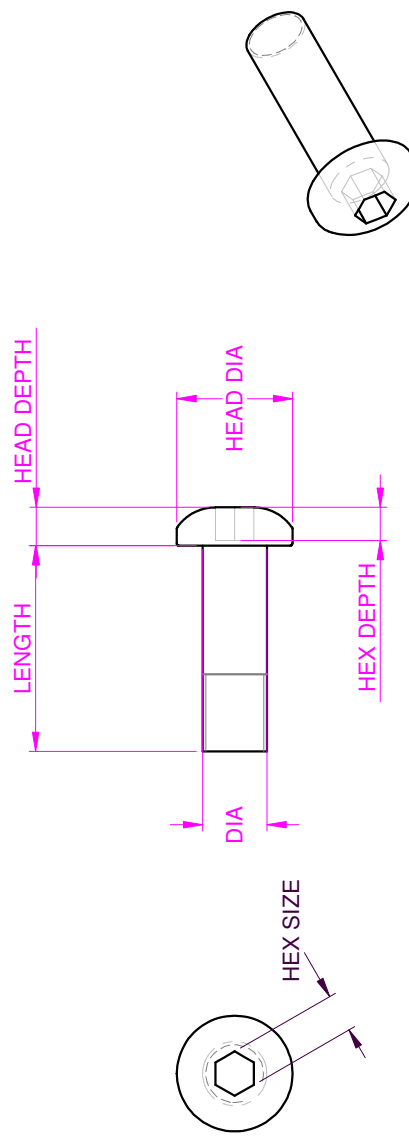
LAST ACCESSED: Monday, 9 July 2007
 ALL DIMENSIONS IN MILLIMETERS UNLESS STATED OTHERWISE

SKT CAP SCREW COUNTERSINK - DESIGN TABLE

Drawn By	Scale	Date	5668 SHEET 1 of 1
Cris	2:1	22/05/03	

Design Table for: 5677

PART NO.	NAME	MATERIAL	MAT. NO.	REQD	DIA	HEAD DIA	LENGTH	HEAD DEPT	HEX SIZE	HEX DEPTH
xx	SKT BUTTON SCREW M3 x 10	N/A	N/A	N/A	3	5.7	10	2	2	1.75
xx	SKT BUTTON SCREW M4 x 8	N/A	N/A	N/A	4	7.6	8	2.5	2.5	2
106172	SKT BUTTON SCREW M5 x 10	N/A	N/A	N/A	5	9	10	3	3	2.5
103182	SKT BUTTON SCREW M5 x 16	N/A	N/A	N/A	5	9	16	3	3	2.6
101752	SKT BUTTON SCREW M6 x 16	N/A	N/A	N/A	6	10.2	16	3	4	3
106621	SKT BUTTON SCREW M6 x 16 mod 13.4 SKT BUTTON SCREW M6 x 16	N/A	101752	1	6	10.2	13.4	3	4	3
XXX	SKT BUTTON SCREW M6 x 40				6	10.2	40	3	4	3
XXX	SKT BUTTON SCREW M6 x 50				6	10.2	50	3	4	3
xx	SKT BUTTON SCREW M6 x 30	N/A	NA	NA	6	10.2	30	3	4	3
106620	SKT BUTTON SCREW M8 x 7	N/A	106401	1	8	13.4	7	4	5	3
106401	SKT BUTTON SCREW M8 x 12 S304	N/A	N/A	N/A	8	13.4	12	4	5	3



PARTS WITH XX BESIDE THEM ARE NOT STOCKED BY AIRBORNE

Rev		AMENDMENTS		Date	

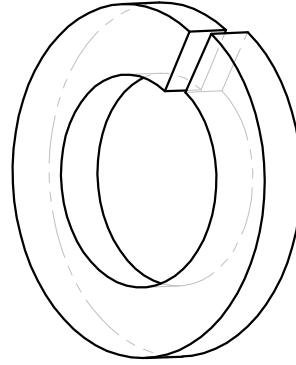
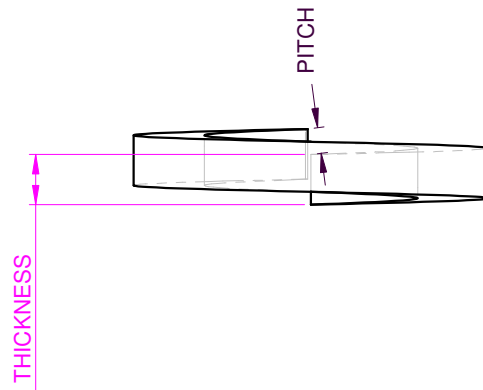
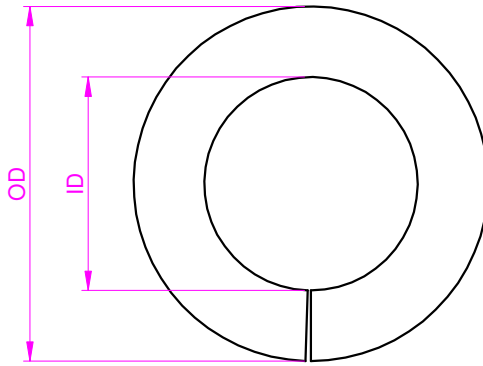
LAST ACCESSED: Monday, 9 July 2007
ALL DIMENSIONS IN MILLIMETERS UNLESS STATED OTHERWISE

Drawn By	Scale	Date	5677 SHEET 1 of 1
Cris	2:1	23/05/03	

SKT HEAD BUTTON SCREWS - DESIGN TABLE

Design Table for: 5679

PART NO.	NAME
102935	*SPRING WASHER 1-4" ZINC
101366	SPRING WASHER 8 mm ZINC
104582	SPRING WASHER 6 mm ZINC
100600	SPRING WASHER 5-8"
103143	SPRING WASHER 3-8"
101367	SPRING WASHER 3-16"



NOTE:
WASHERS ARE FOR SW ASSEMBLY PURPOSES ONLY, MAY NOT BE DIMENSIONALLY ACURATE

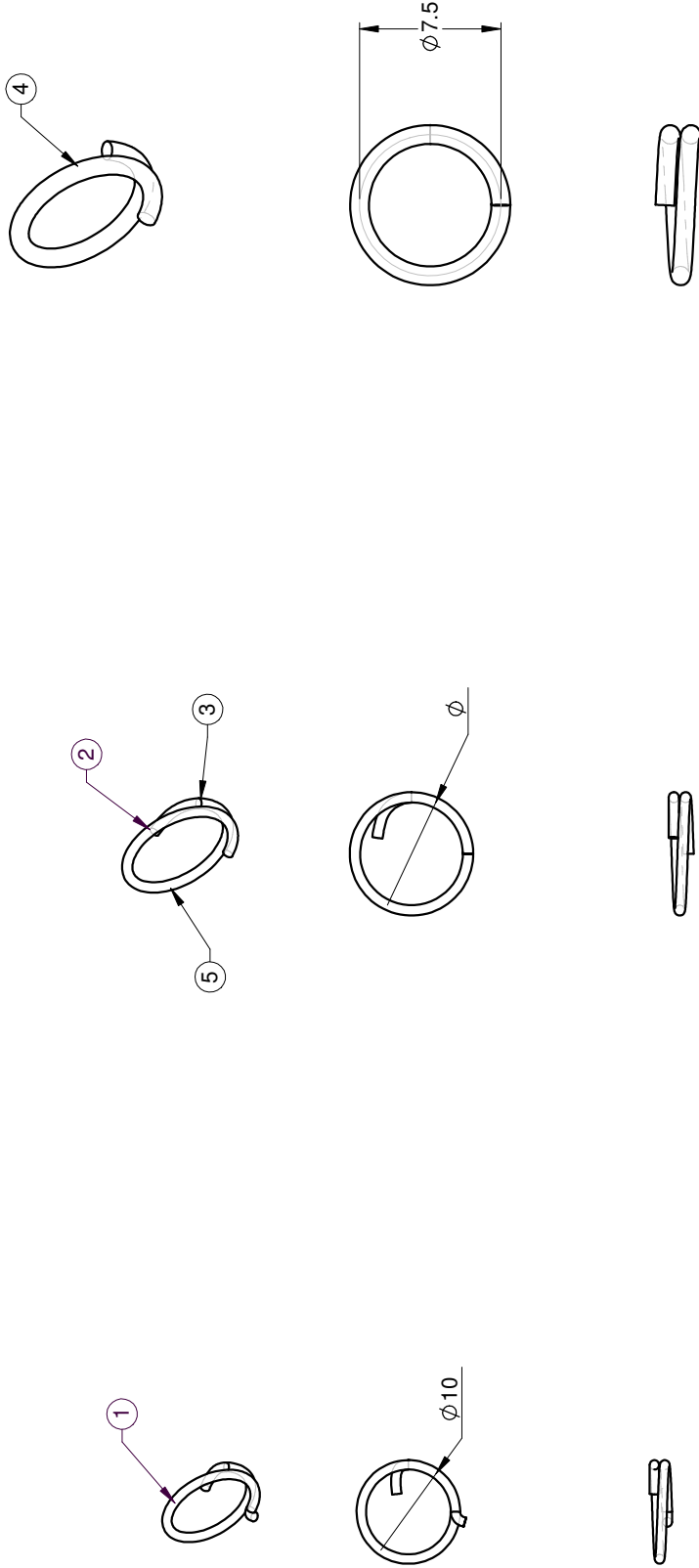
SPRING WASHERS - DESIGN TABLE			
Drawn By	Scale	Date	5679 SHEET 1 of 1
Cris	2:1	23/05/03	

LAST ACCESSED: Monday, 9 July 2007
ALL DIMENSIONS IN MILLIMETERS UNLESS STATED OTHERWISE

Rev	AMENDMENTS	Date
1	101366 CHANGED FROM 5/16"	30/07/03
2	1/4" OBSOLETE, NOW 6mm	18/10/04

NOTE: BOM IS NOT LINKED TO PARTS
SEE 5720.XLS SHEET FOR PARTS LIST

ITEM NO.	PART NO.	NAME	MATERIAL
1	105508	SPLIT RING 10mm - PIP PIN	SS
2	100950	SPLIT RING 12mm - RF114	SS
3	100955	SPLIT RING 22mm - RF687	SS
4	104967	SPLIT RING 7.5mm - SBR 1011	SS
5	106707	SPLIT RING 25mm - BPS RELEASE SAFETY	SS



Rev	AMENDMENTS	Date
1	ADDED 104967, SUPERCEDED 6472	02-06-04

LAST ACCESSED: Thursday, 17 May 2007
ALL DIMENSIONS IN MILLIMETERS UNLESS STATED OTHERWISE

LOCKING RINGS - DESIGN TABLE

Drawn By	Scale	Date
Cris	1.5:1	06/06/03



5720
SHEET 1 of 1

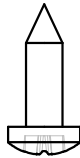
Design Table for: 5910

PART NO.

105703
104188
105140

NAME

SCREW SELF-TAPPING 1-2x6g 304SS
SCREW SELF-TAPPING 1-2x6g 304SS
SCREW SELF-TAPPING 1-4x8g 304SS



Rev	AMENDMENTS	Date

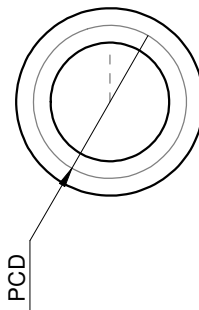
LAST ACCESSED: Thursday, 24 November 2005
ALL DIMENSIONS IN MILLIMETERS UNLESS STATED OTHERWISE

Drawn By	Scale	Date
Cris	2:1	24/07/03

SCREWS SELF TAPPING - DESIGN TABLE

AirBorne
AUSTRALIA

5909
SHEET 1 of 1



PART NO	NAME	DWG	DIA	PCD
105488	O-RING DRAIN COCK CAV-160	5932	1/16"	13/64"
100906	O-RING CYL HEAD #831790	5932		
103181	O-RING FUEL TANK	5932	9/64"	5/8"
100846	O-RING G-BOX 850360	5932		
100847	O-RING G-BOX 850430	5932		
102391	O-RING RUBBER M20x5	5932		

THIS DESIGN TABLE IS NOT LINKED TO THE MODEL
ANY CHANGES MUST BE UPDATED MANUALLY

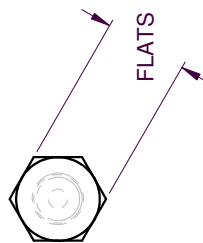
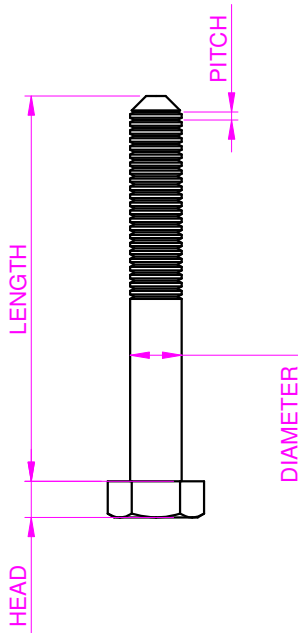
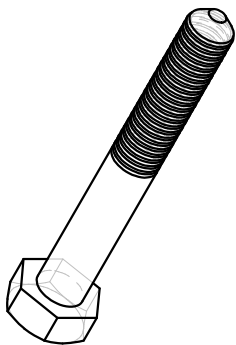
Rev		AMENDMENTS		Date	

LAST ACCESSED: Monday, 9 July 2007
ALL DIMENSIONS IN MILLIMETERS UNLESS STATED OTHERWISE

O-RING - DESIGN TABLE			
Drawn By	Scale	Date	5932
Cris	1.5:1	30/07/03	SHEET 1 of 1

Design Table for: METRIC BOLTS

PART NO.	NAME	LENGTH	DIA
103915	BOLT 4.6 GR M8x60 ZINC	60	8
103852	BOLT 4.6 GR M8x80 ZINC	80	8
103916	BOLT 4.6 GR M8x100 ZINC	100	8
102902	BOLT 8.8 GR M12x220	220	12
103074	BOLT 8.8 GR M8x12	12	8
103199	BOLT 8.8 GR M8x15	15	8
102463	BOLT 8.8 GR M8x70	70	8
103255	BOLT 8.8 GR M8x75	75	8
105352	BOLT 8.8 GR M8x75 DRILLED HEAD	75	8
100908	BOLT 8.8 GR M8x80	80	8
103254	BOLT 8.8 GR M8x90 GLD PASSIV	90	8
102464	BOLT 8.8 GR M8x100	100	8
100327	BOLT 8.8 GR M8x120	120	8
103111	BOLT 8.8 GR M8x150	150	8
101851	BOLT M5x20	20	5
107836	BOLT 8.8 GR M8x90 BLK	90	8



Rev	AMENDMENTS	Date
1	M8x110 (#104735) DELETED - DCR 2025/20/10/04	

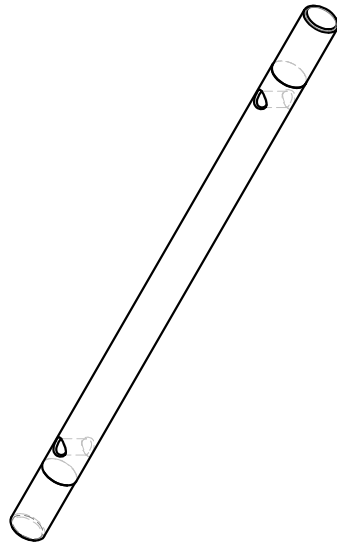
Drawn By	Scale	Date
Cris	1:1	30/07/03

METRIC BOLTS - DESIGN TABLE	
	5935 SHEET 1 of 1

LAST ACCESSED: Monday, 9 July 2007

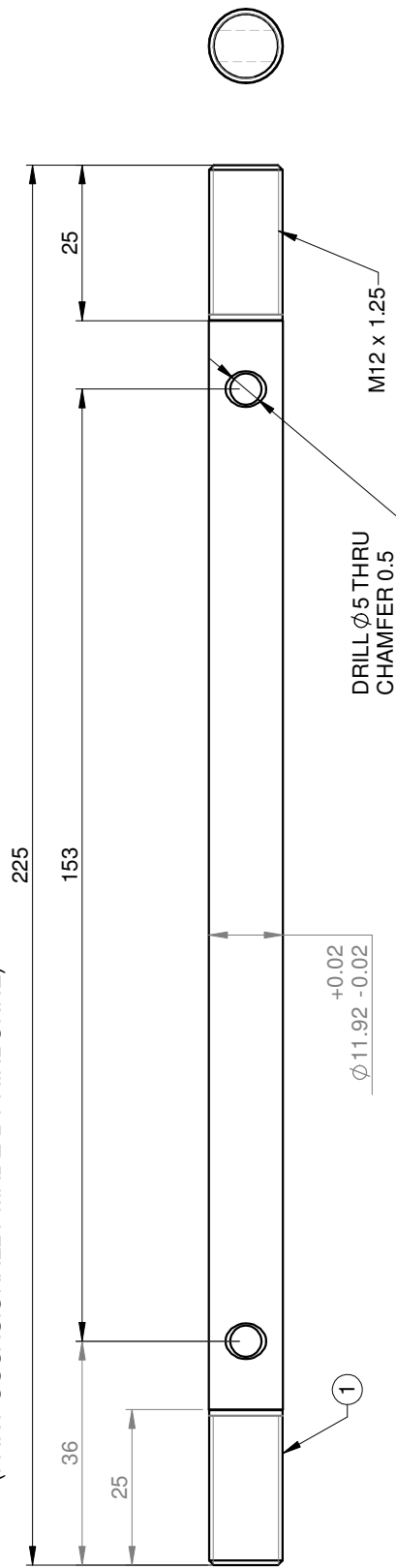
ALL DIMENSIONS IN MILLIMETERS UNLESS STATED OTHERWISE

ITEM NO.	PART NO.	NAME	MATERIAL DESCRIPTION	MATL. NO.	REQD
2	103613	BOLT AXLE GREMICA WHEEL UNDRILLED	8.8 GRADE	NA	225



AXLE BOLT ORGINALLY ON TC A4-4510
 PART #103613 IS A COPRODUCT OF PART NO 102931 SEE A4-6937

AXLE BOLT TYPE 2, PART # 103613
 ZINC PLATED, GOLD PASSIVATED 20um
 AFTER MACHINING
 (PART OCCASIONALLY MADE BY AIRBORNE)



ITEM NO.	PART NO.	NAME	MATERIAL DESCRIPTION	MATL. NO.	REQD
1	102903	BOLT AXLE TYPE 2 FRONT END	BOLT AXLE GREMICA WHEEL	103613	1

Rev	AMENDMENTS	Date
1	AXLE BOLT MOVED FROM A4-4510	4/11/04
2	COPRODUCT NOTE ADDED DCR 2242	20/04/06

LAST ACCESSED: Monday, 9 July 2007
 ALL DIMENSIONS IN MILLIMETERS UNLESS STATED OTHERWISE

AXLE BOLT GREMICA WHEEL

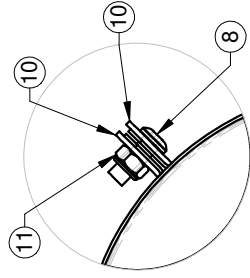
Drawn By	Scale	Date
Cris	1:1	10/08/04

23 OPTIONS – PARACHUTE, RADIO, SERVICE KIT

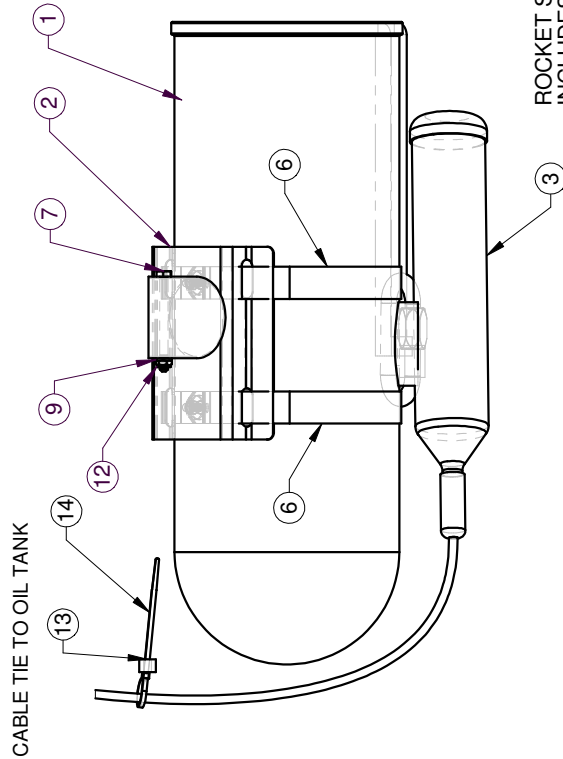
<i>23.1 Parachute Sub-Assembly</i>	-	<i>Drawing # 5904</i>
23.1.1 Parachute Rocket Assembly BRS XT	-	<i>Drawing # 6512</i>
<i>23.2 Radio Sub-Assembly</i>	-	<i>Drawing # 6587</i>
23.2.1 Wiring Loom Radio XT	-	<i>Drawing # 6550</i>
<i>23.3 Lynx Radio Options</i>	-	<i>Drawing # 6588</i>
<i>23.4 Rotax 912 25 Hour Service Kit</i>	-	<i>Drawing # 6714</i>

ITEM NO.	NAME	DWG	PART NO.	QTY.
1	PARACHUTE CANISTER BRS 1050	5902	106709	1
2	PARACHUTE MOUNT BRS XT COMPONENT	5905	105724	1
3	PARACHUTE ROCKET ASSEMBLY BRS XT	6512	106545	1
4	PARACHUTE BRIDLE BRS XT	6518	106551	1
5	CARABINER 12mm x 80 - SCREW TYPE	6522	106555	1
6	PARACHUTE CLAMP BRS	6517	106550	2
7	BOLT AN4-27 a	5450	100010	1
8	SKT BUTTON SCREW M6 x 16	5677	101752	2
9	WASHER AN4	5540	100042	1
10	WASHER SS 1-4 X 3-4"	5540	102018	4
11	NUT NYLOC M 6	5604	102132	2
12	NUT NYLOC AN4 HALF	5561	100035	1
13	HOSE BUSH 6ID x 10L	5726	106720	1
14	CABLE TIE MED	5605	101193	1

NOTE:
PURCHASED PART. PARACHUTE MICROLIGHT BRS 1050 INCLUDES, CANISTER, ROCKET RELEASE HANDLE ETC PART NO. 105524. (INCLUDED IN FOXPRO A4-5904) PARTS SHOWN HERE THAT MAKE UP 105524 ARE REFERENCED IN FOXPRO



FIT THIS END ONTO PARACHUTE MOUNT INTERNAL TUBE ON TRIKE (SEE 5659) ATTACH WITH BOLT AS SHOWN



CABLE TIE TO OIL TANK

WEIGHT INCLUDING RELEASE HANDLE BRACKETS ETC = APPROXIMATELY 12 kg

ROCKET SUB-ASSEMBLY INCLUDES RELEASE HANDLE NOT SHOWN HERE

PARACHUTE BRIDGE SCHEMATIC FOR BOM PURPOSES ONLY

PARACHUTE SUB-ASSEMBLY BRS XT			
Drawn By	Scale	Date	Part No.
Cris	1:5	22/07/03	5904
			SHEET 1 of 2

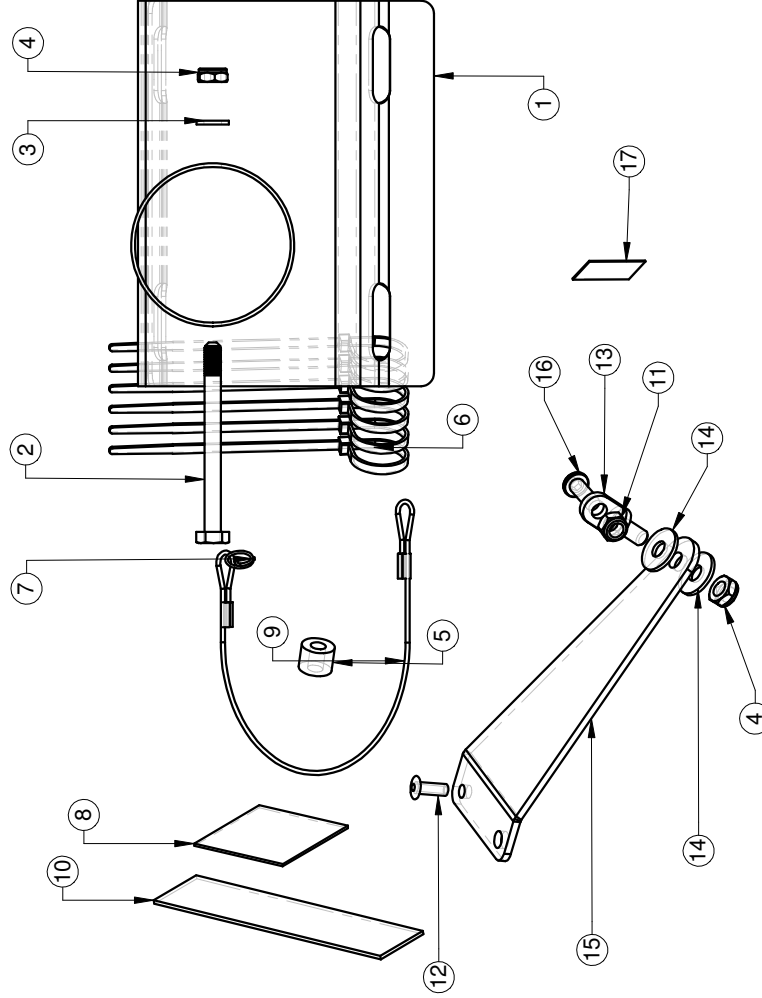
UPDATE GJP FORMS WITH REV CHANGE	
Rev	AMENDMENTS
1	KIT ADDED SHEET 2. PARTS REMOVED 25/03/04
2	DCR 2258. CHANGE EYEBOLT P #

PART NO. 105723 -

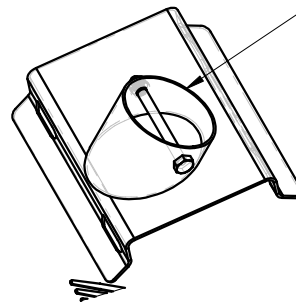
LAST ACCESSED: Monday, 9 July 2007
ALL DIMENSIONS IN MILLIMETERS UNLESS STATED OTHERWISE

PARTS BELOW REQUIRED FOR BRS PARACHUTE MOUNTING KIT
 FOR INSTALLATION INSTRUCTIONS FOR THE BRS RECOVERY SYSTEM
 SEE ENGINEERING REPORT 04-210

ITEM NO.	NAME	DWG	PART NO.	QTY.
1	PARACHUTE MOUNT BRS XT COMPONENT	5905	105724	1
2	BOLT AN4-27 a	5450	100010	1
3	WASHER AN4	5540	100042	1
4	NUT NYLOC AN4 HALF	5561	100035	2
5	HOSE BUSH 6ID x 10L	5726	106720	1
6	CABLE TIE MED	5605	101193	6
7	SPLIT RING 10MM - PIP PIN	5720	105508	1
8	VELCRO LOOP 50x40	6313	106664	1
9	PARACHUTE RELEASE TAG SAFETY CABLE XT	6553	106773	1
10	VELCRO HOOK 25x120 ADHESIVE	6313	106774	1
11	NUT NYLOC M6	5604	102132	1
12	POP RIVET SS 3/16"	5515	102205	1
13	EYEBOLT AN43b- 4a DRILLED 1-4"	6538	108089	1
14	WASHER NYLON M6 XOD	5540	101055	2
15	BRACKET PARACHUTE HANDLE XT	6537	106624	1
16	SKT BUTTON SCREW M6 x 16	5677	101752	1
17	PLACARD EMERGENCY PARACHUTE BRS	5900	106647	1



SEE PARACHUTE KIT INSTALLATION DOCUMENTATION FOR ASSEMBLY INSTRUCTIONS ENGRPT 04/210



FIT THIS END ONTO PARACHUTE MOUNT INTERNAL TUBE ON TRIKE (SEE 5659) ATTACH WITH BOLT AS SHOWN

PARACHUTE MOUNT KIT BRS XT

Rev	AMENDMENTS	Date

PART NO. 106374 -

LAST ACCESSED: Monday, 9 July 2007
 ALL DIMENSIONS IN MILLIMETERS UNLESS STATED OTHERWISE

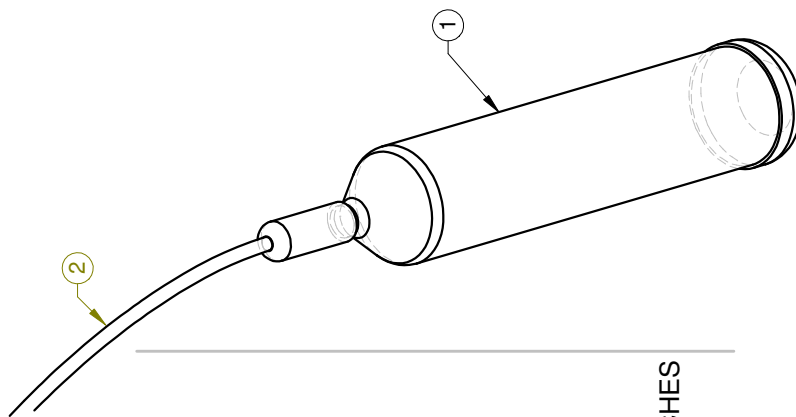
Drawn By	Scale	Date
Cris	1:2.5	06/05/03



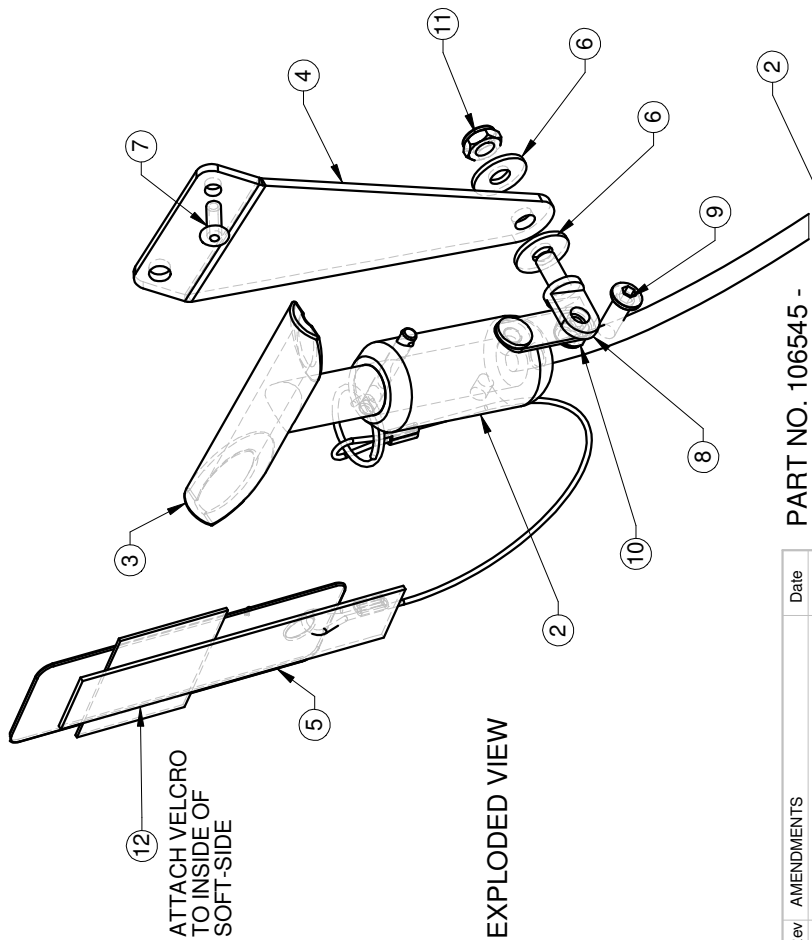
5904
 SHEET 2 of 2

ITEM NO.	NAME	DWG PART NO.	QTY.
1	PARACHUTE ROCKET BRS	6511	106544
2	PARACHUTE RELEASE CABLE BRS	6514	106547
3	PARACHUTE RRELEASE HANDLE BRS	6513	106546
4	BRACKET PARACHUTE HANDLE XT	6537	106824
5	PARACHUTE RELEASE TAG COMPLETE XT	6553	106657
6	WASHER NYLON M6 XOD	5540	101055
7	POP RIVET SS 3/16"	5515	102205
8	EYEBOLT AN43b- 4a DRILLED 1-4"	6538	108089
9	SKT BUTTON SCREW M6 x 16	5677	101752
10	NUT NYLOC M 6	5604	102132
11	NUT NYLOC AN4 HALF	5561	100035
12	VELCRO HOOK 25x120 ADHESIVE	6313	106774

NOTE:
PURCHASED PART. PARACHUTE MICROLIGHT BRS 1050 INCLUDES, CANISTER, ROCKET RELEASE HANDLE ETC PART NO. 105524 (INCLUDED IN FOXPRO A4-5904) PARTS SHOWN HERE THAT MAKE UP 105524 ARE REFERENCED IN FOXPRO



NOTE:
THIS MODEL HAS
DEPENDENT SKETCHES



ATTACH VELCRO
TO INSIDE OF
SOFT-SIDE

EXPLODED VIEW

Rev	AMENDMENTS	Date
1	DCR 2258, CHANGE EYEBOLT P #	05-09-06

PART NO. 106545 -

LAST ACCESSED: Friday, 20 July 2007

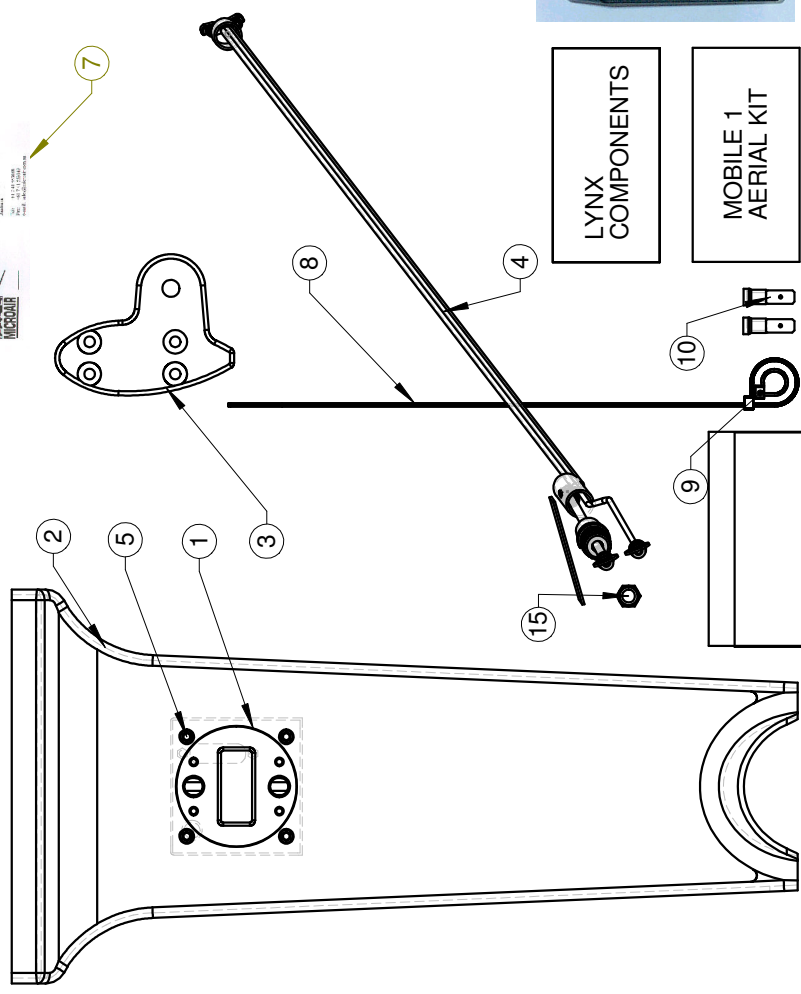
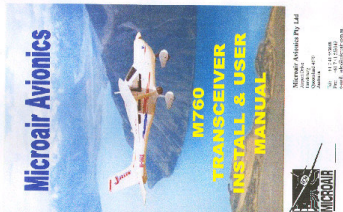
ALL DIMENSIONS IN MILLIMETERS UNLESS STATED OTHERWISE

PARACHUTE ROCKET ASSEMBLY BRS XT

Drawn By	Scale	Date
Cris	1:3	6/08/04

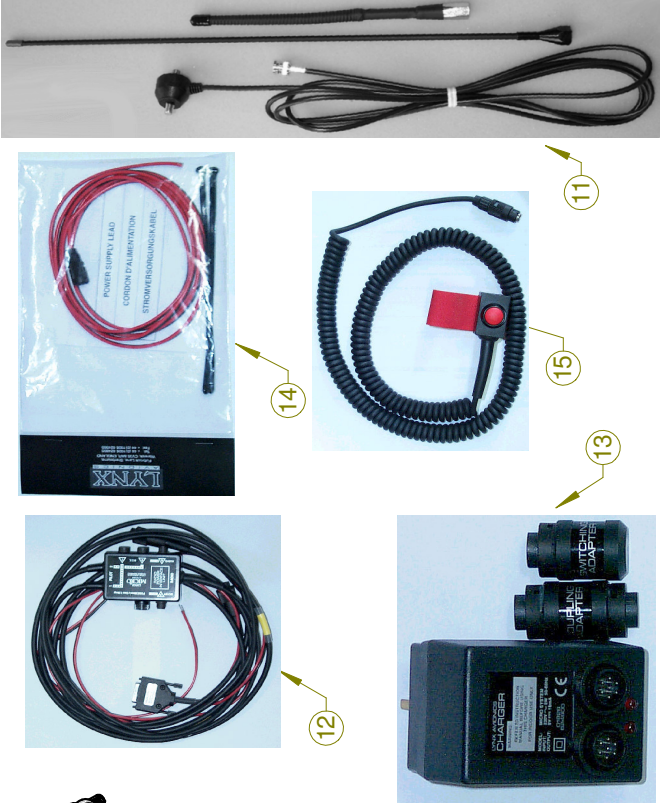
6512
SHEET 1 of 1

ITEM NO.	NAME	DWG PART NO.	QTY.
1	MICROAIR 760 VHF TRANSCEIVER	6273	104470
2	CONSOLE X-XT WITH MICRO-AIR CUTOFF	5756	106239
3	KINGPOST TOP FITTING PLATE AERO - AERIAL	6347	106282
4	WIRING LOOM RADIO XT	6550	106653
5	SKT CAP SCREW SS M 4 X 12	5603	102089
6	MANUAL LYNX RADIO-POWER & GUARANTEE	6930	106747
7	MANUAL MICROAIR M760 & WARRANTY	6930	106747
8	CABLE TIE LONG	5605	101194
9	CABLE TIE (SHORT) 98MM	5605	101192
10	CONNECTOR SPADE MALE YELLOW	6256	102230
11	AERIAL KIT	5429	105032
12	LYNX RADIO INTERFACE AND POWER ADAP	6588	101780
13	LYNX POWER SUPPLY LEAD	6588	101786
14	LYNX PTT SWITCH BAR MOUNT	6588	101781
15	NUT NYLOC M 6 TURNED DOWN (THIN)	5604	106771



LYNX COMPONENTS

MOBILE 1 AERIAL KIT



RADIO M760 OPTION XT912-B	
Drawn By	Simon
Scale	1:3
Date	02/03/03
Part No.	6587
SHEET 1 of 2	

Rev	AMENDMENTS	Date
1	BOM, remove 106238	16/11/06

LAST ACCESSED: Monday, 9 July 2007
ALL DIMENSIONS IN MILLIMETERS UNLESS STATED OTHERWISE



PHOTO SHOWS WIRE ROUTING AFTER INSTALL.

Drawn By Simon	Scale 1:3	Date 02/03/03	AirBorne AUSTRALIA	6587 SHEET 2 of 2
-------------------	--------------	------------------	------------------------------	----------------------

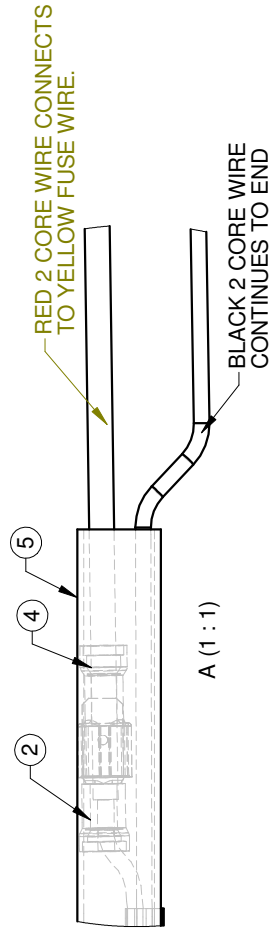
PART NO.

Rev	AMENDMENTS	Date

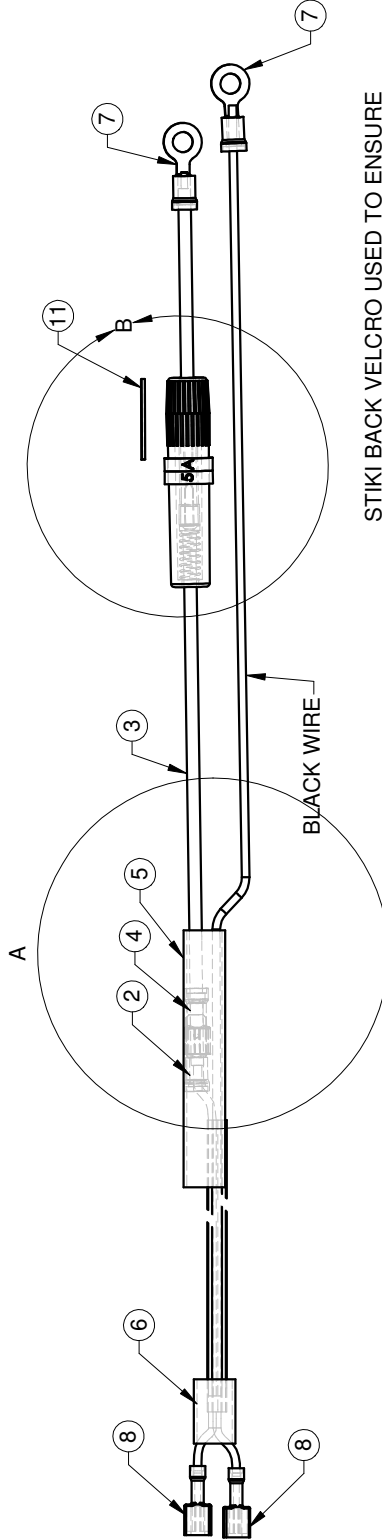
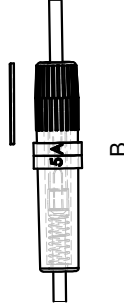
LAST ACCESSED: Monday, 9 July 2007
ALL DIMENSIONS IN MILLIMETERS UNLESS STATED OTHERWISE

ITEM NO.	NAME	DWG	PART NO.	QTY.
1	WIRE 2 CORE X 2270	6549	106651	1
2	CONNECTOR SPADE MALE YELLOW	6256	102230	1
3	FUSE HOLDER INLINE WITH 5A	6259	106650	1
4	CONNECTOR SPADE FEMALE CLR LGE	6257	103900	1
5	HEATSHRINK CLR 13mm x 80	5582	106379	1
6	HEATSHRINK BLK 13mm x 20	5582	106652	1
7	CONNECTOR 6mm HOLE YELLOW	6252	102232	2
8	CONNECTOR SPADE FEMALE BLUE	6254	102235	2
9	HEAT SHRINK MARKER LEDGEND 5	6556	106661	1
10	HEAT SHRINK MARKER LEDGEND A	6556	106662	1
11	VELCRO LOOP 25x50 ADHESIVE	6313	105887	1

INSTRUCTIONS:
 1. YELLOW MALE SPADE CONNECTOR ON RED WIRE
 2. CLEAR FEMALE SPADE CONNECTOR ON YELLOW WIRE



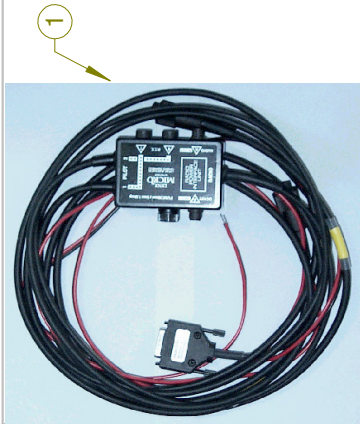
DETAIL OF FUSE HEAT SHRINK MARKERS ALIGNED WITH THE "A" CLOSEST TO THE SOLENOID +VE



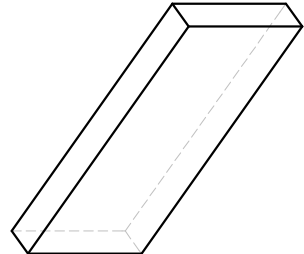
STIKI BACK VELCRO USED TO ENSURE FUSE HOLDER DOES NOT UNSCREW.

Rev	AMENDMENTS	Date	PART NO. 106653 - 0	
			LAST ACCESSED: Friday, 20 July 2007	
			ALL DIMENSIONS IN MILLIMETERS UNLESS STATED OTHERWISE	
WIRING LOOM RADIO XT			Scale	1:2
Drawn By			Date	24-05-04
Simon			AirBorne AUSTRALIA	
			6550 SHEET 1 of 1	

ITEM NO.	PART NO.	NAME	MATERIAL DESCRIPTION	MATL. NO.	REQD
1	106238	INTERCOM SYSTEM LYNX	NA	NA	NA
2	106206	LYNX AUDIO INPUT/OUTPUT LEAD	NA	NA	REQD
3	101791	LYNX DUAL HEADSET PACKAGE	NA	NA	REQD
4	106207	LYNX MOBILE TELEPHONE LEAD NOKIA	NA	NA	REQD
5	101786	LYNX POWER SUPPLY LEAD	NA	NA	REQD
6	101781	LYNX PTT SWITCH BAR MOUNT	NA	NA	REQD
7	101780	LYNX RADIO INTERFACE AND POWER ADAP	NA	NA	REQD
8	101794	LYNX SINGLE HEADSET & HELMET PACKAG	NA	NA	REQD
9	101793	LYNX SINGLE HEADSET PACKAGE	NA	NA	REQD
10	101775	LYNX SWITCHING ADAPTOR	NA	NA	REQD
11	106237	MICROAIR RADIO OPTION LYNX HEADSETS	NA	NA	REQD



SOME COMPONENTS DO NOT HAVE PHOTOS AT THIS STAGE



VIRTUAL PARTS

Rev	AMENDMENTS	Date	Drawn By	Scale	Date	Part No.	Sheet
			Simon	1:2	03-12-04	6588	1 of 1

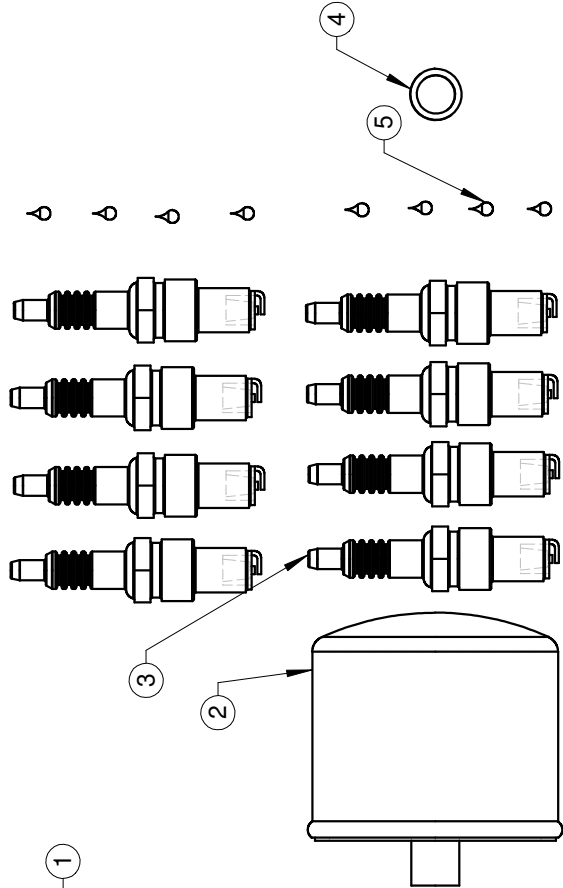
PART NO. SEE BOM

LAST ACCESSED: Monday, 9 July 2007
ALL DIMENSIONS IN MILLIMETERS UNLESS STATED OTHERWISE

LYNX RADIO OPTION COMPONENTS (ALL)



ITEM NO.	NAME	DWG PART NO.	QTY.
1	OIL SHELL ADVANCE 15W-50	6598	1
2	ENGINE 912 OIL FILTER	5815	1
3	SPARKPLUG NGK DCPR7E	6641	8
4	WASHER 18X12X1 OIL TANK XT912	5849	1
5	HEAT TRANSFER PASTE	5637	8



PART NO. 106907

Rev	AMENDMENTS	Date
1	CHG TO 8 SPARK PLUGS	09-07-07

LAST ACCESSED: Monday, 9 July 2007
ALL DIMENSIONS IN MILLIMETERS UNLESS STATED OTHERWISE

ROTAX 912 100HR SERVICE KIT

Drawn By	Scale	Date
Simon	1:2	03-02-05

6714
SHEET 1 of 1

24 RETROFIT KITS

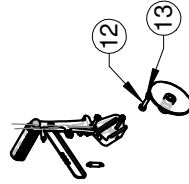
- 24.1 RETRO KIT XTMK1 STD TO MK2 DISK - Drawing # 7457
24.2 RETRO KIT XTMK2 STD TO MK2 DISK - Drawing # 7465

ITEM NO.	NAME	DWG PART NO.	QTY.
1	BRAKE LEVER SUB-ASSEM XT GREY DISK BRAKE	7362	108464
2	DISK BRAKE KIT (WIP) FREE BIRD	7344	108469
3	DISK BRAKE LINE ASSEMBLY	7422	108586
4	BUSH ALLOY 180D 13ID X 10L	5453	108588
5	Bolt AN3-21 a	5449	101184
6	NUT NYLOC AN3 FULL	5535	100051
7	WASHER AN3	5540	100049
8	SKT CSK SCREW UNF 1-4" x 1"	5568	102062
9	NUT NYLOC AN4 FULL	5535	100034
10	BRAKE FLUID CASTROL TQ DEXRON III	7423	108510
11	CABLE TIE MED	5605	101193
12	BOLT AN5-15 a	5493	100015
13	NUT NYLOC AN5 HALF	5561	100037
14	COMPRESSION STRUT XT MK2 808MM	7375	108455
15	REAR STRUT FAIRED EDGE XT MK2 715MM	7374	108448
16	REAR STRUT FAIRED DRAG LINK EDGE XT MK2	7373	108449
17	HUB ASM REAR EDGE XT MK2 RHS	7391	108453
18	HUB ASM REAR EDGE XT MK2 LHS	7392	108450
19	WHEEL RIM 6IN FOR DISK BRAKES ASM	7458	108674
20	SPACER DRUM BRAKE BLANKING PLATE 38.4MM	7355	108461
21	BUSH ALLOY OD 25 ID 19.25 X 24L	5453	108462
22	BRAKE DRUM BLANKING PLATE DISC	7354	108460
23	SPAT MOUNT BRACKET XT MK2 FIN LHS	7352	108440
24	SKT BUTTON SCREW M5 x 16	5677	103182
25	WASHER SS 3-16 X 7-16" 304 FLAT	5540	100055
26	NUT NYLOC M 5 FULL	5604	101365
27	SPAT MOUNT BRACKET XT MK2 FIN RHS	7352	108441
28	WASHER AN4	5540	100042
29	WASHER AN5	5540	100043
30	NUT NYLOC AN4 HALF	5561	100035
31	NUT NYLOC AN5 FULL	5535	100036
32	BRAKE KIT DISK MANUAL PAGES	7462	108680
33	CABLE TIE X-LONG	5605	101194
34	LOCTITE 567 Thread Sealant	5637	103705
35	SCOURER GRIT PLUG MASTER CYL VENT 8.8MM	7468	108626

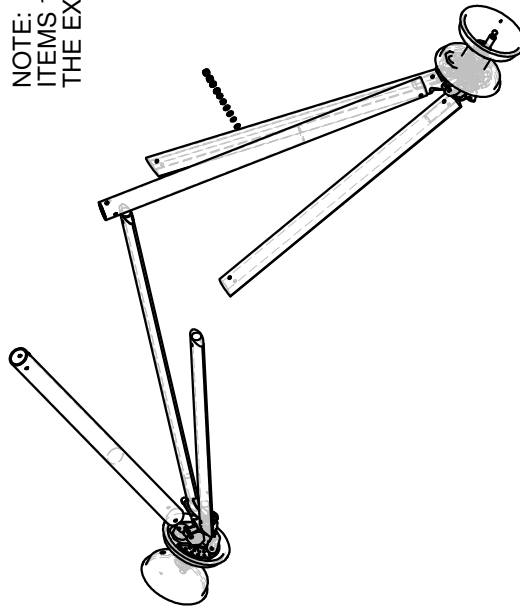
NOTE:

1. DETAILED ASSEMBLY DRAWINGS AND INSTRUCTIONS ARE PROVIDED AS ENGINEERING REPORT # 07040ds.doc THIS REPORT SHOULD BE PRINTED AND SUPPLIED TO THE CUSTOMER WITH EACH KIT.
2. APPROX 200ml OF BRAKE FLUID IS USED TO FILL THE BRAKE SYSTEM, THIS IS REFLECTED IN THE BOM.
3. THE FINAL FOUR ITEMS ON THE BILL OF MATERIALS ARE PROVIDED AS SPARES AND MAY NOT BE NEEDED. NYLOC NUTS MAY BE REUSED ONCE.
4. IT IS SUGGESTED THAT ONE SIDE SHOULD BE DONE AT A TIME WHERE POSSIBLE.
5. TAKE PHOTOS PRIOR TO DISASSEMBLY TO AID IN REASSEMBLY IF NECESSARY.
6. INSTALLATION TO BE PERFORMED BY PERSON(S) WITH APPROPRIATE QUALIFICATIONS FOR THE APPLICABLE CERTIFICATION TYPE AND GOVERNING BODY.

IF IN DOUBT CONTACT THE MANUFACTURER.



NOTE:
ITEMS 12 AND 13 AS SHOWN REPLACE THE EXISTING BOLT ON THE FORK



NOTE:
OWNERS OF TRIKE SERIAL NUMBERS 1 THRU 179 MANUFACTURED PRIOR TO MAY 2007 FOR XT 912 AND SERIAL NUMBERS 1 THRU 41 MANUFACTURED PRIOR TO APRIL 2007 FOR XT 582 REQUIRE THIS KIT TO UPGRADE TO DISK BRAKES. OWNERS OF "MK2" TRIKES AFTER THESE SERIAL NUMBERS SHOULD REFER TO DWG # 7465 PART # 108684 TO UPGRADE TO DISK BRAKES.

RETRO KIT XTMK1 STD TO MK2 DISK	
Drawn By Simon	Date 26-06-07
Scale 1:15	Part No. 7457
SHEET 1 of 1	

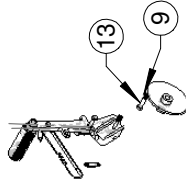
Rev	AMENDMENTS	Date

PART NO. 108673

LAST ACCESSED: Monday, 9 July 2007
ALL DIMENSIONS IN MILLIMETERS UNLESS STATED OTHERWISE

NOTE:
 1. DETAILED ASSEMBLY DRAWINGS AND INSTRUCTIONS ARE PROVIDED AS ENGINEERING REPORT # 07040ds.doc THIS REPORT SHOULD BE PRINTED AND SUPPLIED TO THE CUSTOMER WITH EACH KIT.
 2. APPROX 200ml OF BRAKE FLUID IS USED TO FILL THE BRAKE SYSTEM, THIS IS REFLECTED IN THE BOM.
 3. SOME SPARE NUTS AND BOLTS ON THE BILL OF MATERIALS ARE PROVIDED AS SPARES AND MAY NOT BE NEEDED. NYLOC NUTS MAY BE REUSED ONCE.
 4. IT IS SUGGESTED THAT ONE SIDE SHOULD BE DONE AT A TIME WHERE POSSIBLE.
 5. TAKE PHOTOS PRIOR TO DISASSEMBLY TO AID IN REASSEMBLY IF NECESSARY.
 6. INSTALLATION TO BE PERFORMED BY PERSON(S) WITH APPROPRIATE QUALIFICATIONS FOR THE APPLICABLE CERTIFICATION TYPE AND GOVERNING BODY.

IF IN DOUBT CONTACT THE MANUFACTURER.



NOTE:
 ITEMS 9 AND 13 AS SHOWN REPLACE THE EXISTING BOLT ON THE FORK

NOTE:
 OWNERS OF TRIKE SERIAL NUMBERS HIGHER THAN 179 MANUFACTURED AFTER MAY 2007 FOR XT 912 AND SERIAL NUMBERS HIGHER THAN 41 MANUFACTURED AFTER APRIL 2007 FOR XT 582 REQUIRE THIS KIT TO UPGRADE TO DISK BRAKES. OWNERS OF "MK1" TRIKES PRIOR TO THESE SERIAL NUMBERS SHOULD REFER TO DWG # 7457 PART # 108673 TO UPGRADE TO DISK BRAKES.

ITEM NO.	NAME	DWG PART NO.	QTY.
1	BRAKE LEVER SUB-ASSEM XT GREY DISK BRAKE	7362 108464	1
2	DISK BRAKE KIT (WIP) FREE BIRD	7344 108469	1
3	DISK BRAKE LINE ASSEMBLY	7422 108586	1
4	BUSH ALLOY 180D 13ID X 10L	5453 108588	1
5	SKT CSK SCREW UNF 1-4" x 1"	5568 102062	2
6	NUT NYLOC AN4 FULL	5535 100034	2
7	BRAKE FLUID CASTROL TO DEXRON III	7423 108510	1
8	CABLE TIE MED	5605 101193	2
9	NUT NYLOC AN5 HALF	5561 100037	1
10	SPACER DRUM BRAKE BLANKING PLATE 38.4MM	7355 108461	1
11	BUSH ALLOY OD 25 ID 19.25 X 24L	5453 108462	1
12	BRAKE DRUM BLANKING PLATE DISC	7354 108460	1
13	BOLT AN5-15 a	5493 100015	1
14	Bolt AN3-21 a	5449 101184	1
15	NUT NYLOC AN3 FULL	5535 100051	1
16	WASHER AN3	5540 100049	3
17	SCOURER GRIT PLUG MASTER CYL VENT 8.8MM	7468 108626	1
18	BRAKE KIT DISK MANUAL PAGES	7462 108680	1
19	CABLE TIE X-LONG	5605 101194	4
20	LOCTITE 567 Thread Sealant	5637 103705	1

RETRO KIT XTMK2 STD TO MK2 DISK			
Drawn By	Scale	Date	7465
Simon	1:15	06-07-07	SHEET 1 of 1

Rev	AMENDMENTS	Date

PART NO. 108684

LAST ACCESSED: Monday, 9 July 2007
 ALL DIMENSIONS IN MILLIMETERS UNLESS STATED OTHERWISE